

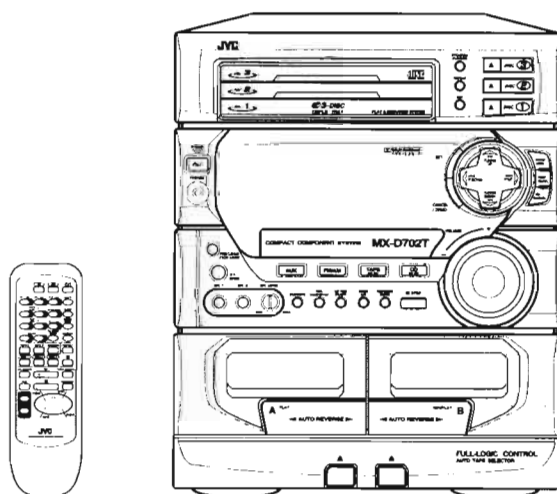
CA-D702T
CA-D752TR

JVC

SERVICE MANUAL

COMPACT COMPONENT SYSTEM

CA-D702T / SP-D702 CA-D752TR / SP-D752



Area Suffix	
CA-D702T	
UT	Taiwan
US	Singapore
UB	Hong Kong
UP	Korea
UX	Saudi arabia
U	Universal
A	Australia
CA-D752TR	
B	U.K
E	Continental Europe
EN	Northern Europe
EE	Eastern Europe

R-D-S EON

COMPACT disc
DIGITAL AUDIO

Contents

Safety Precaution	1-2	Maintenance of Laser Pickup	2-30
Instructions	1-5~28	Replacement of Laser Pickup	2-30
Description of Major ICs	2-1	Adjustment Procedures	2-31
Internal Connection of FL Display	2-15	Block Diagrams	2-35
Disassembly Procedures	2-16	Schematic Diagrams	2-37
Flow of Functional Operation		Printed Circuit Board	2-49~54
Unit TOC Read	2-29	Parts List	3-1~27

Safety Precautions

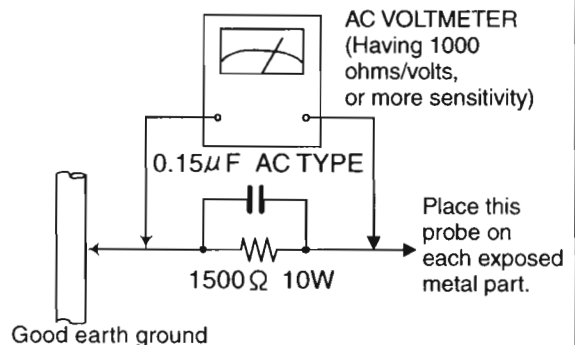
1. This design of this product contains special hardware and many circuits and components specially for safety purposes. For continued protection, no changes should be made to the original design unless authorized in writing by the manufacturer. Replacement parts must be identical to those used in the original circuits. Services should be performed by qualified personnel only.
2. Alterations of the design or circuitry of the product should not be made. Any design alterations of the product should not be made. Any design alterations or additions will void the manufacturer's warranty and will further relieve the manufacture of responsibility for personal injury or property damage resulting therefrom.
3. Many electrical and mechanical parts in the products have special safety-related characteristics. These characteristics are often not evident from visual inspection nor can the protection afforded by them necessarily be obtained by using replacement components rated for higher voltage, wattage, etc. Replacement parts which have these special safety characteristics are identified in the Parts List of Service Manual. Electrical components having such features are identified by shading on the schematics and by (Δ) on the Parts List in the Service Manual. The use of a substitute replacement which does not have the same safety characteristics as the recommended replacement parts shown in the Parts List of Service Manual may create shock, fire, or other hazards.
4. The leads in the products are routed and dressed with ties, clamps, tubings, barriers and the like to be separated from live parts, high temperature parts, moving parts and/or sharp edges for the prevention of electric shock and fire hazard. When service is required, the original lead routing and dress should be observed, and it should be confirmed that they have been returned to normal, after re-assembling.
5. Leakage current check (Electrical shock hazard testing)

After re-assembling the product, always perform an isolation check on the exposed metal parts of the product (antenna terminals, knobs, metal cabinet, screw heads, headphone jack, control shafts, etc.) to be sure the product is safe to operate without danger of electrical shock. Do not use a line isolation transformer during this check.

 - Plug the AC line cord directly into the AC outlet. Using a "Leakage Current Tester", measure the leakage current from each exposed metal parts of the cabinet, particularly any exposed metal part having a return path to the chassis, to a known good earth ground. Any leakage current must not exceed 0.5mA AC (r.m.s.)
 - Alternate check method

Plug the AC line cord directly into the AC outlet. Use an AC voltmeter having, 1,000 ohms per volt or more sensitivity in the following manner. Connect a $1,500\Omega$ 10W resistor paralleled by a $0.15\mu\text{F}$ AC-type capacitor between an exposed metal part and a known good earth ground. Measure the AC voltage across the resistor with the AC voltmeter.

Move the resistor connection to each exposed metal part, particularly any exposed metal part having a return path to the chassis, and measure the AC voltage across the resistor. Now, reverse the plug in the AC outlet and repeat each measurement. voltage measured Any must not exceed 0.75 V AC (r.m.s.). This corresponds to 0.5 mA AC (r.m.s.).




Warning

1. This equipment has been designed and manufactured to meet international safety standards.
2. It is the legal responsibility of the repairer to ensure that these safety standards are maintained.
3. Repairs must be made in accordance with the relevant safety standards.
4. It is essential that safety critical components are replaced by approved parts.
5. If mains voltage selector is provided, check setting for local voltage.


CAUTION Burrs formed during molding may be left over on some parts of the chassis. Therefore, pay attention to such burrs in the case of performing repair of this system.

Safety Precautions (U.K only)

1. This design of this product contains special hardware and many circuits and components specially for safety purposes. For continued protection, no changes should be made to the original design unless authorized in writing by the manufacturer. Replacement parts must be identical to those used in the original circuits.
2. Any unauthorised design alterations or additions will void the manufacturer's guarantee ; furthermore the manufacturer cannot accept responsibility for personal injury or property damage resulting therefrom.
3. Essential safety critical components are identified by () on the Parts List and by shading on the schematics, and must never be replaced by parts other than those listed in the manual. Please note however that many electrical and mechanical parts in the product have special safety related characteristics. These characteristics are often not evident from visual inspection. Parts other than specified by the manufacturer may not have the same safety characteristics as the recommended replacement parts shown in the Parts List of the Service Manual and may create shock, fire, or other hazards.
4. The leads in the products are routed and dressed with ties, clamps, tubings, barriers and the like to be separated from live parts, high temperature parts, moving parts and/or sharp edges for the prevention of electric shock and fire hazard. When service is required, the original lead routing and dress should be observed, and it should be confirmed that they have been returned to normal, after re-assembling.

Warning

1. Service should be performed by qualified personnel only.
2. This equipment has been designed and manufactured to meet international safety standards.
3. It is the legal responsibility of the repairer to ensure that these safety standards are maintained.
4. Repairs must be made in accordance with the relevant safety standards.
5. It is essential that safety critical components are replaced by approved parts.
6. If mains voltage selector is provided, check setting for local voltage.

 **CAUTION** Burrs formed during molding may be left over on some parts of the chassis. Therefore, pay attention to such burrs in the case of performing repair of this system.

Important for Laser Products

1.CLASS 1 LASER PRODUCT

2.DANGER : Invisible laser radiation when open and interlock failed or defeated. Avoid direct exposure to beam.

3.CAUTION : There are no serviceable parts inside the Laser Unit. Do not disassemble the Laser Unit. Replace the complete Laser Unit if it malfunctions.

4.CAUTION : The compact disc player uses invisible laserradiation and is equipped with safety switches which prevent emission of radiation when the drawer is open and the safety interlocks have failed or are defeated. It is dangerous to defeat the safety switches.

5.CAUTION : If safety switches malfunction, the laser is able to function.

6.CAUTION : Use of controls, adjustments or performance of procedures other than those specified herein may result in hazardous radiation exposure.

VARNING : Osynlig laserstrålning är denna del är öppnad och spårren är urkopplad. Betrakta ej strålen.
VARO : Avattaessa ja suojalukitus ohitettaessa olet alltiina näkymättömälle lasersäteilylle. Älä katso säteeseen.

ADVARSEL : Usynlig laserstrålning ved åbning , når sikkerhedsafbrydere er ude af funktion. Undgå udsættelse for stråling.
ADVARSEL : Usynlig laserstrålning ved åbning,når sikkerhetsbryteren er avslott. unngå utsettelse for stråling.

REPRODUCTION AND POSITION OF LABELS

WARNING LABEL

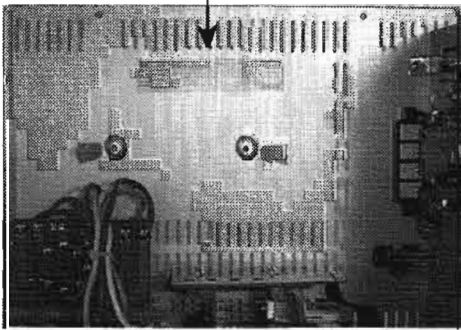
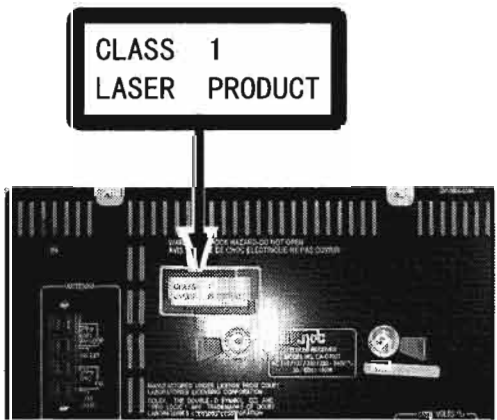
(Except for the U.S.A.and Canada and UP)

DANGER : Invisible laser radiation when open and interlock or defeated.
 AVOID DIRECT EXPOSURE TO BEAM (e)

VARO : Avattaessa ja suojalukitus ohitettaessa olet alltiina näkymättömälle lasersäteilylle. Älä katso säteeseen. (d)


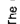
VARNING : Osynlig laserstrålning är denna del är öppnad och spårren är urkopplad. Betrakta ej strålen. (s)



ADVARSEL : Usynlig laserstrålning ved åbning , når sikkerhedsafbrydere er ude af funktion. Undgå udsættelse for stråling. (t)







Instructions


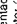
Warnings, Cautions and Others / Warnung, Achtung und sonstige Hinweise / Mises en garde, précautions et indications diverses / Waarschuwingen, voorzorgen en andere mededelingen / Avisos, precauciones y otras notas / Avvertenze e precauzioni da osservare



Caution —  **switch!**
Disconnect the mains plug to shut the power off completely. The  switch in any position does not disconnect the mains line. The power can be remote controlled.

Achtung —  **Schalter!**
Den Netzstecker aus der Steckdose ziehen, um die Stromversorgung vollkommen zu unterbrechen. Der Schalter  unterbricht in keiner Stellung die Stromversorgung vollkommen. Die Stromversorgung kann mit der Fernbedienung ein- und ausgeschaltet werden.

Attention — **Commutateur** 
Déconnecter la fiche de secteur pour couper complètement le courant. Le commutateur  ne coupe jamais complètement la ligne de secteur, quelle que soit sa position. Le courant peut être télécommandé.

Voorzichtig —  **schakelaar!**
Om de stroomvoorzij te schakelen, trek u de stekker uit het stopcontact. Anders zal er altijd een geringe hoeveelheid stroom naar het apparaat lopen, ongeacht de stand van de  schakelaar. U kunt het apparaat ook met de afstandsbediening aan- en uitschakelen.

Precaución — **Interruptor** 
Desconectar el cable de alimentación para desactivar la alimentación totalmente. Cualquier que sea la posición de ajuste del interruptor  la alimentación no es cortada completamente. La alimentación puede ser controlada remotamente.

Attenzione — **L'interruttore** 
Disinserire la spina del cavo di alimentazione dalla presa della rete elettrica per staccare completamente l'alimentazione. L'interruttore  elettrica in nessuna posizione stacca la linea di alimentazione elettrica principale. È possibile il controllo remoto dell'alimentazione.

IMPORTANT for the U.K.
DO NOT cut off the mains plug from this equipment. If the plug fitted is not suitable for the power points in your home or the cable is too short to reach a power point, then obtain an appropriate safety approved extension lead or consult your dealer.
BE SURE to replace the fuse only with an identical approved type, as originally fitted.
If nevertheless the mains plug is cut off ensure to remove the fuse and dispose of the plug immediately, to avoid a possible shock hazard by inadvertent connection to the mains supply.
If this product is not supplied fitted with a mains plug then follow the instructions given below:
IMPORTANT:
DO NOT make any connection to the terminal which is marked with the letter E or by the safety earth symbol or coloured green or green-and-yellow.
The wires in the mains lead on this product are coloured in accordance with the following code:
Blue . . . Neutral
Brown . . . Live
As these colours may not correspond with the coloured markings identifying the terminals in your plug proceed as follows:
The wire which is coloured blue must be connected to the terminal which is marked with the letter N or coloured black.
The wire which is coloured brown must be connected to the terminal which is marked with the letter L or coloured red.
IF IN DOUBT - CONSULT A COMPETENT ELECTRICIAN.

Per l'Italia:
*Si dichiara che il questo prodotto di marca JVC è conforme alle prescrizioni del Decreto Ministeriale n.548 del 28/08/95 pubblicato sulla Gazzetta Ufficiale della Repubblica Italiana n.301 del 28/12/95.

VOORZICHTIG
Ter verminding van gevaar voor brand, elektrische schokken, enz.:
1. Verwijder geen schroeven, paneelen of de behuizing.
2. Sta niet losser het bord aan 'reghen of vocht'.

PRECAUCIÓN
Para reducir el riesgo de choques eléctricos, incendios, etc.:
1. No extraigas los tornillos, los cubiertas ni la caja.
2. No expongas este aparato a la lluvia o a la humedad.

ATTENZIONE
Per ridurre il rischio di shock elettrici, incendi, ecc.:
1. Non togliete viti, coperchi o la scatola.
2. Non esponete l'apparecchio alla pioggia e all'umidità.

CAUTION
To reduce the risk of electrical shocks, fire, etc.:
1. Do not remove screws, covers or cabinet.
2. Do not expose this appliance to rain or moisture.

ACHTUNG
Zur Minderung von elektrischen Schlägen, Brandgefahr, usw.:
1. Keine Schrauben lösen oder Abdeckungen entfernen und das Gehäuse nicht öffnen.
2. Dieses Gerät weder Regen noch Feuchtigkeit aussetzen.

ATTENTION
Afin d'éviter tout risque d'électrocution, d'incendie, etc.:
1. Ne pas enlever les vis ni les panneaux et ne pas ouvrir le coffret de l'appareil.
2. Ne pas exposer l'appareil à la pluie ni à l'humidité.

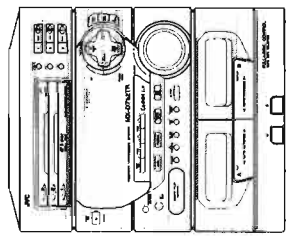
G-1



JVC

COMPACT COMPONENT SYSTEM
KOMPAKT-KOMPONENTEN-SYSTEM
SYSTEME DE COMPOSANTS COMPACT
SISTEMAS DE COMPONENTES COMPACTOS
IMPIANTO A COMPONENTI COMPATTO

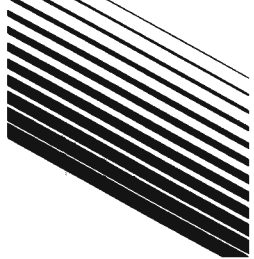
CA-D752TR



INSTRUCTIONS
BEDIENUNGSANLEITUNG
MANUEL D'INSTRUCTIONS
GEBRUIKSAANWIJZING
MANUAL DE INSTRUCCIONES
ISTRUZIONI

For Customer Use:
Enter below the Model No. and Serial No. which are located either on the rear bottom or side of the cabinet. Retain this information for future reference.
Model No. _____
Serial No. _____

GVT0004-006A (E)



IMPORTANT FOR LASER PRODUCTS/WICHTIGER HINWEIS FÜR LASER-PRODUKTE / IMPORTANT POUR LES PRODUITS LASER / BELANGRIJKE INFORMATIE VOOR LASER-PRODUCTEN / IMPORTANTE PARA LOS PRODUCTOS LASER / IMPORTANTE PER I PRODOTTI LASER

REPRODUCTION OF LABELS/ANBRINGINGSORTE FÜR LASER-PRODUKTE/REPRODUCTION DES ETIQUETTES/VERKLARING VAN DE LABELS/REPRODUCTION DE ETIQUETAS/RIPRODUZIONE DELLE ETICHETTE

- 1 CLASSIFICATION LABEL, PLACED ON REAR ENCLOSURE
- 1 KLASSIFIKATIONSETIKETTE AN DER RUCKSEITE
- 1 ETIQUETTE D'AVERTISSEMENT PLACÉE A L'INTERIEUR DE L'APPAREIL
- 1 KLASSIFIKATIELABEL OP DE ACHTERZIJDE VAN HET APPARAAT
- 1 ETIQUETA DE ADVERTENCIA, PEGADA EN EL INTERIOR DE LA UNIDAD
- 1 ETICHETTA DI AVVERTENZA, SITUATA ALL'INTERNO DELL'APPARECCHIO



Voorzichtig: Goede ventilatie vereist
Om brand elektrische schokken en beschadiging te voorkomen, moet u het toestel als volgt opstellen:

- 1 Voorkant: Geen belemmeringen en voldoende ruimte.
- 2 Zijkanten/boven-/onderkant: Geen belemmering op grondplaatjes. Voldoende ventilatieruimte voorzien door het toestel op een onderstel met een hoogte van 10 cm of meer te plaatsen.

Precaución: ventilación correcta

Para evitar el riesgo de descargas eléctricas e incendio y prevenir posibles daños, instale el equipo en un lugar que cumpla los siguientes requisitos:

- 1 Parte frontal: Sin obstrucciones, espacio abierto.
- 2 Lado superior/inferior/posterior: Sin obstrucciones, espacio abierto en las áreas mostradas por las dimensiones de la siguiente figura.
- 3 Parte inferior: Situe el equipo sobre una superficie nivelada. Mantenga un espacio adecuado para permitir el paso del aire y una correcta ventilación, situando el equipo sobre un soporte de 10 o más cm de altura.

Attenzione: Per una corretta ventilazione

Per prevenire il rischio di scosse elettriche e di incendio ed evitare possibili danni, collocare le apparecchiature nel modo seguente:

- 1 Parte anteriore: Nessun ostacolo e spazio libero.
- 2 Lato superiore/inferiore: Lasciare libere le zone indicate dalle dimensioni di seguito.
- 3 Parte inferiore: Collocare su una superficie piana. Consentire un'adeguata ventilazione dell'impianto appoggiandolo su un tavolino/alcolimeno 10 cm.

Caution: Proper Ventilation
To avoid risk of electric shock and fire, and to prevent damage, locate the apparatus as follows:

- 1 Front: No obstructions and open spacing.
- 2 Sides/Top/Back: No obstructions on ground plates. Provide sufficient ventilation space by placing on a stand with a height of 10 cm or more.

Achtung: Ausreichende Belüftung

Zur Vermeidung von elektrischen Schlägen, Feuer und sonstigen Schäden sollte das Gerät unter folgenden Bedingungen aufgestellt werden:

- 1 Vorderseite: Hindernisse und gut zugänglich.
- 2 Seiten- und Rückwände: Hindernisse in allen gegebenen Abständen (s. Abbildung).
- 3 Unterseite: Die Stellefläche muß absolut eben sein. Sorgen Sie für ausreichende Luftzufuhr durch Aufstellung auf einem Stand mit mindestens 10 cm Höhe.

Attention: Aération correcte

Pour prévenir tout risque de décharge électrique ou d'incendie et éviter toute détérioration, installez l'appareil de la manière suivante:

- 1 Avant: Bien dégagé de tout objet.
- 2 Côtés/dessus/dessous: Assurez-vous que rien ne bloque les espaces indiqués sur le schéma ci-dessous.
- 3 Dessous: Posez l'appareil sur une surface plane et horizontale. Veillez à ce que sa ventilation correcte puisse se faire en le plaçant sur un support d'au moins dix centimètres de hauteur.

- 1. KLAS 1 LASER-PRODUKT
- 2. GEVAARLUK: Onzichtbare laserstraling wanneer open en de beveiliging laat of ongeschiktheid is. Voorkom het direct blootstaan van de ogen.
- 3. VOORZICHTIG: De bovenkant niet openen. Binnenin het toestel bevinden zich geen door de gebruiker te repareren onderdelen; laat onderhoud over aan bekwaaam vakpersoneel.

- 1. CLASS 1 LASER PRODUCT
- 2. DANGER: Invisible laser radiation when open and interlock failed or defeated. Avoid direct exposure to beam, eye or user sensitive areas. Do not open the Unit, leave all servicing to qualified service personnel.
- 3. ATTENTION: Radiation laser invisible quand l'appareil est ouvert et que le verrouillage est en panne ou désactivé. Éviter une exposition directe au rayon.

- 1. LASER-PRODUKT DER KLASSE 1
- 2. GEFAHR: Unsichtbare Laserstrahlung bei Öffnung und fehlerhafter oder abgeschalteter Sperr-Direkten Kontakt mit dem Strahl vermeiden!
- 3. ACHTUNG: Das Gehäuse nicht öffnen. Das Gerät enthält kennzeichn. Teile, die vom Benutzer gewartet werden können. Überlassen Sie Wartungsarbeiten bitte qualifizierten Kundendienstfachleuten.

- 1. PRODOTTO LASER CLASSE 1
- 2. PERICOLO: Radiazione laser invisibile quando l'apparecchio è aperto ed il dispositivo di sicurezza è guasto o disattivato. Evitare l'esposizione diretta ai raggi laser.
- 3. ATTENZIONE: Utilizzare a l'interno di questo apparecchio, lasciare tutti i controlli a personale qualificato

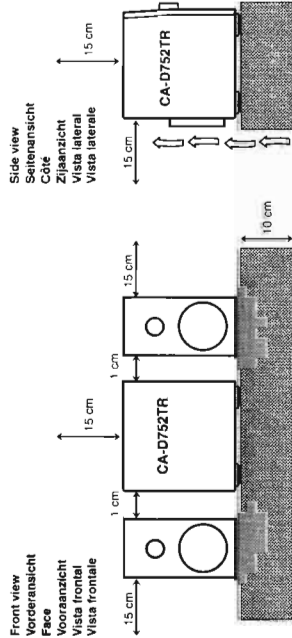


Table of Contents

Features	1	Using the CD Player	23
How This Manual Is Organized	1	Loading CDs	24
IMPORTANT PRECAUTIONS	1	Basics of Using the CD Player	24
Getting Started	3	Continuous Play	24
Accessories	3	Playing a CD	24
How to Put Batteries in the Remote Control	3	Selecting a Track	25
Using the Remote Control	3	Locating a Track with the Remote Control Directly	25
Connecting the FM Antenna	4	Fast Forward / Reverse	25
Connecting the AM (MW/LW) Antenna	4	Changing Discs While Playing	25
Connecting the Speakers	5	Programming the Playing Order of the Tracks	26
Connecting the Optional Speakers	5	Checking the Program	27
Connecting Auxiliary Equipment	6	Changing the Program	27
COMPU PLAY	7	Random Play	27
Common Operations	8	Repeating a Selection or the Discs	28
DEMO Mode	8	Tray Lock Function	28
Setting the Clock	9	Locking the Trays	28
Turning the Power On and Off	9	Unlocking the Trays	28
Turning the System On	9	Using the Cassette Deck (Playing)	29
Adjusting the Volume	10	Regular Play	30
Balance Adjustment	10	Fast Left and Fast Right	30
Reinforcing the Bass Sound	10	Music Scan	30
Sound Modes	11	Finding the Beginning of the Current Selection	30
Customizing a Sound Mode	11	Finding the Beginning of the Next Selection	30
When a Rear Speaker is Connected	12	Reverse Mode	31
Adjusting the Rear Speaker Level	12	Using the Cassette Deck (Recording)	32
Listening to Auxiliary Equipment	13	Things to Know before You Start Recording	32
Dolby Surround	14	Standard Recording	33
Preparing the Dolby Surround	15	Recording AM Station to Tape	34
Getting Ready To Use Dolby Pro Logic	16	CD Direct Recording	34
Speaker Arrangements for Dolby Pro Logic	16	Auto Edit Recording	34
Setting-up Dolby Pro Logic	16	Tape to Tape Recording (Dubbing)	35
Getting Ready To Use Dolby 3 Channel Logic	17	How to Use the DUBBING Button	35
Speaker Arrangements for Dolby 3 Channel Logic	17	Using the Timer	36
Setting-up Dolby 3ch Logic	17	Setting the Daily Timer	37
Using Dolby Surround	17	Turning the Daily Timer On and Off	38
Using the Tuner	18	Setting the Recording Timer	39
Tuning in a Station	18	Turning the Recording Timer On and Off	40
Switching between Frequency Bands	18	Setting the Sleep Timer	40
Three Ways to Select a Station	19	Timer Priority	41
Presetting Stations	19	Care and Maintenance	42
Changing the FM Reception Mode	19	Troubleshooting	43
Receiving FM Stations with RDS	20	Specifications	44
What Information RDS can Provide	20		
Changing the Display	20		
Searching for Programmes by PTY codes	21		
EON Function	21		
ALARM Function	22		

Thank you for purchasing the JVC Compact Component System. We hope it will be a valued addition to your home, giving you years of enjoyment. Be sure to read this instruction manual carefully before operating your new stereo system. Here you will find all the information you need to set up and use the system. For questions that are not answered in the manual, contact your dealer.

Features

- Here are some of the things that make your System powerful and easy to use. The controls and operations have been designed to make them very easy to use, so you can spend your time listening to music.
 - With the One Touch Operation feature of JVC's **COMPU PLAY** you can turn on the System and start the radio, the Cassette Deck, or the CD Player with a single touch.
- To get such great sound from such a compact package the System has:
 - Built-in **Dolby Pro Logic** and **Dolby 3ch Logic** effects. Combined with the optional centre and rear speakers, this allows you to enjoy the dynamic pulsating sound effects of a stereo programme. The sound mode includes live surround effects: **D. CLUB**, **HALL**, and **STADIUM**. It also includes S.E.A. (Sound Effect Amplifier) effects: **ROCK**, **POP**, and **CLASSIC**. You can also register up to three customized settings (MANUAL 1 to 3).
- The System is compatible with RDS (Radio Data System) broadcasting.
 - The EON data enables you to stand-by for desired information.
 - The PTY Search function searches for programmes in the category you wish.
- In addition, Radio Text can be displayed using data sent by station.
 - CD-changer function can operate 3 discs.
 - Discs can be changed during play using the **TRIPLE TRAY**.
 - Continuous, random or program play of 3 discs.
- The three timers, **Daily Timer**, **Recording Timer**, and **Sleep Timer** are extremely easy to set.

How This Manual Is Organized

- In this manual we have incorporated some special features.
- Basic information that is the same for many different functions is grouped in one place, and not repeated in each procedure. For instance, in the section on playing a CD, we do not repeat the information about setting the volume and the sound conditions, which are discussed in the Common Operations section.
 - Name of buttons and controls are written in all capital letters like this: **SOUND MODE**.
- The manual has a table of contents to help you quickly look up what you want to know. We've enjoyed making this manual for you, and hope you will use it to enjoy the sound and many features built into your System.

IMPORTANT PRECAUTIONS

1. **Installation of the Unit**
 - Select a place which is level, dry and neither too hot nor too cold. (Between 5°C and 35°C or 41°F and 95°F)
 - Leave sufficient distance between the Unit and a TV.
 - Do not use the Unit in a place subject to vibrations.
2. **Power cord**
 - Do not handle the power cord with wet hands!
 - Some power (12 watts) is always consumed as long as the power cord is connected to the wall outlet.
 - When unplugging the Unit from the wall outlet, always pull the plug, not the power cord.
3. **Malfunctions, etc.**
 - There are no user-serviceable parts inside. If anything goes wrong, unplug the power cord and consult your dealer.
 - Do not insert any metallic object into the Unit.

Getting Started

Accessories

Check that you have all of the following items, which are supplied with the System.

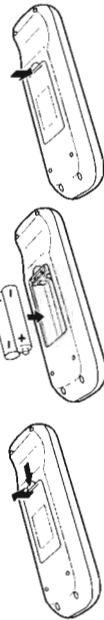
- AM (MW/LW) Loop Antenna (1)
- Remote Control (1)
- Batteries (2)
- FM Wire Antenna (1)

If any of these items is missing, contact your dealer immediately.

How to Put Batteries in the Remote Control

Match the polarity (+ and -) on the batteries with the + and - markings in the battery compartment.

R6P (SUM-3)/AA (15F)



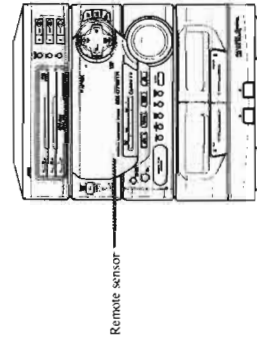
CAUTION: Handle batteries properly.

- To avoid battery leakage or explosion:
- Remove batteries when the Remote Control will not be used for a long time.
- When you need to replace the batteries, replace both batteries at the same time with new ones.
- Do not use an old battery with a new one.
- Do not use different types of batteries together.

Using the Remote Control

The Remote Control makes it easy to use many of the functions of the System from a distance of up to 7m (23 feet) away.

You need to point the Remote Control at the remote sensor on the System's front panel.



English English

CAUTION: Make all connections before plugging the Unit into an AC power outlet.

Connecting the FM Antenna

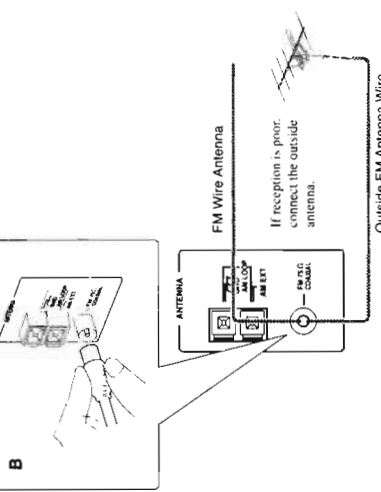


A. Using the Supplied Wire Antenna

The FM Wire Antenna provided can be connected to a FM 75-ohm COAXIAL as temporary measure. Extend the supplied wire antenna horizontally.

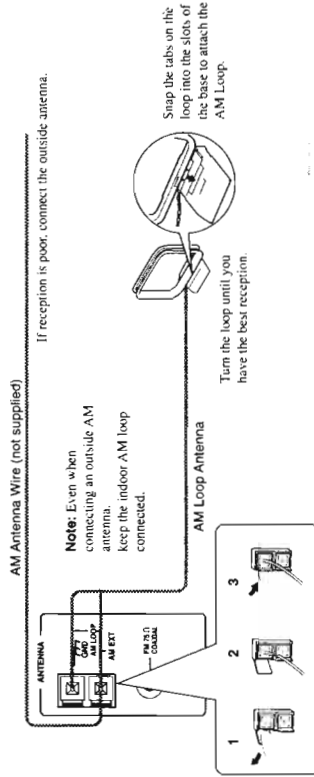
B. (Not Supplied) Using the Standard Type Connector

A standard type connector (IEC or DIN 45325) should be connected to the FM 75-ohm COAXIAL terminal.



CAUTION: To avoid noise, keep antennas away from metallic parts of the System, connecting cord and the AC power cord.

Connecting the AM (MW/LW) Antenna



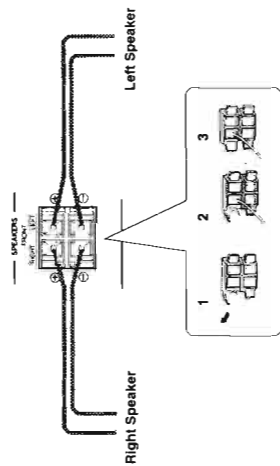
CAUTION: Make all connections before plugging the Unit into an AC power outlet.

Connecting the Speakers

- Refer to instructions for speakers as well when you connect speakers.

For each speaker, connect one end of the speaker wires to the speaker terminals on the back of the System.

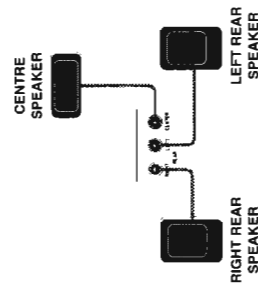
1. Open each of the terminals and insert the speaker wires firmly, then close the terminals.
 2. Connect the red (+) and black (-) terminals of the right side speaker to the red (+) and black (-) terminals marked **RIGHT** on the System.
- Connect the red (+) and black (-) terminals of the left side speaker to the red (+) and black (-) terminals marked **LEFT** on the System.



IMPORTANT: Use speakers with the correct impedance only. The correct impedance is indicated on the back panel.
CAUTION: If a TV is installed near the speakers, the TV may display irregular colours. In this case, set the speakers away from the TV.

Connecting the Optional Speakers

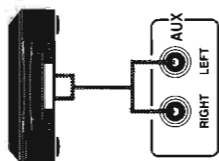
Connect the optional centre speaker and rear speakers.



English

Connecting Auxiliary Equipment

VCR or other equipment
 To listen to this source, press A.U.X.



Now you can plug the AC power cord into the wall outlet, and your System is at your command!

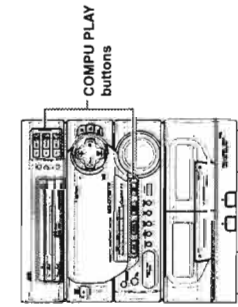
Common Operations

COMPU PLAY

COMPU PLAY is JVC's feature that lets you control the most frequently used functions of the System with a single touch.

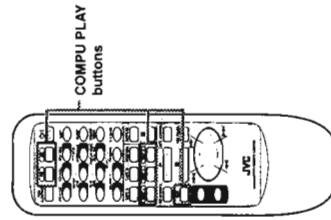
One Touch Operation starts playing a CD, turns on the radio, plays a tape, etc. with a single press of the play button for that function. What One Touch Operation does for you is to turn the power on, then start the function you have specified. If the Unit is not ready, such as no CD or tape in place, the Unit still powers on so you can insert a CD or tape.

How One Touch Operation works in each case is explained in the section dealing with that function. The COMPU PLAY buttons are:



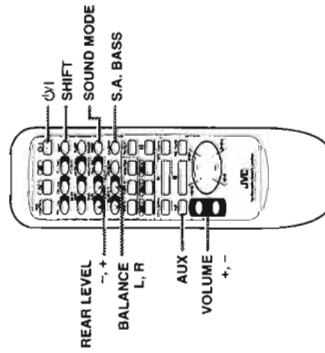
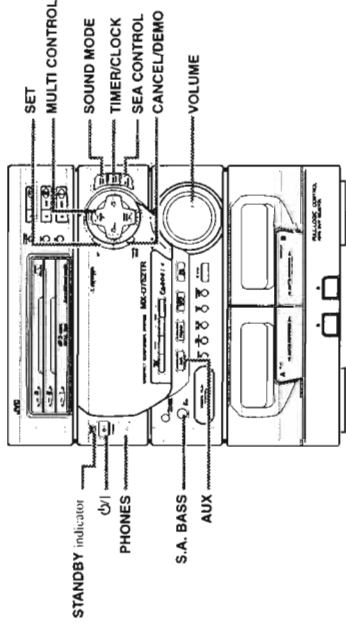
On the Unit

- CD Player DISC 1 to DISC 3 buttons
- CD Player Open/Close (▲) buttons
- CD ▶/⏪ button
- TAPE ◀▶ button
- FM/AM button
- AUX button

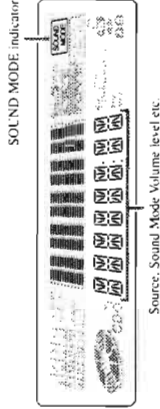


On the Remote Control

- FM button
- AM button
- DISC 1 to DISC 3 buttons
- AUX button



Display



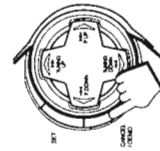
Source: Sound Mode Volume level etc.

When the System is being used, the display shows other items as well. However, we have only shown the items described in this section.

Demo Mode

When the System is connected to an AC power outlet, a Demo automatically starts showing some of the system's features.

- The Demo display cycles through the following items repeatedly.
- Scrolling display of "DEMO MODE START"
 - Demo of PRO LOGIC and 3CH LOGIC
 - Demo of Sound Mode
 - Demo of S.A. BASS
 - Demo of continuous play from DISC 1 to DISC 3.

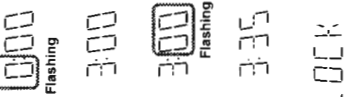
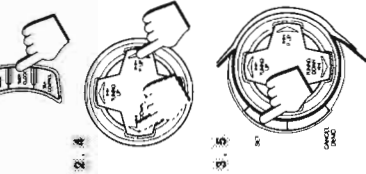


To turn the Demo off, press any of the operation buttons. "DEMO OFF" appears on the display and the Demo automatically stops.

To turn the Demo on, press CANCEL/DEMO for more than 2 seconds.

Setting the Clock

Before operating the unit, set the correct time. You can set the clock whether the Unit is on or off.



1. Press TIMER/CLOCK.
The hour digits begin flashing.

2. Press P. DOWN or P. UP on the MULTI CONTROL to set the hours.
Press P. UP to increase the hour. Press P. DOWN to decrease the hour. Holding down continuously changes the hour setting more rapidly.

3. Press SET.
The minute digits begin flashing.

4. Press P. DOWN or P. UP on the MULTI CONTROL to set the minutes.
Press P. UP to increase the minutes. Press P. DOWN to decrease the minutes. Holding down continuously changes the minute setting more rapidly.

5. Press SET.
"CLOCK OK" appears on the display. The clock stops flashing, and the clock timer starts from 0-second.

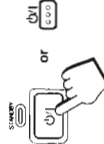
- If the clock is not set, "TDR" will flash instead of the clock indication.
- When the time has been set, TIMER/CLOCK can be used to operate the Daily Timer and Recording Timer.
- To adjust the time once the clock has been set, press TIMER/CLOCK 5 times and follow the procedure above.

CAUTION: If there is a power failure, the clock loses its setting. The display shows "0:00", and the clock must be reset.

Turning the Power On and Off

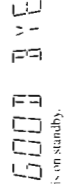
Turning the System On

- Press **ON**.
- "WELCOME" appears on the display and the STANDBY indicator goes out.
 - The System comes on ready to continue in the mode it was in when the power was last turned off.
 - If the last thing you were doing was listening to a tape in Deck B, you are now ready to listen to a tape again in Deck B, or you can change to another source.
 - If you were listening to the Tuner last, the Tuner comes on playing the station it was last set to.



Turning the System Off

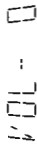
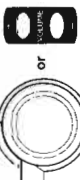
- Press **ON** again.
- "GOOD BYE" appears on the display for a while and the STANDBY indicator lights up. The clock time appears on the display.
 - Some power (1.2 watts) is always consumed even though the power is on standby.
 - To switch off the Unit completely, unplug the AC power cord from the AC outlet. When you unplug the AC power cord, the clock will be reset to 0:00 immediately, and preset Tuner stations will be erased in a few days.



English

Adjusting the Volume

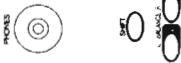
Turn VOLUME clockwise to increase the volume or anticlockwise to decrease it. Turning VOLUME quickly also adjusts the volume level quickly. When using the Remote Control, press VOLUME + to increase the volume or press VOLUME - to decrease it. You can adjust the volume level between 0 and 50.



CAUTION: The Volume cannot be adjusted while the Unit is on STANDBY. DO NOT turn on the Unit and/or start playing any source without setting the VOLUME control to 0; otherwise, the sudden blast of sound can damage your hearing, speakers and/or headphones.

For private listening

Connect a pair of headphones to the PHONES jack. No sound comes out of the speakers. Be sure to turn down the volume before connecting or putting on headphones.



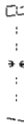
Balance Adjustment

You can use the Remote Control to adjust the left and right balance of the speakers.

1. Press SHIFT.

2. Press BALANCE L (10) or R (+10).

The display changes to show the balance adjustment.



Pressing L (10) moves the pointer to the left, pressing R (+10) moves the pointer to the right.

- Display when set for no sound from the right speaker.
- Display at the centre position.
- Display when set for no sound from the left speaker.

The balance is normally set to the centre position.

Note: If no adjustments are made for 2 seconds in balance adjustment mode, the display reverts to the previous display.

Reinforcing the Bass Sound

S.A. (Signal Adaptive) BASS adjusts low tones at low volume to enhance their effect. When the volume level is low, this enhances low tones that are normally difficult to hear and adjusts low tones to a fixed level to reduce low tone distortion.

Press S.A. BASS.

Pressing S.A. (Signal Adaptive) BASS changes the bass setting in the following order: → SA-BASS1 → SA-BASS2 → OFF → (back to the beginning)

The S.A. BASS indicator lights up, and "SA-BASS1" or "SA-BASS2" appears on the display for three seconds.

- SA-BASS2 enhances low tones more than SA-BASS1.

To cancel the effect, press S.A. BASS until "OFF" appears on the display. The button light goes out.

To recall the previous S.A. BASS mode, press S.A. BASS once.

- When listening to recording with low volume low tones, the difference between SA-BASS1 and SA-BASS2 is clear. When listening to recording with louder low tones, however, the difference between SA-BASS1 and SA-BASS2 may not be so clear.

Sound Modes

The System has some preset sound effects that give you control of the way your music sounds, so you can tailor it for your room and for the quality of the source. We can give you some idea of how each one affects the music, but the only way to really tell is to try them yourself!

You can also create up to three of your own customized S.E.A. (Sound Effect Amplifier) settings and store them in the Unit's memory (MANUAL 1, MANUAL 2, MANUAL 3).

- The preset sound modes include modes using surround effects and modes using S.E.A. effects.
- Sound Mode effects cannot be recorded.

To get an effect, press SOUND MODE repeatedly until the Sound Mode you want appears on the display. The Sound Mode selected will appear on the display for three seconds. When a surround effect mode is selected, the frame around the SOUND MODE indicator will light up. When a S.E.A. effect mode is selected, the SOUND MODE indicator will light up.

Each time you press SOUND MODE, the Sound Mode changes as follows:

→ D. CLUB → HALL → STADIUM → ROCK → POP → CLASSIC → MANUAL 1 → MANUAL 2 → MANUAL 3 → OFF → (back to the beginning)

Surround effect modes

D. CLUB (Dance Club)
Increases resonance and bass.

HALL
Adds depth and brilliance to the sound, like in a concert hall.

STADIUM
Adds clarity and spreads the sound, like in an outdoor stadium.

S.E.A. effect modes

ROCK
Boosts low and high frequencies.

POP
Good for vocal music.

CLASSIC
Set for wide and dynamic sound stereo systems.

To cancel an effect, press SOUND MODE until "OFF" appears on the display. The SOUND MODE indicator goes out.

To recall the previous Sound Mode, press SOUND MODE once.

Customizing a Sound Mode

You can change an existing sound mode to suit your own preferences. These changed settings can be stored in the Unit's sound mode memory.

Select the Sound Mode you want to change.

If you select D. CLUB, HALL, or STADIUM, the surround effect remains unchanged, but you can adjust the S.E.A. effect.

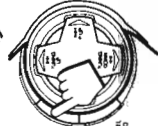
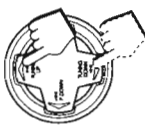
Press SEA CONTROL.

The low tone section of the tone equalizer flashes. Once "SEA CONT" appears, the low tone levels will appear.



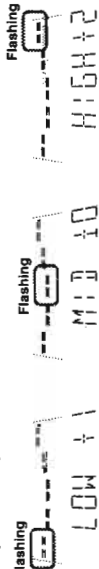
Note: If no adjustments are made for 10 seconds after SEA CONTROL is pressed, Sound Mode will appear on the display; then revert to the previous display.

English



Use MULTI CONTROL to adjust to any Sound Mode desired.

Press ← P, DOWN or → P, UP on the MULTI CONTROL to select the tone range you want to adjust. You can adjust "LOW", "MID" or "HIGH" tone.



Press TUNING DOWN ← or → TUNING UP on the MULTI CONTROL to adjust the level. The level can be adjusted between -3 and +3 in 7 steps.



Press SET.

"MANUAL 1" appears on the display.

Press ← P, DOWN or → P, UP on the MULTI CONTROL to select the MANUAL number for the memory.

Press SET again.

"MEMORY" appears for 2 seconds.

The setting that has been created is stored in the memory.

- The adjustment you have made will apply to the sound you hear.
- If you store new settings to a memory number that has already been used, the new settings replace the existing setting.

When a Rear Speaker is Connected

If the optional rear speaker is connected, you can use the rear speaker to enjoy Surround effects when a Surround effect (D. CLUB, HALL, STADIUM, or a MANUAL setting based on one of these) Sound Mode is selected.

- The rear speaker cannot be used when an S.E.A. effect (ROCK, POP, CLASSIC) is selected.



Adjusting the Rear Speaker Level

You can use the steps below to adjust the rear speaker level.

1. Select a Surround effect Sound Mode.
2. Start playback from the desired source.
3. Press SHIFT on the Remote Control.
4. Press REAR LEVEL + (8) or - (7) on the Remote Control to adjust the rear speaker level.

Each time you press the button, the level changes one step.

- You can set the level between -10 and +10 in 21 steps.
- The rear speaker level changes equally for both left and right. You cannot adjust the left and right balance for the rear speaker independently.
- You can adjust the rear speaker level for each of the Surround effect modes.



Listening to Auxiliary Equipment

By playing the sound from auxiliary equipment through the System, you can gain control over how the music or program sounds. Once the connected equipment is playing through the System, you can apply the sound effects.

- First make sure that the auxiliary equipment is properly connected to the System. (See page 6).

1. Turn down the volume level to 0.

- Press **AUX**. "AUX" appears on the display. The AUX button on the Unit lights up.

AUX

COMPU PLAY

When AUX is pressed while the power is on standby, the power is automatically turned on.

- Start playing the equipment.
- Adjust the volume level to the desired listening level.
- Select a Sound Mode, if you wish.

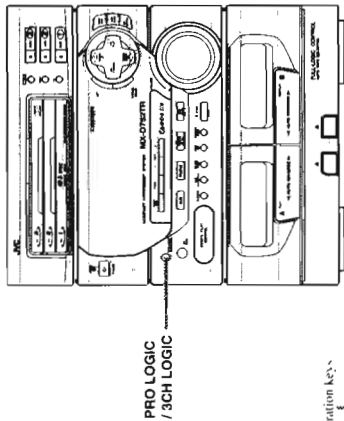
To cancel the setting

Change the source by starting any one of the System's built-in sound sources, such as the Tuner or CD Player.

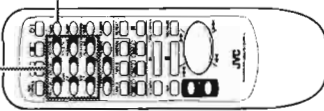


English
English

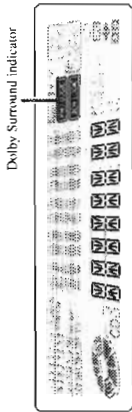
Dolby Surround



Operation Keys



Display



When the System is being used, the display shows other items as well. However, we have only shown the items described in this section.

Accessing the Dolby Surround Functions

Press the operation keys with green labels on the Remote Control to use the Dolby Surround functions. To use the function marked in green, press SHIFT first, then press the desired operation key.

The Dolby Surround has been also developed to reproduce the important elements of the acoustic surround at home. To watch the sound tracks of video software bearing the mark **Dolby Surround** which includes the same encoded surround information as found in Dolby Stereo film, the Unit can provide you with two Dolby Surround programs (Dolby Pro Logic and Dolby 3ch Logic).

Dolby Pro Logic: Select this mode when the optional rear speakers are connected.

Dolby 3ch Logic: Select this mode when no rear speakers are connected.

Manufactured under license from Dolby Laboratories Licensing Corporation. "Dolby", the double-D symbol and "Pro Logic" are trademarks of Dolby Laboratories Licensing Corporation.

- You need to connect the optional centre speaker and rear speakers to use the Dolby Surround functions.

Preparing the Dolby Surround

To use the Dolby Surround effects, you need to prepare the various settings. These settings are set using the Remote Control. The Dolby Surround settings are:

Centre Speaker Mode

- PHANTOM:** Select this setting if you have not connected a centre speaker. The left and right front speakers project the sound to give the effect of a centre speaker. (PRO LOGIC only)
- NORMAL:** Select this setting if you are using a small centre speaker. Since the centre speaker cannot boost the low tones effectively, this setting uses the front speakers to boost the low tones from the centre speaker.
- WIDE:** Select this setting if you are using a centre speaker that is similar in power to the front speakers.
- OFF:** Select this setting to turn off the output for the centre speaker.

Delay Time Mode

- Delay Time mode contains the following four settings.
- DELAY 1:** Select this setting if the rear speakers are further away from your listening position than the front speakers. (Delay time: 15 msec.)
- DELAY 2:** Select this setting if the rear speakers and front speakers are about the same distance away from your listening position. (Delay time: 20 msec.)
- DELAY 3:** Select this setting if the rear speakers are nearer to your listening position than the front speakers. (Delay time: 25 msec.)
- DELAY 4:** Select this setting if the rear speakers are very close to your listening position compared to the front speakers. (Delay time: 30 msec.)

Adjusting the level of the Centre Speaker

Adjust the level of the centre speaker between +10 and -10. Set the level so that it is about the same as the level from the front speakers.

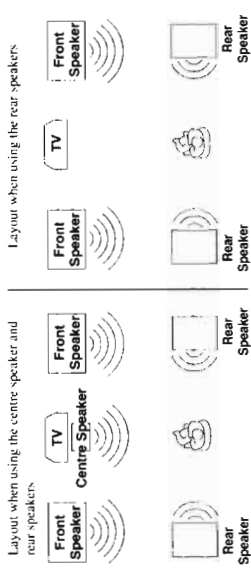
Adjusting the level of the Rear Speakers (For PRO LOGIC only)

Adjust the level of the rear speakers between +10 and -10. Set the level so that it is about the same as the level from the front speakers.

- You cannot adjust the levels of the left and right rear speakers independently.

Getting Ready To Use Dolby Pro Logic

Speaker Arrangements for Dolby Pro Logic



Setting-up Dolby Pro Logic

1. Press PRO LOGIC/3CH LOGIC to select PRO LOGIC. Each time you press the button, Dolby Surround programmes change as follows: → PRO LOGIC → 3CH LOGIC → OFF → (back to the beginning)

PRO LOGIC

When using the Remote Control, press SHIFT then press 1 PRO LOGIC.

- Perform the steps below, using the buttons on the Remote Control.

2. Select the desired Centre Speaker mode.

Press SHIFT on the Remote Control then press 6 CENTER MODE. Each time you press the button, Centre Speaker modes change as follows: → NORMAL → WIDE → OFF → PHANTOM → (back to the beginning)

3. Select the Delay time.

Press 9 DELAY TIME. Each time you press the button, Delay time changes as follows: → DELAY 2 → DELAY 3 → DELAY 4 → DELAY 1 → (back to the beginning)

4. Set the volume to the level you like.

5. Press 3 TEST TONE. A test tone comes out of the speakers in the following order: → LEFT → CENTER → RIGHT → REAR → (back to the beginning)

- When a test tone comes out of the rear speakers, "SURROUND" appears on the display.
- When "PHANTOM" or "OFF" is selected for Centre Speaker mode, no test tone comes out of the centre speaker.

6. Adjust the level for the centre speaker.

Press CENTER LEVEL 5 + or 4 - →. Set the level so that it is about the same as the level from the front speakers.

CENTER

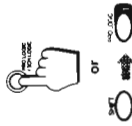
7. Adjust the level for the rear speakers.

Press REAR LEVEL 8 + or 7 - →. Set the level so that it is about the same as the level from the front speakers.

REAR

8. Press 3 TEST TONE again.

Test Tone mode is cancelled. This completes the preparations required for using Dolby Pro Logic.



Getting Ready To Use Dolby 3 Channel Logic

Speaker Arrangements for Dolby 3 Channel Logic



Setting-up Dolby 3ch Logic

- 1 Press **PRO LOGIC/3CH LOGIC** to select **3CH LOGIC**. Each time you press the button, Dolby Surround programmes change as follows:
→ **PRO LOGIC** → **3CH LOGIC** → **OFF** → (back to the beginning)

TECHNOLOGIC

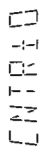
When using the Remote Control, press **SHIFT** then press the **3.CH LOGIC**.

- 2 Select the desired **Centre Speaker mode**. Press **SHIFT** on the Remote Control then press **6 CENTER MODE**. Each time you press the button, Centre Speaker modes change as follows:
→ **NORMAL** → **WIDE** → **OFF** → (back to the beginning)

- 3 Set the volume to the level you like.

- 4 Press **3 TEST TONE**. A test tone comes out of the speakers in the following order:
 - When "OFF" is selected for Centre Speaker mode, no test tone comes out of the centre speaker.
 - **LEFT** → **CENTER** → **RIGHT** → (back to the beginning)

- 5 Adjust the level for the centre speaker. Press **CENTER LEVEL 5 + or 4 -**. Set the level so that it is about the same as the level from the front speakers.
 - You cannot adjust the level for the centre speaker if "OFF" is selected for Centre Speaker mode.

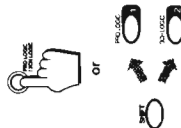


- 6 Press **3 TEST TONE** again. Test Tone mode is cancelled.

This completes the preparations required for using Dolby 3 Channel Logic.

- You cannot adjust the Delay Time or rear speaker levels in Dolby 3 Channel Logic mode.

Using Dolby Surround



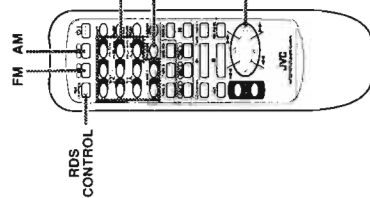
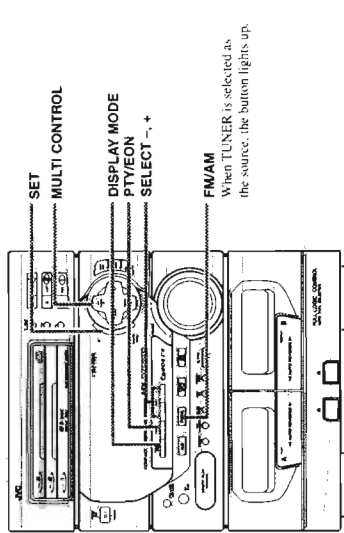
- 1 Press **PRO LOGIC/3CH LOGIC** and select the desired mode. If you are using the Remote Control, press 1. **PRO LOGIC** or 2. **3CH LOGIC** after pressing **SHIFT**. Make sure that the center speaker and rear speakers have been set up correctly, as described on pages 15 to 17.

- 2 Playback as source with the **DISC/TAPE** mark. Enjoy the great sound achieved through Dolby Surround.

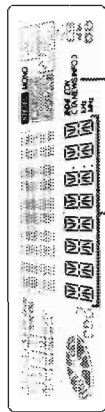
To Cancel Dolby Surround Effects

Press **PRO LOGIC/3CH LOGIC** until the Dolby Surround indicator goes out. If you are using the Remote Control, press the Dolby Surround buttons. (1. **PRO LOGIC** or 2. **3CH LOGIC**) after pressing **SHIFT**.

Using the Tuner



Display



Band display, Frequency display, Preset channel

RDS, EON, TA, INFO, NEWS indicator
When the System is being used, the display shows other items as well. However, we have only shown the items described in this section.

When the Unit is being operated with the Remote Control, press **FM** or **AM** first.

You can listen to both **FM** and **AM** (MW/LW) stations. Stations can be tuned in manually, automatically, or from preset memory storage.

- Before listening to the radio:
 - Check that both the **FM** and **AM** antennas are firmly connected. (See page 4.)

Tuning in a Station

Press **FM/AM** on the Unit (or **FM** or **AM** on the Remote Control) to turn on the radio.

The frequency of the previously selected channel appears on the display.

Switching between Frequency Bands

Press **FM/AM**.

Each time you press the button, the band alternates between **FM** and **AM** (MW/LW).

COMPU PLAY

When **FM/AM** is pressed while the power is on standby, the power is automatically turned on.

Receiving FM Stations with RDS

RDS (Radio Data System) allows the FM stations to send additional signals along with their regular programme signals. For example, the stations send their station names and information about what type of programme they broadcast, such as sports or music, etc. When tuned to an FM station which provides the RDS service, the station frequency (and then the station name if sent) is displayed.

- One convenient RDS service is "Enhanced Other Networks (EON)". This allows the Unit to automatically switch to a programme type of your choice when one starts in your broadcast area.
- Not all FM stations provide RDS service, nor do all RDS stations provide the same services. If in doubt, check with local radio stations for details on RDS services in your area.
- RDS may not work correctly if the station to which you are tuned is not transmitting properly or if the signal strength is weak.

What Information RDS can Provide

The System can use the following RDS service:

PS (Programme Service name)

Identifies each station by a name.

TA (Traffic Announcement Identification)

Identifies that a traffic announcement is being broadcast in your area.

RT (Radio Text)

Allows the RDS station to send text messages that appear on the display of the unit.

PTY (Programme Type)

Identifies the type of RDS programme. This allows you to locate a specific type of programme being broadcast.

The programme types are as follows:

NEWS	INFO	SPORT	EDUCATE
DRAMA	SCIENCE	VARIED	POP M
WEATHER	LIGHT M	CLASSICS	OTHER M
NATIONAL	M.O.R. M	SOCIAL A	RELIGION
	FINANCE	JAZZ	COUNTRY
	PHONE IN	DOCUMENT	TRAFFIC
	OLDIES		
ALARM			

EON (Enhanced Other Networks)

Provides information available on RDS stations other than the one which is being received.

Changing the Display

You can see RDS information on the display while listening to a FM station. To view RDS information on the display, press DISPLAY MODE. (When using the Remote Control, press 6 DISPLAY MODE after pressing RDS CONTROL.) Each time you press the button, the display changes to show the following information:

PS (Programme Service):

Station names will be displayed.

PTY (Programme Type):

Types of broadcast programmes will be displayed.

RT (Radio Text):

Text message sent by stations will be displayed.

Station Frequency:

Station frequencies.

- While RDS information is being received from a station, "PS", "PTY", or "RT" may appear on the display.

English
English



On the Remote Control To tune in FM stations, press FM. To tune in AM stations, press AM.

COMPU PLAY

When FM or AM is pressed while the power is on standby, the power is automatically turned on.

Three Ways to Select a Station

- Press TUNING DOWN \leftarrow or \rightarrow TUNING UP on the MULTI CONTROL repeatedly to move from frequency to frequency until you find the one you want. (Manual Tuning).
 - OR
 - Press and hold TUNING DOWN \leftarrow or \rightarrow TUNING UP on the MULTI CONTROL for a few seconds, the frequency starts changing on the display. When a station is tuned in, the frequency stops changing. (Auto Tuning).
 - OR
 - Possible only after presetting stations. Press once and release \leftarrow P DOWN or \rightarrow P UP on the MULTI CONTROL to go to the next preset station.
- You can also use the Remote Control to tune in preset channels:**
- Press FM or AM so that you can receive the last station tuned in.
 - Select the station by entering the preset number in the number keys of the Remote Control.
 - Example: for channel 5, press 5. For channel 15, press \rightarrow 1 then 5.
 - For channel 20, press \rightarrow 10, then 10. For channel 30, press \rightarrow 10 twice then 10.
- After you have selected the preset number and the number appears, the broadcast frequency of the selected channel appears on the display.

Presetting Stations

You can preset up to 30 FM stations and up to 15 AM (MW/LW) stations for the preset numbers. Note: In some cases, test frequencies have been already memorized for the tuner since the factory examined the tuner preset function before shipment. This is not a malfunction. You can preset the station you want into memory by following the pre-setting method.

Select a band by pressing FM/AM on the Unit.

When using the Remote Control, press FM or AM.

Press TUNING DOWN \leftarrow or \rightarrow TUNING UP on the MULTI CONTROL to tune into a station.

Press SET.

"SET" flashes for 5 seconds. While it is still flashing, carry out the following procedure.

Press \leftarrow P DOWN or \rightarrow P UP on the MULTI CONTROL on the Unit to set the preset number.

"STORED" appears for 2 seconds. The preset station is stored in the memory.

Press SET again.

"STORED" appears for 2 seconds. The preset station is stored in the memory.

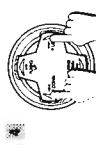
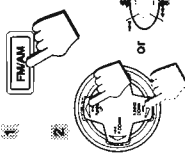
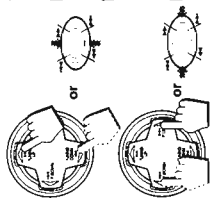
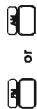
Repeat steps 1 to 5 for each station you want to store in memory using different preset numbers.

CAUTION: If the Unit is unplugged or if a power failure occurs, the preset stations will be erased in a few days. If this happens, preset the station again.

Changing the FM Reception Mode

When an FM stereo broadcast is hard to receive or noisy, press FM MODE on the Remote Control so that the MONO indicator lights up on the display. Reception improves, but there is no stereo effect.

To restore the stereo effect, press FM MODE on the Remote Control so that the MONO indicator goes out. In this stereo mode, the STEREO indicator lights up and you can hear stereo effects, when a program is broadcast in stereo.



Searching for Programmes by PTY codes

One of the advantages of the RDS service is that you can locate a particular kind of programme by specifying the PTY codes.

- The PTY Search function is applicable to preset stations only.

To search for a programme using the PTY codes, follow this procedure:

Press PTY/EON once.

- When using the Remote Control, press 3 PTY/EON after pressing RDS CONTROL.
- "PTY" and "SELECT" appear alternately on the display.

Note: If no adjustments are made for 10 seconds in PTY Select mode, the display reverts to the previous display. Perform the next step while "PTY" and "SELECT" are being displayed.

Press SELECT + or SELECT - to select a PTY.

- When using the Remote Control, press 8 SELECT - or 9 SELECT +.

Each time you press the button, PTY codes change as follows:

- SELECT + →
- NEWS → AFFAIRS → INFO → SPORT → EDUCATE → DRAMA → CULTURE → SCIENCE → VARIOUS → POP M → ROCK M → M.O.R. M → LIGHT M → CLASSICS → OTHER M → WEATHER → FINANCE → CHILDREN → SOCIAL A → RELIGION → PHONE IN → TRAVEL → LEISURE → JAZZ → COUNTRY → NATIONAL → OLDIES → FOLK M → DOCUMENT → TRAFFIC →
- SELECT - →

Press PTY/EON again.

- When using the Remote Control, press 3 PTY/EON.

While the search function is running, the selected programme type and "SEARCH" alternate on the display.

Once the station which is broadcasting the selected PTY (Programme Type) is located, searching will stop. Then the station name (if PS code is being sent) will be indicated and the broadcast will commence. The indication will stay flashing for 10 seconds from the end of the searching function. If you press PTY/EON again during this period, search for the same PTY (Programme Type) will restart.

- If a station broadcasting a selected PTY (Programme Type) cannot be found, "NOTFOUND" appears on the display after the Unit has searched through the preset numbers. The Unit will return to the station to which it was tuned prior to the start of the PTY Search.

To cancel a PTY Search operation, press PTY/EON. (When using the Remote Control, press 3 PTY/EON.)

EON Function

With the EON (Enhanced Other Networks) code, the Unit can perform a stand-by reception which will enable you to obtain desired information which is available from other stations.

- "EON" will be shown while receiving stations with an EON code.
- EON Stand-by reception is applicable for preset stations only.
- You can set EON Stand-by reception regardless of types of receiving bands.

Setting EON Stand-by reception

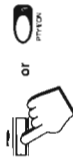
Press PTY/EON twice.

- When using the Remote Control, press 3 PTY/EON after pressing RDS CONTROL.

The last EON information type selected is displayed.



or



Select information you want by pressing SELECT + or SELECT -.

- When using the Remote Control, press the 9 SELECT + or 8 SELECT - button.

TA: Identifies that a traffic announcement is being broadcast in your area.

NEWS: News.

- INFO: Programmes on medical service, weather forecast, etc.
- Each time you press the button, EON codes change as follows:

- SELECT + →
- TA → NEWS → INFO → OFF →
- SELECT - →

Press PTY/EON.

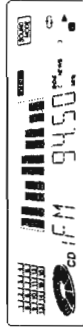
- When using the Remote Control, press 3 PTY/EON.

As soon as your selection is entered, the Unit will go into EON Stand-by reception mode.

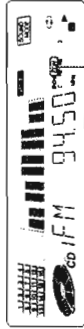
To cancel the EON function, select "OFF" by following the steps above.

When this Unit carries out EON Stand-by reception, the indication will change as follows:

- Waiting for EON Stand-by reception.



- Preset stations are being searched for and while preparing to change the station, sound will be muted.



- The station will be changed and the Station name being received will appear on the display.



Flashing

- To view the other RDS information on the display, press DISPLAY MODE. (When using the Remote Control, press 6 DISPLAY MODE after pressing RDS CONTROL).

Notes:

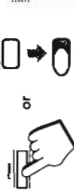
- EON broadcasts of some stations may not be compatible with this Unit. In the case of an incompatible EON broadcast, "EON" will not appear on the display.
- If the reception is unsatisfactory for a station among the preset stations, the station is searched for again. If after searching through the channels, the broadcasting station cannot be found, "NOTFOUND" appears on the display. The Unit will return to the station to which it was previously tuned.

When broadcasting of the desired information has been completed, the Unit will automatically go back to the station which had previously been tuned to.

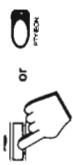
- While receiving information on EON Standby reception, the station will not change to other stations even if the same information is available from them.
- If the information you are waiting for is available from the current station, the indicator will flash.

ALARM function

If an ALARM (Emergency) signal is received while receiving an EON code from a station, the Unit automatically switches to the station broadcasting the ALARM signal.

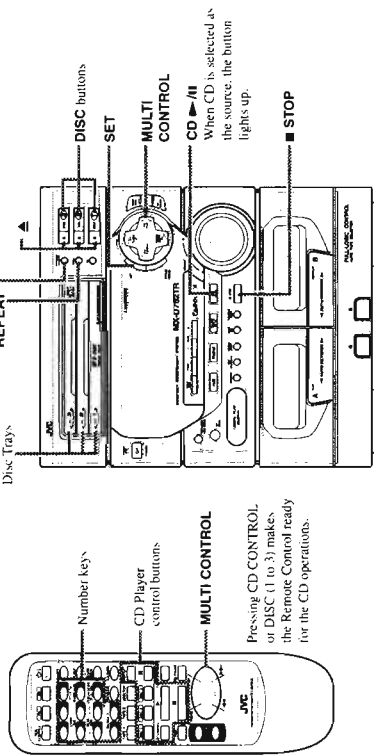


or



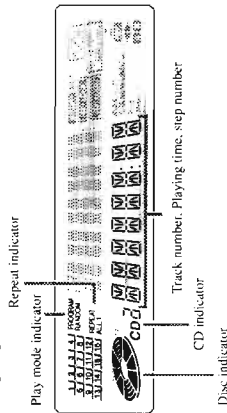
or

Using the CD Player



Pressing CD CONTROL or DISC (1 to 3) makes the Remote Control ready for the CD operations.

Display



When the System is being used, the display shows other items as well. However, we have only shown the items described in this section.

The System's CD Player has an Automatic Changer with 3 disc trays. You can use Continuous, Random, Program or Repeat Play for the discs in DISC 1, DISC 2 and DISC 3. Repeat Play can repeat all the tracks on all the CD's or one track on one CD. There is also the Tray Lock function, which safely keeps discs in the trays.

Here are the basic things you need to know to play a CD and locate the different selections on it. Each selection is called a track, so when we are talking about locating a track, we are also talking about how you find a certain song or performance.

Entering CD Operation Mode with the Remote Control

Pressing CD CONTROL or DISC (1 to 3) makes the Remote Control ready for the CD operations. Operate the CD Player with **▶**, **■**, **MULTI CONTROL**, and number keys. The explanation provided in this section assumes that the Remote Control has been put into CD operation mode. When you use the Remote Control, press CD CONTROL first.



English
English

Loading CDs

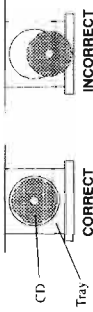
1. Press **▶ on the CD Player you want to insert the disc onto.**
"OPEN" appears on the display and the disc tray slides out.

COMPU PLAY

When **▶** is pressed while the power is on standby, the power is automatically turned on.

2. Place a CD, with its label side up, onto the tray.

ATTENTION: To avoid malfunctions when you place a CD, set the CD in the right place in the center of the tray.



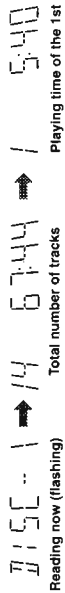
3. Press **▶ to close the tray.**

"CLOSE" appears on the display.

4. Repeat steps 1 to 3 to insert other discs onto the other trays.

To continue putting discs onto other trays, even if a tray is open, by pressing the **▶** button of another disc tray, the open tray will close automatically, and the new disc tray will slide out.

When you place a CD onto the currently selected tray, whose disc number shown on the CD indicator, reading of the CD starts. The total number of tracks and total playing time appear after the reading is completed, then the playing time of the first track appears.



To put an 8 cm CD onto a tray, insert it so that it is aligned with the groove in the tray's center.
If a tray is open when the System switches to the standby mode, the tray will close automatically.

Basics of Using the CD Player — Continuous Play

Playing a CD

Prepare the CDs.

On the Unit

Press CD **▶** /II.

The source is set to CD and play starts from the first track of the currently selected CD whose disc number shown on the CD indicator.

Press DISC (1 to 3) of the disc you want to play.

The source is set to CD and play starts from the first track of the selected CD.

COMPU PLAY

When CD **▶** /II or DISC (1 to 3) is pressed while the power is on standby, the power is automatically turned on.

When you press CD **▶** /II or DISC (1 to 3) while the disc tray is open, the tray will automatically close before beginning to play.

If there is no CD in the disc tray, "NO DISC" appears on the display.

Playing order of discs

When playback starts from DISC 1, the playing order is DISC 1 → DISC 2 → DISC 3.

When DISC 3 has finished, the CD Player stops.

When playback starts from DISC 2, the playing order is DISC 2 → DISC 3 → DISC 1.

When DISC 1 has finished, the CD Player stops.

When playback starts from DISC 3, the playing order is DISC 3 → DISC 1 → DISC 2.

When DISC 2 has finished, the CD Player stops.

If any of the disc trays are empty, the CD Player skips that disc tray and continues through the remaining disc trays in the order shown above. When the last disc has finished playing, the Unit will stop automatically.

English
English

Programming the Playing Order of the Tracks

You can change the order in which the discs and tracks play, and select only the discs and tracks you want from among those loaded in the CD Player.

- You can programme up to 32 steps in any desired order from among the discs in the CD player.
- You can only programme the CD Player when it is stopped.

On the Unit

1. Press PROGRAM/RANDOM.
 "PROGRAM" appears on the display and the PROGRAM indicator lights up.
 If you have already created a programme, the last step of the previous programme will appear on the display.

Each time you press the button, play mode changes as follows:
 → PROGRAM → RANDOM → No Play mode indicator (Continuous Play) → (back to the beginning)

2. Select a disc with DISC (1 to 3).
 The display changes to the Programme Entry display and the disc number and track number flash for a few seconds.

While the indications are flashing, perform the operations in steps 3 to 4. When the flashing indications change to "PROGRAM", repeat the operations in steps 2 to 4.

3. Press ◀ P. DOWN or ▶ P. UP on the MULTI CONTROL to select a track for programming.
 The disc number and track number starts flashing on the display.



4. Press SET.
 The indications on the display stop flashing and remains lit. The step number appears on the display.

5. Repeat steps 2 to 4 to select the other tracks for the programme.
 To select another track from the same disc, repeat the procedure from step 3.

6. Press CD ▶/II.
 The Unit plays the tracks in the order you have programmed them.

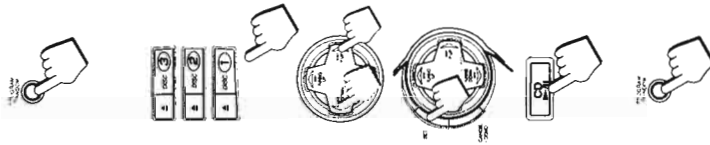
On the Remote Control

1. Press PROGRAM/RANDOM on the Unit.
 "PROGRAM" appears on the display and the PROGRAM indicator lights up.
 If you have already created a programme, the last step of the previous programme will appear on the display unless you have erased the programme.

Each time you press the button, play mode changes as follows:
 → PROGRAM → RANDOM → No Play mode indicator (Continuous Play) → (back to the beginning)

2. Select a disc with DISC (1 to 3).
 The display changes to the Programme Entry display and the disc number and track number flash for a few seconds.

While the indications are flashing, perform the operation in step 3. When the flashing indications change to "PROGRAM", repeat the operations in steps 2 to 3.



On the Remote Control then press ▶.

The source is set to CD and play starts from the first track of the currently selected CD whose disc number shown on the CD indicator.

- If the above operation is carried out while the power is on standby, the power is automatically turned on.

Press DISC (1 to 3) of the disc you want to play.
 The source is set to CD and play starts from the first track of the selected CD.

COMFU PLAY

When DISC (1 to 3) on the Remote Control is pressed while the power is on standby, the power is automatically turned on.

To stop playing the disc, press ■ STOP (or ■ on the Remote Control). The display will show the total number of tracks and total playing time of the disc that was playing followed by the playing time of the first track.

To stop play and remove the disc, press ▲ (for the disc being played).

To pause, press CD ▶/II (or II on the Remote Control). The playing time will flash.

To cancel pause, press CD ▶/II (or ▶ on the Remote Control). Play continues from the point where it was paused.

Selecting a Track — **Press ◀ P. DOWN or ▶ P. UP on the MULTI CONTROL to select the track.**

The selected track starts playing.

Each time you press ◀ P. DOWN or ▶ P. UP, the track changes by one.

Press and hold ◀ P. DOWN or ▶ P. UP to continuously change tracks.

Locating a Track with the Remote Control Directly

Using the number keys on the Remote Control allows you to go directly to the beginning of any track.

Press the DISC (1 to 3) for the disc tray containing the track you want to listen to.

• Example: for the third disc, press DISC 3.

Enter the number of the track you want to listen to with the number keys.

The selected track starts playing.

• Example: for track 5, press 5. For track 15, press +10 then 5. For track 20, press +10, then 10. For track 32, press +10 three times, then 2.

Fast Forward / Reverse

Use TUNING DOWN ◀◀ or ▶▶ TUNING UP on the MULTI CONTROL.

For Fast Forward, press and hold down ▶▶ TUNING UP. For Reverse, press and hold down TUNING DOWN ◀◀. Release the button when the part you wish to listen to is reached.

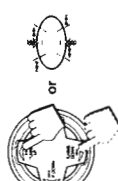
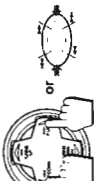
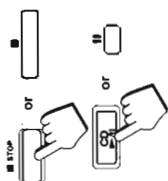
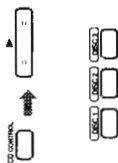
Changing Discs While Playing

You can replace a CD in a tray not being used, while another CD is playing.

Press ▲ of the tray not being used.
 The tray opens.

Replace the disc in the tray.

Press ▲ to close the tray.



Press the number keys (1 to 10 and +10) to select the tracks.

The indications on the display stop flashing and remains lit.
 The selected track numbers light up and the step number appears on the display.
 Example: For track 5, press 5.
 For track 15, press +10 then 5.
 For track 20, press +10 then 10.
 For track 32, press +10 three times, then 2.

Repeat steps 2 to 3 to select the other tracks for the programme.

- Press **▶**.
 The Unit plays the tracks in the order you have programmed them.
- If you try to programme a 33rd track, "FULL" will appear on the display to let you know that the programme is full.
- If you try to programme a disc tray that is empty, or a track number that does not exist on a disc (for example, selecting track 14 on a disc that only has 12 tracks), the selected disc or track are skipped when the programme is played.
- You can skip to a particular programme step by pressing the MULTI CONTROL (◀▶ P, DOWN or ▶▶ P, UP) or ◀◀ or ▶▶ on the Remote Control during programme play.
- To play the programmed tracks repeatedly, press REPEAT. For details, refer to "Repeating a Track or the Discs", on page 28.
- To stop playing, press **■** STOP (or **■** on the Remote Control) once.
- To delete all the tracks in a programme, press **■** STOP (or **■** on the Remote Control) while the CD Player is stopped. The programme is deleted and "PROGRAM" appears on the display.
- To cancel programme play, press **■** STOP (or **■** on the Remote Control) while "PROGRAM" is shown on the display.

Checking the Programme

While the CD Player is stopped, use ◀◀ or ▶▶ on the Remote Control to check the contents of the programme.
 Each time you press ▶▶, the programme contents are shown on the display in the programmed order. Pressing ◀◀ displays the previous step in the programme.

Changing the Programme

Modify the contents of a programme while the CD Player is stopped.
 Press CANCEL/DEMO on the Unit, the last step in the programme is deleted.
 Each time you press the button, the last step listed in the programme is deleted from the programme.
 To add a step to the programme, follow the procedure above (on either the Unit or the Remote Control). The new steps are added to the end of the programme.

Random Play

The tracks of all loaded CDs will play at random.

Press PROGRAM/RANDOM while the CD Player is stopped to change to the Random Mode display.

Each time you press the button, play mode changes as follows:
 → PROGRAM → RANDOM → No Play mode indicator (Continuous Play) → (back to the beginning)

Press CD ▶/!

The tracks of all the CDs are played in random order.
 When all of the tracks have been played, the CD Player stops.

Note: Random Play cannot be activated with the DISC buttons and the number keys.

- You can skip to the next track by pressing ▶▶ P, UP on the MULTI CONTROL (or ▶▶ on the Remote Control) during Random Play. Each time you press the button, the next track is jumped to. (You cannot skip to the previous tracks, nor to the beginning of the current track during Random Play.)
- To continue with a different random track selection after the last track is played, press REPEAT to select REPEAT ALL before or during Random Play.

To cancel Random Play, press **■** STOP (or **■** on the Remote Control) twice. When the RANDOM indicator goes out, Continuous Play mode is resumed.

Repeating a Track or the Discs

You can have all the discs, the program or the individual track currently playing repeat as many times as you like.

Press REPEAT on the Unit.

Each time you press the button, the Repeat Modes change as follows.
 → REPEAT ALL → REPEAT 1 → No indicator → (back to the beginning)

REPEAT ALL: Repeats all the tracks on the CDs, or all the tracks in the program.

REPEAT 1: Repeats one track on one CD.

To exit Repeat Mode, press REPEAT until the Repeat Mode indicator on the display goes out.

Tray Lock Function

In order to safely keep the discs in the CD Player, the three trays can be electronically locked in a single operation.

When the Tray Lock function is on, the trays cannot be opened even if the **▶** button is pressed. This function can only be accessed by using the buttons on the Unit itself.

Locking the Trays

Put the System's power into STANDBY mode.

While pressing **■** STOP, press **▶** for DISC 1 on the Unit.
 "LOCKED" appears on the display to let you know that the trays have been locked.

LOCKED

When the CD Player trays are locked, pressing **▶** displays the message "LOCKED" on the display and the trays do not open. Also, **▶** cannot be used to automatically turn on the power.

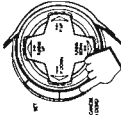
Unlocking the Trays

Put the System's power into STANDBY mode.

While pressing **■** STOP, press **▶** for DISC 1 on the Unit.
 When the unlock operation is done, "UNLOCKED" appears on the display to show that the lock has been taken off.

UNLOCKED

The trays can now be opened by pressing **▶**.
▶ can also be used to automatically turn on the power.

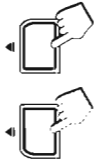


Using the Cassette Deck (Playing)

English

Regular Play

- When the power is already on, you can use this basic procedure:
1. Press down **▲** for the deck you want to use.
 2. When the cassette holder opens, put a cassette in, with the exposed part of the tape down, toward the base of the Unit.
 - If the cassette holder does not open, turn the power off, then back on and press down **▲** again.
 3. Close the holder gently.



When both Deck A and Deck B contain a tape, the last deck to have a tape inserted is selected. To change the selected deck, press DECK A/B. When using the Remote Control, press TAPE A or TAPE B.

Press TAPE **◀▶** on the Unit.

COMPU PLAY
When the TAPE **◀▶** is pressed while the power is on standby, the power is automatically turned on.

When using the Remote Control, first press TAPE CONTROL followed by **▶**. If the power is on standby, the power will automatically be turned on. When "TAPE" appears on the display, the tape play starts toward the direction currently selected.

To stop playing, press **■ STOP** on the Unit (or **■** on the Remote Control).
To remove the tape, stop the tape, and press down **▲**.
To change deck while playing a tape, press TAPE **◀▶** after pressing DECK A/B on the Unit or press **▶** after pressing TAPE A or TAPE B on the Remote Control.
To change the direction of a tape while it is playing, press TAPE **◀▶** on the Unit or DIRECTION on the Remote Control.



Fast Left and Fast Right

- While the tape is stopped, press TUNING DOWN **◀◀** on the MULTI CONTROL (or **◀◀** on the Remote Control) and the tape will wind rapidly to the left side of the cassette without playing.
- While the tape is stopped, press **▶▶** TUNING UP on the MULTI CONTROL (or **▶▶** on the Remote Control) and the tape will wind rapidly to the right side of the cassette without playing.

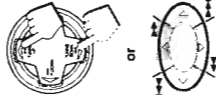
Note: Deck A and Deck B cannot be used for playback at the same time.

Music Scan

To find the beginning of a music track during play, use the Music Scan function. Music Scan searches for blank portions that usually separate selections, then plays the next selection.

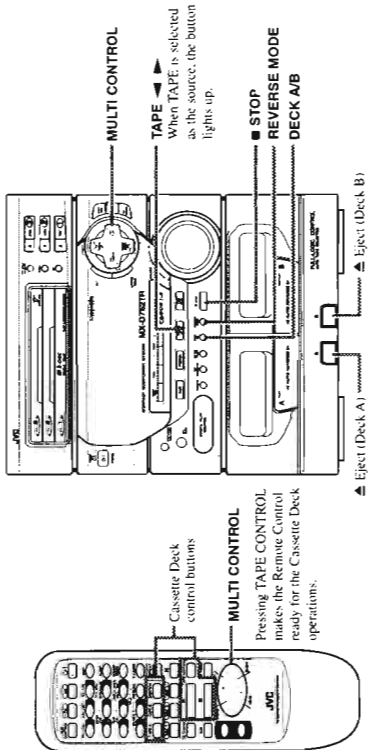
Finding the Beginning of the Current Selection
Press TUNING DOWN **◀◀** or **▶▶** TUNING UP on the MULTI CONTROL (or **◀◀** or **▶▶** on the Remote Control) during play.

■ Make sure that you press TUNING DOWN **◀◀** or **▶▶** TUNING UP on the MULTI CONTROL (or **◀◀** or **▶▶** on the Remote Control) in the opposite direction to that in which the tape is playing. Searching stops at the beginning of the current selection, and the current selection starts automatically.



Finding the Beginning of the Next Selection
Press TUNING DOWN **◀◀** or **▶▶** TUNING UP on the MULTI CONTROL (or **◀◀** or **▶▶** on the Remote Control) during play.

■ Make sure that you press TUNING DOWN **◀◀** or **▶▶** TUNING UP on the MULTI CONTROL (or **◀◀** or **▶▶** on the Remote Control) in the same direction as that in which the tape is playing. Searching stops at the beginning of the next selection, and the next selection starts automatically.



Display

Tape Direction Indicator on the Display
The Tape Direction indicator tells you which direction the selected tape deck will use for playback. During playback, the direction indicator flashes slowly. During fast left or fast right, the indicator flashes quickly. During Music Scan mode, the indicator flashes slowly and quickly alternately.



When the System is being used, the display shows other items as well. However, we have only shown the items described in this section.

- Reverse Mode indicator
- Tape Direction indicator
- DECK A, B indicator

The Cassette Deck allows you to play, record and dub audio tapes.

- With Automatic Tape Detection, you can listen to Type I or II tapes without changing any settings.

The use of tapes longer than 120 minutes is not recommended, since characteristic deterioration may occur and these tapes easily jam in the pinch-rollers and the capstans.

Entering the TAPE Operation Mode with the Remote Control

Pressing TAPE CONTROL makes the Remote Control ready for the Cassette Deck operations. Operate the Cassette Deck with **▶** and MULTI CONTROL. The explanation provided in "Using the Cassette Deck" section assumes that the Remote Control has been put into Cassette Deck operation mode. When you use the Remote Control, press TAPE CONTROL first.



Using the Cassette Deck (Recording)

English English

Music Scan works by detecting a 4-second long blank at the beginning of each selection, so it will not work well if your tape has . . .

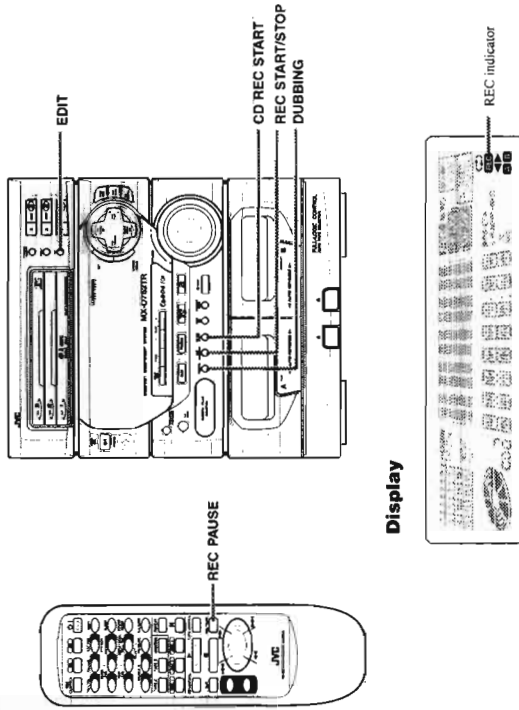
- No blank at the beginning of a selection.
- Noise (often caused by much use or poor quality dubbing) which fills the blank with noise.
- Long, very soft passages or pauses in a selection. The scan will detect these as 4-second long blanks. If this happens, just scan again until you reach the selection you want.

Reverse Mode

Use **Reverse Mode** to make the tape automatically reverse at the end of a side and start playing the other side. Each time you press **REVERSE MODE**, the Reverse Mode turns on and off alternately.



Continuous Play: With the Reverse Mode indicator on, when tape playback in the reverse (◀) direction finishes, the Unit always checks to see if a tape is in the other deck. If there is, it automatically starts playing. This Continuous Play function works regardless of which deck starts first.



When the System is being used, the display shows other items as well. However, we have only shown the items described in this section.

Things to Know before You Start Recording

- It may be unlawful to record or play back copyrighted material without the consent of the copyright owner.
- When you want to record onto both sides of a tape, you can set Reverse mode on to do so. However, recording automatically stops after recording in the ◀ direction in Reverse mode. Therefore, make sure that the tape direction is ▶ when recording with Reverse mode on.
- The recording level, which is the volume at which the new tape is being made, is automatically set correctly, so it is not affected by volume control. Thus, during recording you can adjust the sound you are actually listening to without affecting the recording level.
- Two small tabs on the back of the cassette tape: one for side A, and one for side B, can be removed to prevent accidental erasure or re-recording. To record on a cassette with the tabs removed, you must cover the holes with adhesive tape first. However, when a Type II tape is used, only cover part of the hole as shown, since the other part of the hole is used to detect the tape type.
- When recording, you can hear Sound Mode effects through the speakers or headphones. However, the sound is recorded without Sound Mode effects.
- Type I and Type II tapes can be used for recording.

Note: At the start and end of cassette tapes, there is leader tape, which cannot be recorded onto. Depending on the recording source, the first part of the recording may be missing because of the leader. When recording CDs or radio broadcasts, to get the beginning of the recording on the tape, first wind on the leader before beginning recording.



English
English

CAUTION: If recordings you have made have excessive noise or static, the Unit may be too close to a TV which was on during recording. Either turn off the TV or increase the distance between the TV and the System.

Standard Recording

This is the basic method for recording any source. The System also has special ways for recording CD to tape, and tape to tape, which save your time and effort, as well as give you some special effects. However, when you need to add a selection to a tape you have made, or are combining selections from several sources on one tape, use the method described below; just substitute the source you want into this procedure, such as a CD or the Tuner. You can also record from an auxiliary source with this procedure.

Using the Unit

1. **Insert a blank or erasable tape into Deck B.**
2. **Press REVERSE MODE if you want to record on both sides of the tape.**
 - When using Reverse Mode, insert the tape so that it will be recorded in the forward (▶) direction. Reverse Mode comes on.
3. **Check the recording direction for the tape.**
 - Check that the Tape Direction indicator is the same as that for the tape in the tape deck. If the directions are different, press ■ STOP after pressing TAPE (▶) to set the tape direction.
 - When using the Reverse Mode to record both sides of a tape, check that the Tape Direction indicator is in the forward (▶) direction. If the direction indicator is not in the forward (▶) direction, press TAPE (▶) then press ■ STOP.
4. **Prepare the source, for example, by tuning in a radio station, loading CDs, or turning on connected equipment.**
5. **Press REC START/STOP.**
 - The REC indicator lights up and the System begins recording.



Using the Remote Control

1. **Insert a blank or erasable tape into Deck B.**
2. **Press REVERSE MODE on the Unit if you want to record on both sides of the tape.**
 - When using Reverse Mode, insert the tape so that it will be recorded in the forward (▶) direction. Reverse Mode comes on.
3. **Prepare the source, for example, by tuning in a radio station, loading CDs, or turning on connected equipment.**
4. **Press REC PAUSE.**
 - The REC indicator starts flashing.
5. **Press TAPE CONTROL then press ▶.**
 - The REC indicator stops flashing and remains lit.



Notes for using Reverse Mode for recording

When recording with Reverse Mode on, the System automatically stops when it reaches the end of the reverse (◀) direction. To record on both sides of a tape, make sure that the recording direction for the tape inserted into Deck B is forward (▶) and that the Tape Direction indicator is also forward (▶), before you start recording.

To pause at any time during the recording process

Press REC PAUSE on the Remote Control. Then press ▶ on the Remote Control or REC START/STOP on the Unit to restart recording.

To stop at any time during the recording process

Press REC START/STOP on the Unit again, or press ■ on the Remote Control.

Recording AM Station to Tape

When recording an AM broadcast, beats may be produced which are not heard when listening to the broadcast. In this case, press PROGRAM/RANDOM on the CD Player to eliminate the beats.

1. **Set to AM station and start recording.**
2. **Press PROGRAM/RANDOM repeatedly until the beats are eliminated.**
 - Each time you press the button, the indication on the display changes as follows:
→ CUT 2 → CUT 3 → CUT 4 → CUT 1 → back to the beginning!



CD Direct Recording

Everything on the CD goes onto the tape in the order it is on the CD, or according to the order you have set in a program.

1. **Press CD ▶/II, then ■ STOP.**
2. **Prepare CDs. (See page 24.)**
 - Check that the CD Player is not playing a CD.
3. **Insert a blank or erasable cassette in Deck B.**
 - When you want to record on both sides of a tape, press REVERSE MODE to turn on Reverse Mode. Check that the recording direction for the tape and the Tape Direction indicator are correct. (See page 33 "Notes for using Reverse Mode for recording".)

4. Press CD REC START.

If the REC indicator lights up, and the System begins recording. If the tape reaches its end while recording a song, the last song will be re-recorded at the beginning of the other side. When the recording is finished, "CD REC FINISHED" scrolls by on the display. The CD Player and Cassette Deck stop.



To stop at any time during the recording process, press ■ STOP.

Note: When making Sleep Timer settings while doing CD Direct recording, set the time so that there is enough leeway to finish the recording before the power turns off. If the time is set to about the length of the CD, the power may turn off before recording finishes.

For CD Direct Recording using more than one disc, use a blank tape. If you use a prerecorded tape, prerecorded material may not be erased between newly-recorded tracks.

Auto Edit Recording

Using Auto Edit, you can record the CD tracks to fit the tape, so a selection is not cut off. Auto Edit is one of the best ways to copy all of a CD onto a tape. Auto Edit programs the CD tracks in numerical order. To prevent the end of the last track on the front side from being cut off, the last track on the front side is selected to fit on the remaining tape length.

1. **Press CD ▶/II, then ■ STOP.**
2. **Prepare CDs. (See page 24.)**
 - Check that the CD Player is not playing a CD.
3. **Press EDIT on the Unit.**
 - "DISC" appears on the display.
4. **Press DISC (1 to 3) for the disc you want to record.**
 - After "TAPE C...", the optimum tape length for the disc appears on the display.

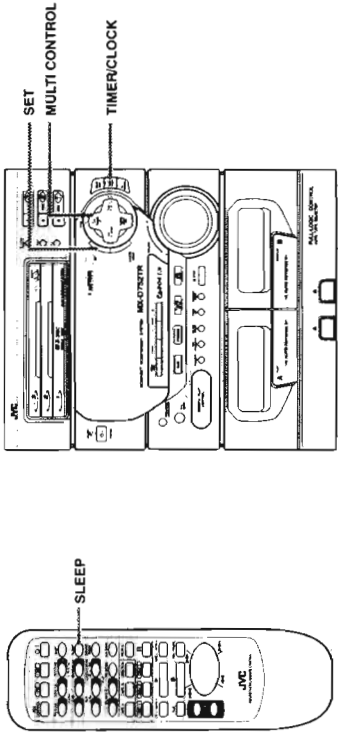


DISC

TAPE C... → TAPE C70

- You can select a different length of tape, depending on the actual size of the tape you are using. From eleven possibilities programmed into the Unit, 40, 46, 50, 54, 60, 64, 70, 74, 80, 84, 90. Select the tape length that corresponds to the length of tape you are using, or the nearest length to it, by adjusting ◀▶ P DOWN or ▶▶ P UP on the MULTI CONTROL.
- If you select a tape length shorter than the total playing time of the CD, the last tracks on both sides of the tape will be faded out at the tape ends.

Using the Timer



5. Press SET.
The tracks to be recorded on side B appear on the display.

- Each time you press the button, the tracks to be recorded on side A and side B appear on the display alternately.

6. Insert a blank or erasable cassette in Deck B.
When you want to record on both sides of a tape, press REVERSE MODE to turn Reverse mode on.

7. Press CD REC START.
The Unit plays the CD and starts recording. If the tape has not been rewound, the Unit rewinds the tape before starting to record the CD.

To stop at any time while recording, press ■ STOP or REC START/STOP on the Unit. If ■ STOP is pressed, the Cassette Deck will create a four-second blank space after the CD Player stops. If REC START/STOP is pressed, the CD Player and Cassette Deck will stop simultaneously. When ■ is pressed on the Remote Control, the stop time of the CD Player and Cassette Deck vary according to their mode (CD operation mode or Cassette Deck operation mode). If the Remote Control is in CD operation mode, the Cassette Deck will stop four seconds after the CD Player stops. If the Remote Control is in Cassette Deck operation mode, the CD Player and Cassette Deck will stop simultaneously.

To cancel Auto Edit, press PROGRAM/RANDOM while the CD Player is stopped or press ▲ for the disc number being recorded.

Note: When making Sleep timer settings while using Auto Edit recording, set the time so that there is enough leeway to finish the recording before the power goes out. If the time is set to about the length of the CD, the power may go out before recording finishes.

Tape to Tape Recording (Dubbing)

Recording from one tape to another is called dubbing.

- When dubbing tapes, make sure that the playback direction of Deck A and Deck B are the same.
- When you record both sides of a tape, press REVERSE MODE to turn on the Reverse Mode.
- It is preferable that the type of tape (Type I or Type II) you record from be the same as the type you record onto.

How to Use DUBBING

- Press TAPE** ← →, then ■ STOP.
- Insert the source cassette you want to copy from into Deck A for playback.**
Insert the cassette so that it will be played in the forward (▶) direction.
- Insert the blank or erasable cassette you want to copy onto into Deck B for recording.**
Insert the cassette so that it will be recorded in the forward (▶) direction.
- Press DUBBING.**
Deck A and Deck B start simultaneously.

To stop dubbing, press ■ STOP.

- When dubbing, you can hear Sound Mode effects through the speakers or headphones. However, the sound is dubbed without Sound Mode effects.

The timers let you control recording and listening functions automatically. Three types of timers are available.

- Daily Timer** — Use this timer to set wake up everyday to music from any source, instead of an alarm clock.
- Recording Timer** — Unattended recording of radio broadcasts. You can set the starting time and stopping time of the recording.
- Sleep Timer** — Fall asleep and have your Unit turn off automatically after a certain length of time.

Note: When operating the Daily Timer and Recording Timer, always set the clock first. If the clock is not set, the Daily Timer and Recording Timer functions cannot be used. For details, refer to "Setting the Clock" on page 9.

When the System is being used, the display shows other items as well. However, we have only shown the items described in this section.

Setting the Daily Timer

- With this timer you can wake up to music from a CD, tape, your favourite radio program.
- You can set the Daily Timer whether the Unit is on or off.

Procedure For Setting the Daily Timer

- Press **TIMER/CLOCK** so that **"DAILY"** appears on the display. The DAILY indicator flashes on the display.

- Each time you press the button, the timer setting indication changes as follows:
DAILY → **ON TIME** (flashes) → **REC** → **ON TIME** (flashes) → Clock setting → Cancelled (current source) → (back to the beginning)

Note: If the clock has not been set, even if **TIMER/CLOCK** is pressed you cannot select the Daily Timer.

- Press **TIMER/CLOCK** again. After "ON TIME" flashes for 2 seconds, it switches to the on-time setting display.

ON TIME → [] → Flashing

- Set the time you want the Unit to turn on. Press **← P. DOWN** or **→ P. UP** on the **MULTI CONTROL** to adjust the hours and press **SET**. Then press **← P. DOWN** or **→ P. UP** to adjust the minutes and press **SET**.

7:30 → [] → OFF TIME

- After adjusting the minutes and pressing **SET**, "OFF TIME" flashes for two seconds and on-time setting is completed.

- Set the time you want the Unit to turn off.

Press **← P. DOWN** or **→ P. UP** on the **MULTI CONTROL** to adjust the hours and press **SET**. Then press **← P. DOWN** or **→ P. UP** to adjust the minutes and press **SET**.

8:30 → [] → [] → [] → []

- When the off-time has been set, the indication on the display changes to the source selection.
- To select the source to be played, press **← P. DOWN** or **→ P. UP** on the **MULTI CONTROL** until your choice is shown.

- Select the source you want to listen to.

To use a CD as the source:
 1. Press **← P. DOWN** or **→ P. UP** on the **MULTI CONTROL** repeatedly until "CD" flashes on the display and press **SET**.

[] → [] → [] → []

- Press **← P. DOWN** or **→ P. UP** on the **MULTI CONTROL** repeatedly to select the CD disc number to be played and press **SET**.

If you press **SET** without selecting a disc, the last disc played by the Unit will be used.

3 [] → [] → []

- Press **← P. DOWN** or **→ P. UP** on the **MULTI CONTROL** repeatedly to select the CD track number to be played and press **SET**.

If you press **SET** without selecting a track, playback will start from the first track on the CD.

3 [] → [] → 05

English

English

To use the Tuner as the source (Possible only after presetting stations):
 1. To listen to FM, press **← P. DOWN** or **→ P. UP** on the **MULTI CONTROL** repeatedly until "TUNER FM" flashes and press **SET**.
 To listen to AM, press **← P. DOWN** or **→ P. UP** on the **MULTI CONTROL** repeatedly until "TUNER AM" flashes and press **SET**.

TUNER FM or TUNER AM

- Press **← P. DOWN** or **→ P. UP** on the **MULTI CONTROL** repeatedly to select the station to be listened to as a preset channel and press **SET**.

P-5

To use a Cassette Deck as the source:
 Press **← P. DOWN** or **→ P. UP** on the **MULTI CONTROL** repeatedly until "TAPE" flashes on the display and press **SET**.

TAPE

- Setting the Volume Level. Press **← P. DOWN** or **→ P. UP** on the **MULTI CONTROL** to adjust the volume.

VOL ---

VOL - 10: Sets the volume level to 10.

VOL - 15: Sets the volume level to 15.

VOL - 20: Sets the volume level to 20.

VOL - --: Sets the volume to the last volume setting used.

- Press **SET**.

The DAILY indicator stops flashing and remains lit. The on-time, off-time, playback source (including the disc number and track number if a CD source is selected), and volume level appears on the display. Turn the power off if you made the timer settings with the power turned on.

- A few seconds before the on-time, the Unit automatically turns on the power. When the on-time comes, playback starts using the selected source. A few seconds before the off-time, "OFF" flashes on the display. When the off-time comes, the power is automatically turned off.
- If a button is pressed when the Daily Timer is operating, playback continues but the timer is cancelled.

Before turning off the Unit

- If the source is a CD, make sure that there is a CD in the selected disc number.
- If the source is a tape:
 - The tape in the deck corresponding to the Deck indicator mark is played. Make sure that there is a tape in the selected Cassette Deck.
 - Check that the tape direction is correct. This is important especially when Reverse Mode is off.
 - Set Reverse Mode on if you want to play both sides of the tape.
 - Select the Sound Mode if you want to listen using a Sound Mode effect.

To change the Daily Timer setting

To change the settings for the Daily Timer, repeat the setting procedure from the beginning.

Turning the Daily Timer On and Off

Once the Daily Timer has been set it will be activated at the same time every day until the setting is turned off.

To turn the Daily Timer off: Press **TIMER/CLOCK** until "DAILY" appears on the display. Press **CANCEL/DEMO**. "OFF" appears on the display and the DAILY indicator goes out.

To turn the Daily Timer on again: Press **TIMER/CLOCK** until "DAILY" appears on the display, then press **SET**. The Timer on-time, off-time, playback source (including the disc number and track number if a CD source is selected), and volume level appear on the display, and the DAILY indicator lights up.

CAUTION: If the Unit is unplugged, or a power failure occurs, the timer setting will be erased in a few days. If the settings are erased in this way, reset the timer settings.

Setting the Recording Timer

With the Recording Timer you can make a tape of a radio broadcast automatically, whether or not you are home. For the timer to work correctly, you need to make sure of the following in addition to setting the time for the Tuner and Cassette Deck to come on:

- You can set the Recording Timer whether the Unit is on or off.
- The tape you want to record onto must be in Deck B.

Procedure for Setting the Recording Timer

1. Press **TIMER/CLOCK** repeatedly until **"REC"** appears on the display. The REC indicator flashes on the display.

- Each time you press the button, the timer setting indication changes as follows:
DAILY → **ON TIME** (flashes) → **REC** → **ON TIME** (flashes) → Clock setting → Cancelled (current source) → (back to the beginning)

Note: If the clock has not been set, even if **TIMER/CLOCK** is pressed, you cannot select the Recording Timer.

2. Press **TIMER/CLOCK** again. After "ON TIME" flashes for 2 seconds, it switches to the time setting display.
3. **Set the time you want the Unit to be turned on.**
 Press **←** or **→** on the MULTI CONTROL to adjust the hours and press **SET**. Then press **↓** or **↑** on the MULTI CONTROL to adjust the minutes and press **SET**.
4. **Set the time you want the Unit to be turned off.**
 Press **←** or **→** on the MULTI CONTROL to adjust the hours and press **SET**. Then press **↓** or **↑** on the MULTI CONTROL to adjust the minutes and press **SET**.
5. **Select the Recording band.**
 Press **←** or **→** on the MULTI CONTROL to select "TUNER FM" or "TUNER AM" and press **SET**.
6. **Select the preset channel for the station to be recorded.**
 Press **←** or **→** on the MULTI CONTROL to select.

7. **Press SET.**
 The REC indicator stops flashing and remains lit. The on-time, off-time, and Recording band ("TUNER FM" or "TUNER AM") appear on the display. Turn the power off if you made the timer settings with the power turned on.

- A few seconds before the on-time for the recording, the Unit automatically turns on the power. When the on-time comes, recording starts using the selected source. A few seconds before the off-time, "OFF" flashes on the display. When the off-time comes, the power is automatically turned off.

Before the timer starts

- Check that tape direction is correct. This is important especially when Reverse Mode is off.
- Set Reverse Mode on if you want to record on both sides of the tape.
- The volume level is automatically set to 0 when Recording Timer starts.

It is very easy, and can be very disappointing, to forget to put in a tape, or to accidentally leave a tape in Deck B you don't want recorded over. Although this happens to almost everyone at one time or another, we hope it won't happen to you!

To change the Recording Timer setting
 Repeat the setting procedure from the beginning.

Turning the Recording Timer On and Off

Once the Recording Timer has been used, the setting is maintained but the Timer is set to off. To turn the Recording Timer off before the timer starts, press **TIMER/CLOCK** repeatedly until "REC" appears on the display, then press **CANCEL/DEMO**. "OFF" appears on the display and the REC indicator goes out.

To record at the same time again, press **TIMER/CLOCK** repeatedly until "REC" appears on the display, then press **SET**. The on-time, off-time, and Recording band ("TUNER FM" or "TUNER AM") appear on the display, and the REC indicator lights up.

CAUTION: If the Unit is unplugged, or a power failure occurs, the timer setting will be erased in a few days. If the settings are erased in this way, reset the timer settings.

Setting the Sleep Timer

Use the Sleep Timer to turn the Unit off after a certain number of minutes when it is playing. By setting this timer, you can fall asleep to music and know your Unit will turn off by itself rather than play all night.

- You can only set the Sleep Timer when the Unit is on and a source is playing.

To set the **SLEEP** Timer, follow this procedure:

1. With the Unit on and a source playing, press **SLEEP** on the Remote Control. "SLEEP" appears on the display.

SLEEP 10

2. Set the length of time you want the source to play before shutting off.

- Each time you press this button while the SLEEP indicator is flashing, it changes the number of minutes shown on the display in this sequence:
 → 10 → 20 → 30 → 60 → 90 → 120 → Cancelled → (back to the beginning)

When the number of minutes you want shows on the display, just wait 5 seconds until the indicator stops flashing, and remains lit.

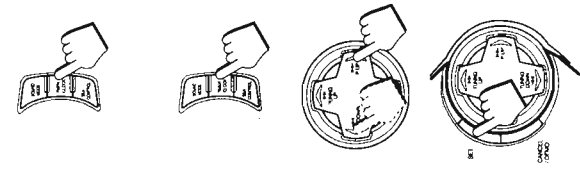
The Unit is now set to turn off after the number of minutes you set.

To change the Sleep Timer setting

Press **SLEEP** until the number of minutes you want appears on the display.

To cancel the Sleep Timer setting

Press **SLEEP** until the SLEEP indicator goes out on the display. Turning off the Unit also cancels the Sleep Timer.

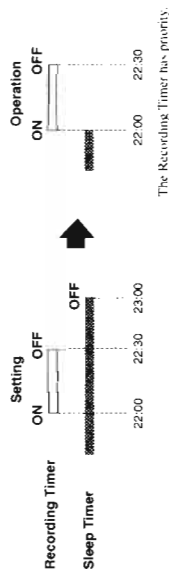


Timer Priority

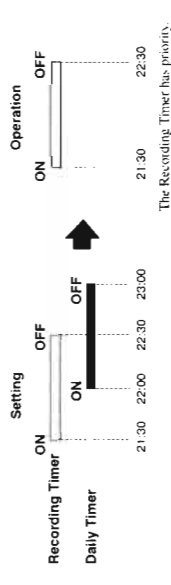
Since each timer can be set independently, you may wonder what happens, if the settings overlap. Here are the priorities for each timer:

- The Recording Timer always has priority. This means that:
 - If another timer is set to come on during a time when the Recording Timer is operating, the other timer just will not come on at all, so you will always get the entire program on tape.
 - If the Recording Timer is set to come on while another timer is operating, the other timer will shut off 10 seconds before the Recording Timer is set to turn on, and the Recording Timer will then take over.
- If the Sleep Timer is set while the Daily Timer is operating, the Sleep Timer will take over. However, if the Daily Timer is set to come while the Sleep Timer is operating, the Daily Timer will take over.

Example 1



Example 2



Care and Maintenance

Compact Discs

Handle your compact discs, cassette tapes, and Cassette Deck carefully, and they will last a long time.

- Remove the CD from the case by holding it at the edges while pressing the center hole lightly.
- Do not touch the shiny surface of the CD, or bend the CD.
- Put the CD back in its case after use to prevent warping.
- Be careful not to scratch the surface of the CD when placing it back in the case.
- Avoid exposure to direct sunlight, temperature extremes, and moisture.
- A dirty CD may not play correctly. If a CD does become dirty, wipe it with a soft cloth in a straight line from center to edge.



CAUTION: Do not use any solvent (for example, conventional record cleaner, spray thinner, benzene, etc.) to clean a CD.

Cassette Tapes

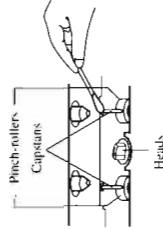
- If the tape is loose in its cassette, take up the slack by inserting a pencil in one of the reels and rotating.
- If the tape is loose, it may get stretched, cut, or caught in the cassette.
- Do not touch the tape surface.



- Do not store the tape:
 - In dusty places.
 - In direct sunlight or heat.
 - In moist areas.
 - On a TV or speaker.
 - Near a magnet.

Cassette Deck

- If the heads, capstans, and pinch-rollers of the Cassette Deck become dirty, the following will occur:
 - Loss of sound quality
 - Discontinuous sound
 - Fading
 - Incomplete erasure
 - Difficulty recording
- Clean the heads, capstans, and pinch-rollers using a cotton swab moistened with alcohol.



- If the heads become magnetized, the Unit will produce noise or lose high frequencies.
- To demagnetize the heads, turn off the Unit, and use a head demagnetizer (available at electronics and record shops).

Moisture Condensation

Moisture may condense on the lens inside the Unit in the following cases:

- After starting the heating in the room.
- In a damp room.
- If the Unit is brought directly from a cold to a warm place.

Should this occur, the Unit may malfunction. In this case, leave the Unit turned on for a few hours until the moisture evaporates, unplug the AC power cord, and then plug it in again.



General Notes

- In general, you will have the best performance by keeping your tapes, CDs, and the mechanism clean.
- Store tapes and CDs in their cases, and keep them in cabinets or on shelves.
 - Keep the Cassette Deck's tape doors and the CD trays closed when not in use.

Troubleshooting

- If you are having a problem with your System, check this list for a possible solution before calling for service.
- If you cannot solve the problem from the hints given here, or the Unit has been physically damaged, call a qualified person, such as your dealer, for service.

Symptom	Possible Cause	Action
No sound is heard.	Connections are incorrect, or loose.	Check all connections and make corrections. (See pages 4 - 6.)
Unable to record.	Cassette record protect tabs are removed.	Cover holes on back edge of cassette with tape.
Poor radio reception	<ul style="list-style-type: none"> The antenna is disconnected. The AM Loop Antenna is too close to the Unit. The FM Wire Antenna is not properly extended and positioned. 	<ul style="list-style-type: none"> Reconnect the antenna securely. Change the position and direction of the AM Loop Antenna. Extend FM Wire Antenna to the best reception position.
The CD skips.	The CD is dirty or scratched.	Clean or replace the CD.
Unable to operate the Remote Control.	<ul style="list-style-type: none"> The path between the Remote Control and the sensor on the Unit is blocked. The batteries have lost their charge. 	<ul style="list-style-type: none"> Remove the obstruction. Replace the batteries.
The CD tray cannot be opened.	The main AC power cord is not plugged in.	Plug in the AC power plug.
The CD does not play.	The CD is upside down.	Put the CD in with the label side up.
Operations are disabled.	The built-in microprocessor has malfunctioned due to external electrical interference.	Unplug the Unit then plug it back in.
The cassette door cannot be opened.	During tape playing, the power cord was unplugged.	Plug in the power cord, press ⏻ and then press ▶ .

English

Specifications

Amplifier Section

Output Power (IEC 268-3/DIN): 45 watts per channel, min. RMS, both channels driven into 6 ohms at 1 kHz with no more than 0.9% total harmonic distortion.
 From: 25 watts, min. RMS, driven into 8 ohms at 1 kHz with no more than 0.9% total harmonic distortion.
 Centre: 12.5 watts per channel, min. RMS, both channels driven into 16 ohms at 1 kHz with no more than 0.9% total harmonic distortion.

Frequency Response

Type (H/FREQ): 50 - 14,000 Hz
 Type (NORMAL): 50 - 14,000 Hz

Wow And Flutter

(1.5% WRMS)

Input Sensitivity/Impedance (1 kHz)

AUX: 300 mV/50 kohms
 Speaker terminals: 6 - 16 ohms

Cassette Deck Section

Frequency Response

Type (H/FREQ): 50 - 14,000 Hz
 Type (NORMAL): 50 - 14,000 Hz

Wow And Flutter

(1.5% WRMS)

CD Automatic Changer Section

CD Capacity

3 discs

Dynamic Range

85 dB

Signal-To-Noise Ratio

90 dB

Wow And Flutter

Unmeasurable

Tuner Section

FM Tuner

Tuning Range: 87.5 - 108.0 MHz

AM Tuner

Tuning Range: MW: 522 - 1,629 kHz
 LW: 144 - 288 kHz

Dimensions

265 x 318 x 340 mm (W/H/D)
 10-7/16 x 12-7/16 x 13-7/16 inches

Mass

9.0 kg (19.8 lbs)

Accessories

AM Loop Antenna (1)

Remote Control (1)

Batteries (6P SCUM-3/AAA (15F) (2)

FM Wire Antenna (1)

Power Specifications

Power Requirements

AC 230 V ~, 50 Hz

Power Consumption

160 watts
 12 watts (in standby mode)

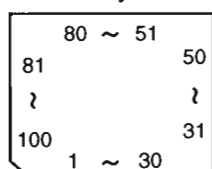
Design and specifications are subject to change without notice.

English

Description of Major ICs

■UPD780206GF-039 (IC801) : System control micon

1. Terminal Layout

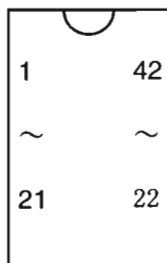


2. Pin Function

No.	Symbol	I/O	Function	No.	Symbol	I/O	Function
1	VDD	-	Power supply.	33	SPIDTI	I	SPI DATA analog signal input.
2	SPICSB	O	SPI IC chip select signal output.	34	AVDD	-	Power supply for AD converter.
3	SPIA	O	SPI IC control-A.	35	AVREF	-	A/D REF voltage.
4	SPIB	O	SPI IC control-B.	36	$\overline{\text{REMI\N}}$	I	Remote control signal input.
5	PHOTOA	I	Tape A mechanism running detection.	37	$\overline{\text{MPX}}$	I	MPX IN (Stereo INDI.)
6	PHOTOB	I	Tape B mechanism running detection.	38	$\overline{\text{OSDCK/RDCK}}$	I/O	OSD clock output or RDS clock input.
7	MSI	I	Music scan input.				
8	SPIC	O	SPI IC control-C	39	$\overline{\text{PRT}}$	I	Protector input.
9	BEAT	O	Beat cut output (TUNER).	40	VSS	-	Connect to GND.
10	$\overline{\text{RESET}}$	I	System reset signal.	41	$\overline{\text{INH}}$	I	Inhibit signal input (Back up).
11	X2	O	Main clock 4.19MHz.	42	HPHONE	I	Headphone input.
12	X1	I	Main clock 4.19MHz.	43	OSDDA/RSDA	I/O	OSD data output or RDS data input.
13		-	Non connect.				
14	XT2	-	Sub clock 32.76kHz.	44	PROSACK	O	Prologic/SA Bass/EXT IC clock.
15	XT1	-	Sub clock 32.76kHz.	45	PROSADA	O	Prologic/SA Bass/EXT IC data.
16	VDD	-	Power supply.	46	VDD	-	Power supply.
17	CK	O	Serial clock signal output to IC304 IC303,IC802,IC2.	47	FVOLDA	O	Front VOL data output to IC401.
				48	VOLCK	O	Clock signal output to IC401.
18	DATA	I/O	Serial data signal output to IC304 IC303,IC802,IC2.	49	RVOLDA	O	Rear VOL data output.
				50	OSDOFF	I	OSD OFF.
19	POUT	O	Power ON/Standby.	51	SLCCE	O	Chipenable signal output to IC303,IC304.
20	VC3RESET	O	Reset signal output to IC251.				
21	MRDY	I	Ready signal from IC251.	52	TUCE	O	Chip enable signal to Tuner (IC2).
22	KCLK	I	Clock signal from IC251.	53	PROCE	O	Chip enable signal to prologic.
23	KCMND	O	Command to IC251.	54	SABCE	O	Chip enable signal to SA Bass.
24	MSTAT	I	VC3 MSTAT.	55	OSDCE	O	Chip enable signal to OSD.
25	AVSS	-	Connect to GND.	56	DSPCE	O	Chip enable signal to DSP.
26	KEY1	I	Key matrix signal input.	57	EXTCE	O	Chip enable signal to EXT(IC802).
27	KEY2	I	Key matrix signal input.	58	SMUTE	O	System mute output.
28	KEY3	I	Key matrix signal input.	59	VOLU+	I	Rotary encoder VOL +
29	KEY4	I	Key matrix signal input.	60	VOLU-	I	Rotary encoder VOL -
30	SLCKEY1	I	SLC Key input	61~78	S1~S18	O	FL segment control signal.
31	SLCKEY2	I	SLC Key input	79	VLOAD	-	Power supply.
32	SLCKEY3	I	SLC Key input	80~91	S19~S30	O	FL segment control signal.
				92~100	G9~G1	O	FL grid control signal.

■ LA2786 (IC501) : Dolby Pro Logic Surround Signal Processor

1. Terminal Layout

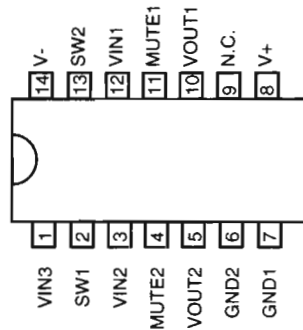


2. Pin Functions

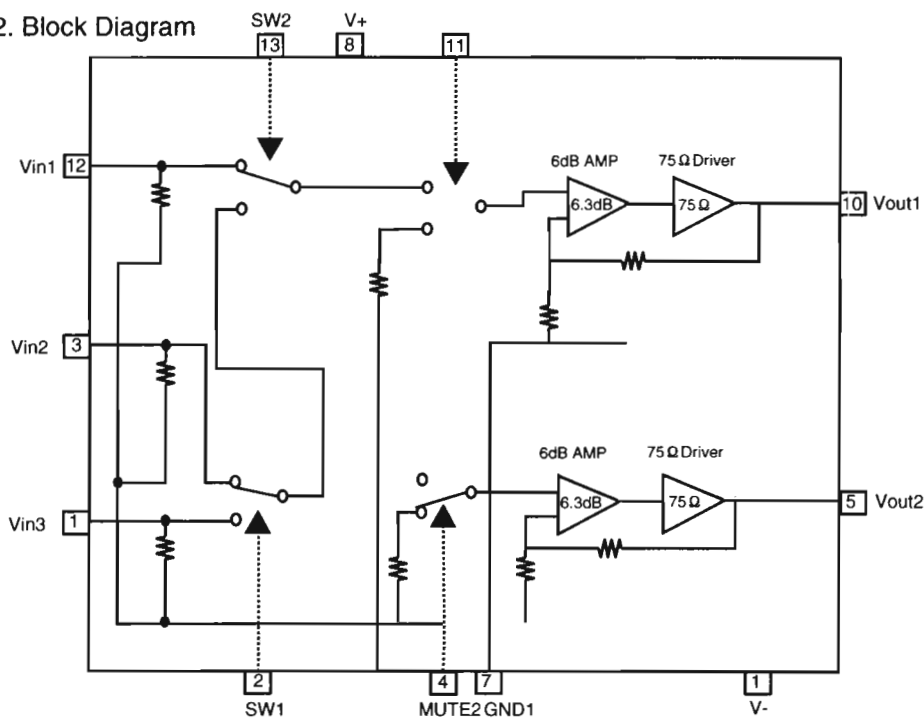
Pin No	Symbol	I/O	Function	Pin No	Symbol	I/O	Function
1	NS-BPF1	--	Capacitor for spectrum in noise sequencer	22	VCS-1	--	Capacitor for time constant (in log defferential area)
2	NS-BPF2	--	Capacitor for spectrum in noise sequencer	23	VCS-2	--	Capacitor for time constant (in log defferential area)
3	VREF	--	Analog reference voltage	24	VCS-TH	--	Capacitor for time constant (in log defferential area)
4	S-DC-OUT	--	Capacitor for DC-cut Sch	25	L+R RECT	--	Capacitor for Center Channel detection
5	C-DC-OUT	--	Capacitor for DC-cut Cch	26	DC-CUT	--	Capacitor for DC-cut at detection circuit
6	L-DC-OUT	--	Capacitor for DC-cut Lch	27	L-R RECT	--	Capacitor for Surround channel detection
7	R-DC-OUT	--	Capacitor for DC-cut Rch	28	DC-CUT	--	Capacitor for DC-cut at detection circuit
8	VREF BUFFER	--	VREF low impedance	29	R-BPF3	--	LPF,HPF for Lch Right channel control circuit
9	L-IN	I	Left channel signal input	30	R-BPF2	--	LPF,HPF for Lch Right channel control circuit
10	R-IN	I	Ground	31	R-BPF1	--	LPF,HPF for Lch Right channel control circuit
11	GND	--	LPF,HPF for Lch control	32	C-TRIM DC-CUT	--	Capacitor for DC-cut Center Channel
12	L-BPF1	--	LPF,HPF Left channel control circuit	33	C-MODECAP8	--	Capacitor for Center Channel output low pass filter
13	L-BPF2	--	LPF,HPF Left channel control circuit	34	C-OUT	O	Center signal output
14	L-BPF3	--	LPF,HPF Left channel detection	35	S-OUT	O	Surround signal output
15	DC-CUT	--	Capacitor for DC-cut at detection circuit	36	R-OUT	O	Right channel signal output
16	R RECT	--	Capacitor Right channel detection	37	L-OUT	O	Left channel signal output
17	DC-CUT	--	Capacitor for DC-cut at detection circuit	38	Vcc	--	Power supply
18	L RECT	--	Capacitor for Left channel detection	39	OSC	--	Oscillation for noise sequencer and auto balance
19	VLR-TH	--	Capacitor for time constant (in log differential area)	40	STB	I	Strobe signal input
20	VLR-2	--	Capacitor for time constant (in log defferential area)	41	DATA	I	Serial interface data input
21	VLR-1	--	Capacitor for time constant (in log defferential area)	42	CLK	I	Serial interface clock

■ LV1016 (IC541) : Dolby Surround Passive Decoder

1. Terminal Layout

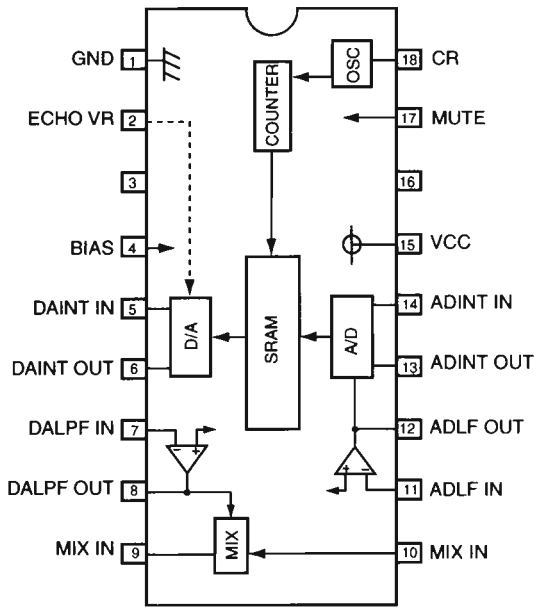


2. Block Diagram



■ BU9253AS (IC201) : Echo Mixing

1. Block Diagram

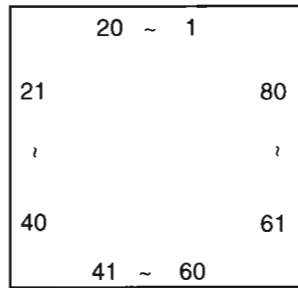


2. Pin Function

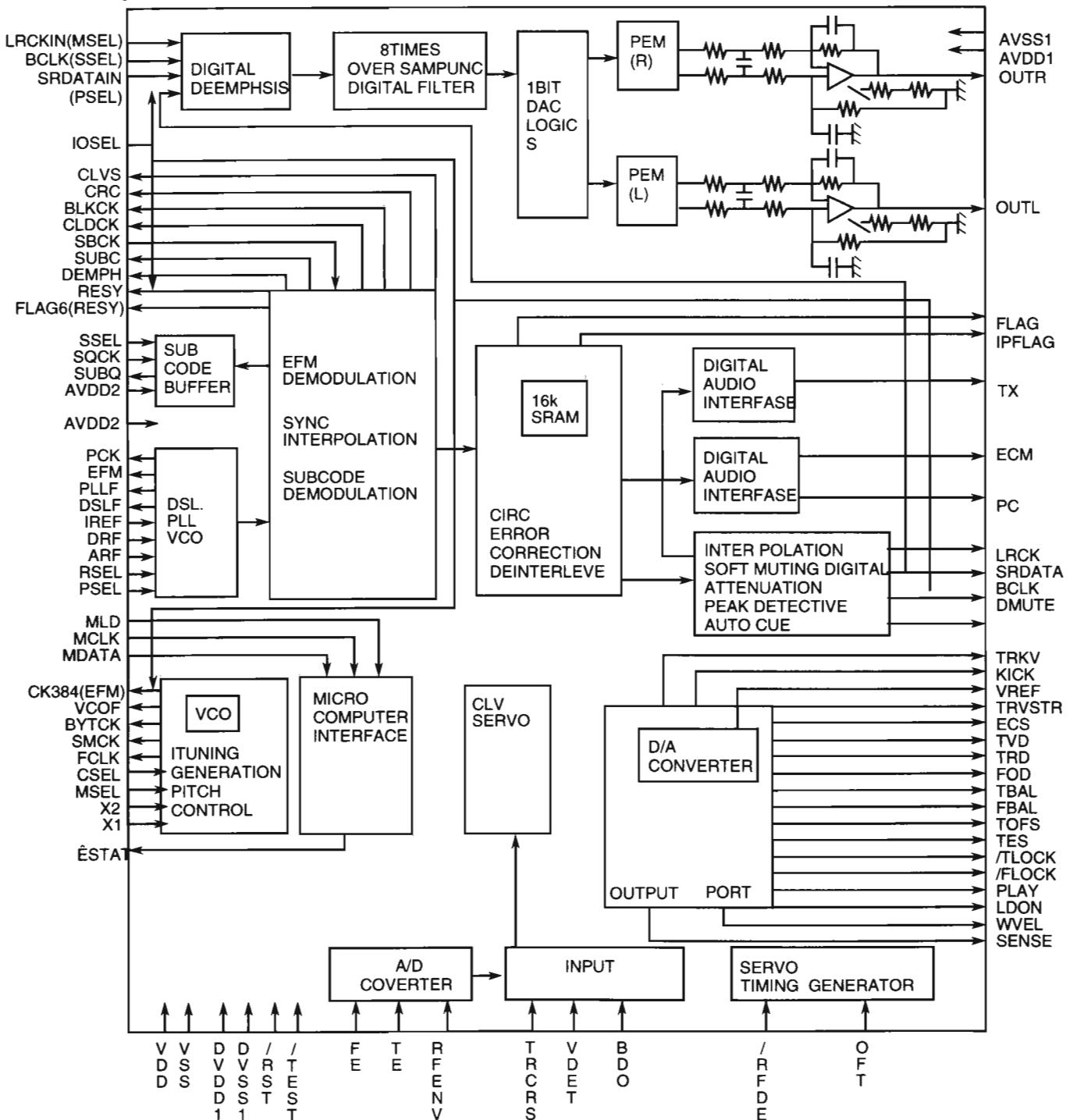
Pin No.	Symbol	I/O	Function
1	GND	-	Ground pin
2	ECHO VR Echo	I	Echo level control
3	NC1	-	Non connection
4	BIAS	-	Analog part DC bias
5	DAINT IN	I	DA side Integrator input
6	DAINT OUT	O	DA side integrator output
7	DALPF IN	I	DA side LPF input
8	DALPF OUT	O	DA side LPF output
9	MIX OUT	O	Mix AMP input pin for original tone
10	MIX IN	I	Mix AMP input pin for original tone
11	ADLPF IN	I	AD side LPF input
12	ADLPF OUT	O	AD side LPF output
13	ADINT OUT	O	AD side Integrator output
14	ADINT IN	I	AD side integrator input
15	VCC	-	VCC pin
16	NC2	-	Non connection
17	MUTE	I	Mute control
18	CR	-	CR pin for Oscillator

■ MN35510 (IC651) : DIGITAL SERVO&DIGITAL SIGNAL PROCESSER

1. Terminal Layout

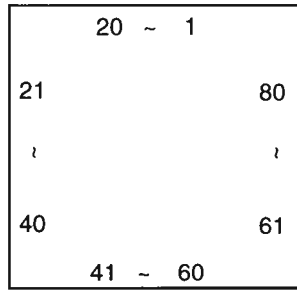


2. Block Diagram

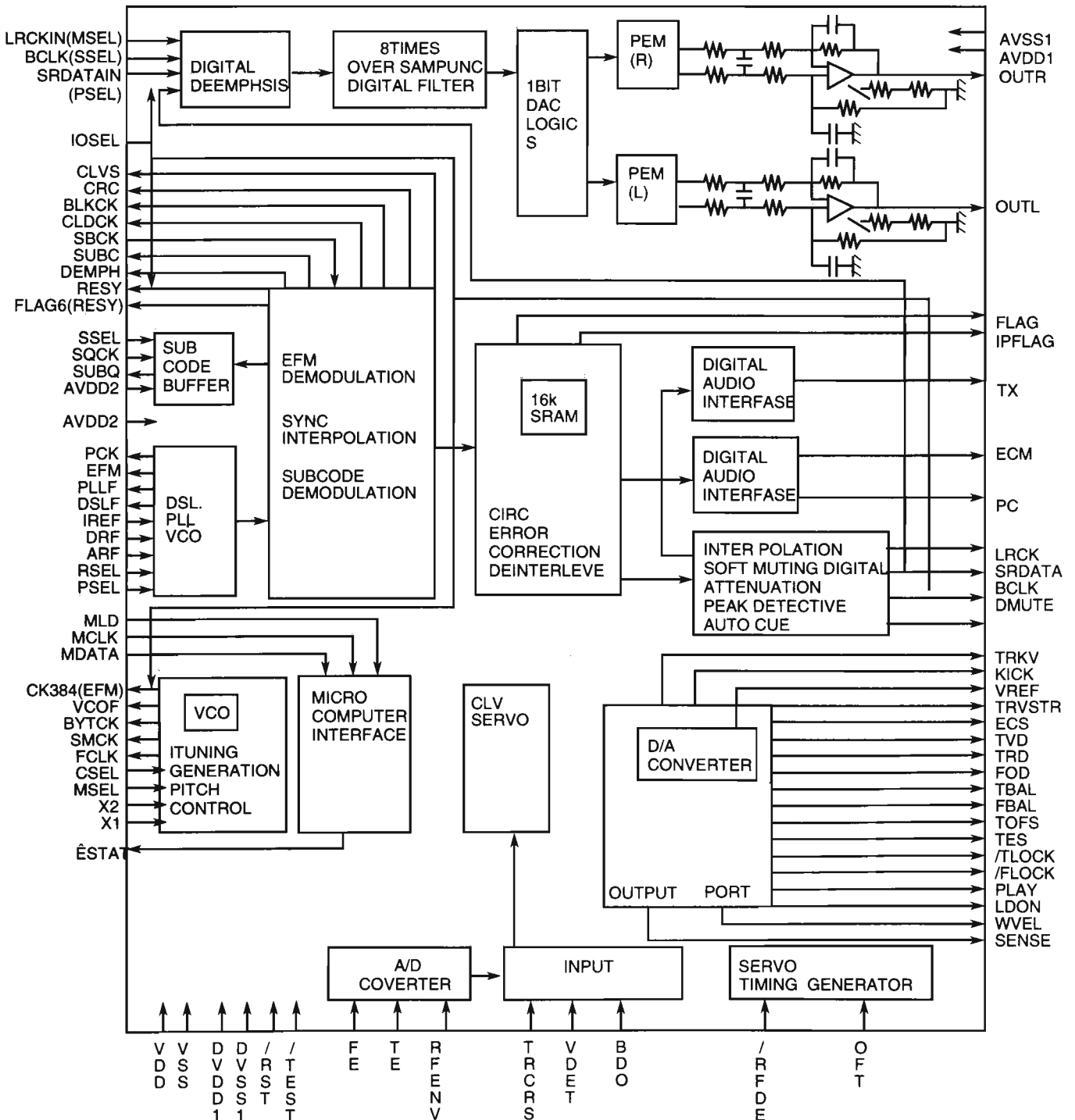


■ MN35510 (IC651) : DIGITAL SERVO&DIGITAL SIGNAL PROCESSER

1. Terminal Layout



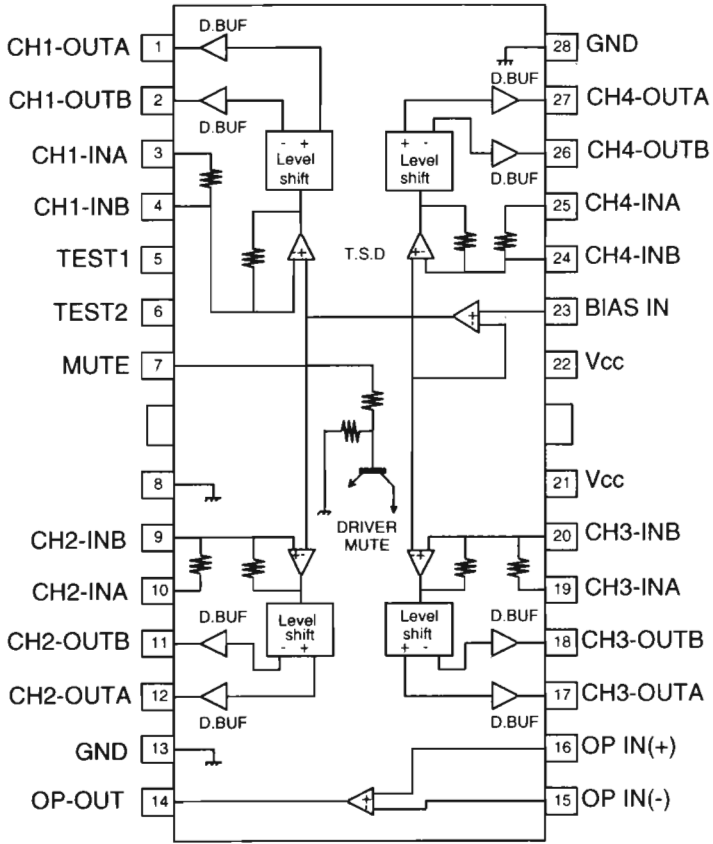
2. Block Diagram



3. Description

Pin No.	symbol	I/O	Description	Pin No.	symbol	I/O	Description
1	BCLK	O	Not used	41	TES	O	Tracking error shunt signal output(H:shunt)
2	LRCK	O	Not used	42	PLAY	—	Not used
3	SRDATA	O	Not used	43	WVEL	—	Not used
4	DVDD1	—	Power supply (Digital)	44	ARF	I	RF signal input
5	DVSS1	—	Connected to GND	45	IREF	I	Reference current input pin
6	TX	O	Digital audio interface output	46	DRF	I	Bias pin for DSL
7	MCLK	I	μ com command clock signal input (Data is latched at signal's rising point)	47	DSL F	I/O	Loop filter pin for DSL
8	M DATA	I	μ com command data input	48	PLL F	I/O	Loop filter pin for PLL
9	MLD	I	μ com command load signal input	49	VCOF	—	Not used
10	SENSE	O	Sence signal output	50	AVDD2	—	Power supply(Analog)
11	FLOCK	O	Focus lock signal output Active :Low	51	AVSS2	—	Connected to GND(Analog)
12	TLOCK	O	Tracking lock signal output Active :Low	52	EFM	—	Not used
13	BLKCK	O	sub-code·block·clock signal output	53	PCK	—	Not used
14	SQCK	I	Outside clock for sub-code Q resister input	54	PDO	—	Not used
15	SUBQ	O	Sub-code Q -code output	55	SUBC	—	Not used
16	DMUTE	—	Connected to GND	56	SBCK	—	Not used
17	STATUS	O	Status signal (CRC,CUE,CLVS,TTSTOP,ECLV,SQOK)	57	VSS	—	Connected to GND(for X'tal oscillation circuit)
18	RST	I	Reset signal input (L:Reset)	58	X1	I	Input of 16.9344MHz X'tal oscillation circuit
19	SMCK	—	Not used	59	X2	O	Output of X'tal oscillation circuit
20	PMCK	—	Not used	60	VDD	—	Power supply(for X'tal cscillation circuit)
21	TRV	O	Traverse enforced output	61	BYTCK	—	Not used
22	TVD	O	Traverse drive output	62	CLDCK	—	Not used
23	PC	—	Not used	63	FLAG	—	Not used
24	ECM	O	Spindle motor drive signal (Enforced mode output) 3-State	64	IPPLAG	—	Not used
25	ECS	O	Spindle motor drive signal (Servo error signal output)	65	FLAG	—	Not used
26	KICK	O	Kick pulse output	66	CLVS	—	Not used
27	TRD	O	Tracking drive output	67	CRC	—	Not used
28	FOD	O	Focus drive output	68	DEMPH	—	Not used
29	VREF	I	Reference voltage input pin for D/A output block (TVD,FOD,FBA,TBAL)	69	RESY	—	Not used
30	FBAL	O	Focus Balance adjust signal output	70	IOSEL	—	pull up
31	TBAL	O	Tracking Balance adjust signal output	71	TEST	—	pull up
32	FE	I	Focus error signal input(Analog input)	72	AVDD1	—	Power supply(Digital)
33	TE	I	Tracking error signal input(Analog input)	73	OUT L	O	Lch audio output
34	RF ENV	I	RF envelope signal input(Analog input)	74	AVSS1	—	Connected to GND
35	VDET	I	Vibration detect signal input(H:detect)	75	OUT R	O	Rch audio output
36	OFT	I	Off track signal input(H:off track)	76	RSEL	—	pull up
37	TRCRS	I	Track cross signal input	77	CSEL	—	Connected to GND
38	RFDET	I	RF detect signal input(L:detect)	78	PSEL	—	Connected to GND
39	BDO	I	BDO input pin(L:detect)	79	MSEL	—	Connected to GND
40	LDON	O	Laser ON signal output(H:on)	80	SSEL	—	Pull up

■ BA6897FP (IC801) : 4channel driver

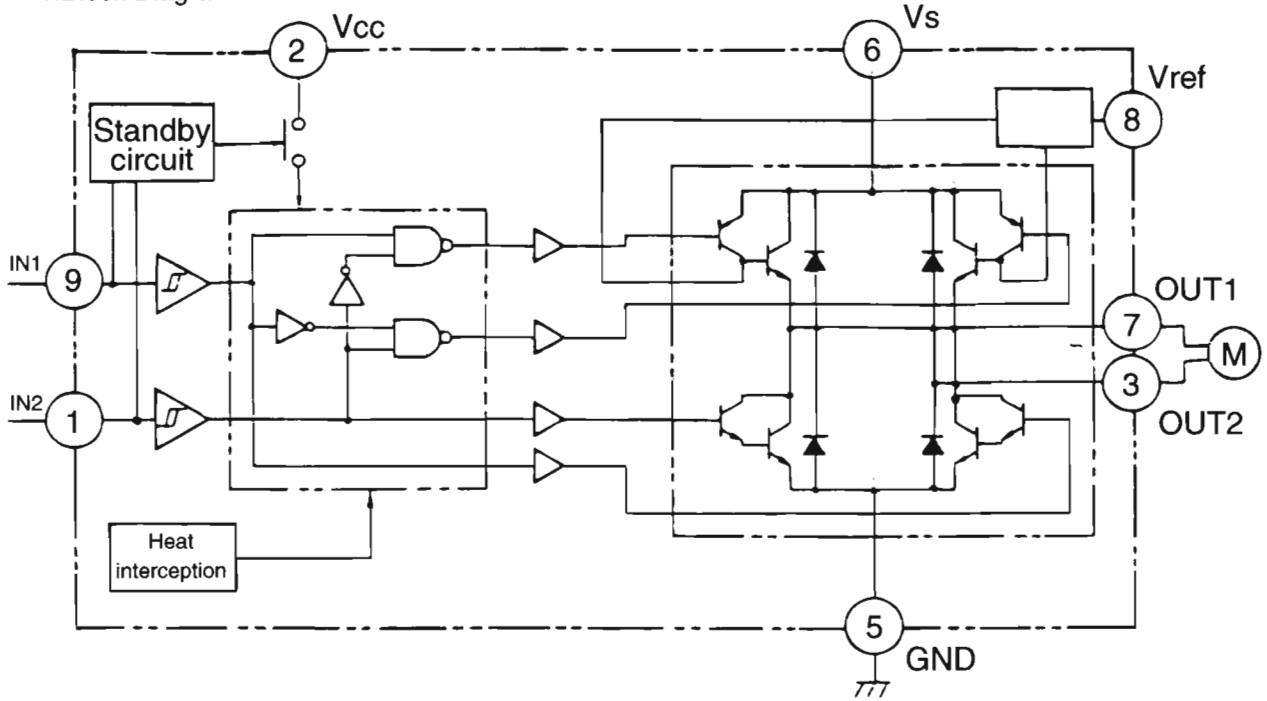


3. Functions

Pin No.	Symbol	I/O	Functions and operations
1	PD	I	APC amp input terminal
2	LD	O	APC amp output terminal
3	LD ON	I	APC ON/OFF control terminal
4	LDP	--	Connect to ground
5	VCC	--	Power supply
6	RF-	I	Inverse input pin for RF amp
7	RF OUT	O	RFamp output
8	RF IN	I	RF input
9	C.AGC	I/O	Connecting pin of AGC loop filter
10	ARF	O	RF output
11	C.ENV	I/O	A capacitor is connected to this terminal to detect the envelope of RF signal
12	C.EA	I/O	A capacitor is connected to this terminal to detect the envelope of RF signal
13	CS BDO	I/O	A capacitor is connected to detect the lower envelope of RF signal
14	BDO	O	BDO output pin
15	CS BRT	I/O	A capacitor is connected to detect the lower envelope of RF signal
16	OFTR	O	Of-track status signal output
17	/NRFDET	O	RF detection signal output
18	GND	--	Ground
19	ENV	O	Envelope output
20	VREF	O	Reference voltage output
21	LD OFF	--	Connect to ground
22	VDET	O	Vibration detection signal output
23	TE BPF	I	Input pin of tracking error through BPF
24	CROSS	O	Tracking error cross output
25	TE OUT	O	Tracking error signal output
26	TE-	I	Inverse input pin for tracking error amp
27	FE OUT	O	Output pin of focus error
28	FE-	I	Inverse input pin for focus error amp
29	FBAL	I	Focus balance control
30	TBAL	I	Tracking balance control
31	PDFR	I/O	F I-V amp gain control
32	PDER	I/O	E I-V amp gain control
33	PDF	I	I-V amp input
34	PDE	I	I-V amp input
35	PD BD	I	I-V amp input
36	PD AC	I	I-V amp input

■ TA8409S (IC851.852) : CD Changer Motor Driver

1. Block Diagram

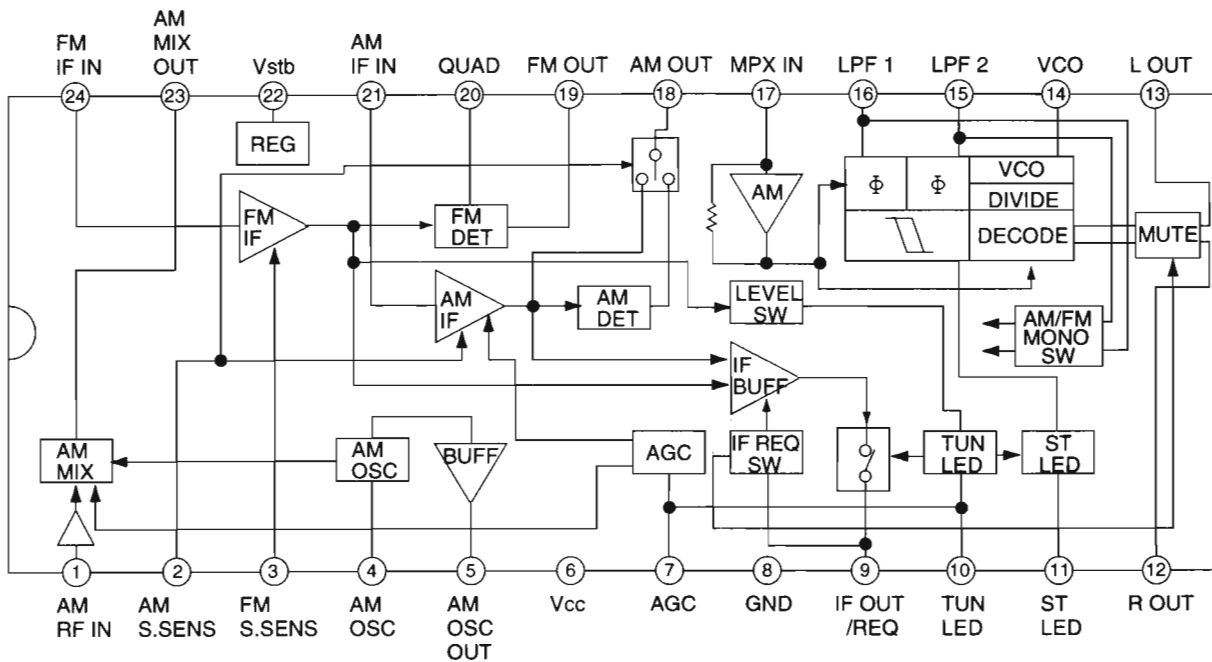


2. Function

INPUT		OUTPUT		MODE
IN1	IN2	OUT1	OUT2	MOTOR
0	0	∞	∞	STOP
1	0	H	L	CW/CCW
0	1	L	H	CCW/CW
1	1	L	L	BRAKE

■ TA2057N (IC1) : FM/AM IF AMP & Detector

1. Block Diagrams



2. Pin Function

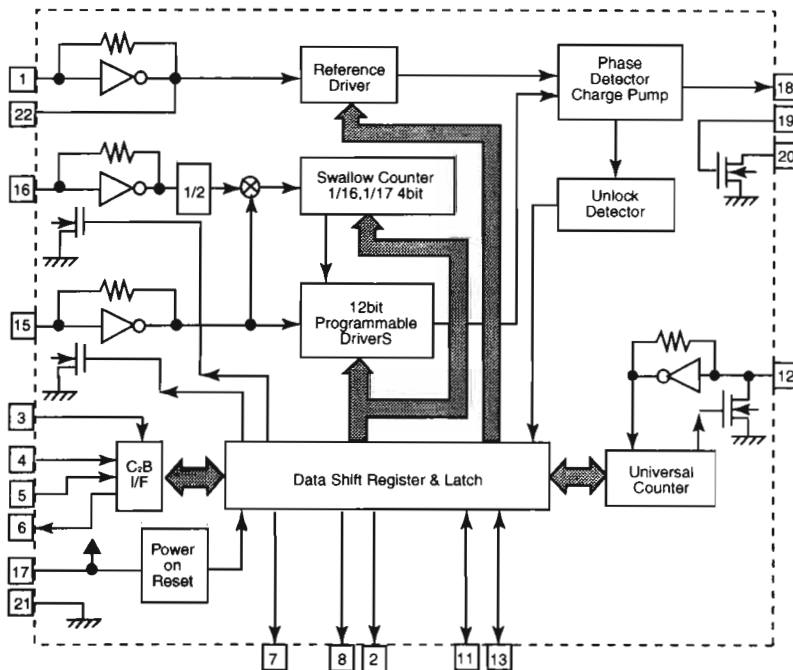
Pin No.	I/O	Symbol	Function	Pin No.	I/O	Symbol	Function
1	I	AM RF	AMRF signal input	13	O	Lch OUT	Output Lch
2		AM S.SENS		14	O	VCO	Voltage controlled terminal
3		FM S.SENS		15	O	LPF2	When voltage of terminal is MONO at "H" and ST at "L"
4	-	AM OSC	AM local oscillation circuit	16	O	LPF1	When voltage of terminal is AM at "H" and FM at "L"
5	O	AM OSC OUT	AM local oscillation signal output	17	I	MPX IN	Multi plex signal input
6	-	VCC	Power supply	18	O	AM OUT	AM detection signal output
7	I	AGC	AGC voltage input terminal	19	O	FM OUT	FM detection signal output
8	-	GND	Connect to GND	20	I	FM QUAD	Bypass to FMIF
9	O	IF OUT	IF REQ signal output to IC2	21	I	AM IF IN	Input of AMIF signal
10	O	TU IND	Indicator drive output when tuning	22	-	Vst	Fixed voltage output terminal
11	O	ST IND	Stereo indicator output "H"mono . "L"stereo	23	O	AM MIX OUT	Output terminal for AM mixer
12	O	Rch OUT	Output Rch	24	I	FM IF IN	Input of FMIF signal

■ LC72136N (IC2) : PLL Frequency synthesizer LSI

1. Layout

XT	1	22	XT
FM/AM	2	21	GND
CE	3	20	LPFOUT
DI	4	19	LPFIN
CLOCK	5	18	PD
DO	6	17	VCC
FM/ST/VCO	7	16	FMIN
AM/FM	8	15	AMIN
	9	14	POLAR
	10	13	IFCONT
SDIN	11	12	IFIN

2. Block

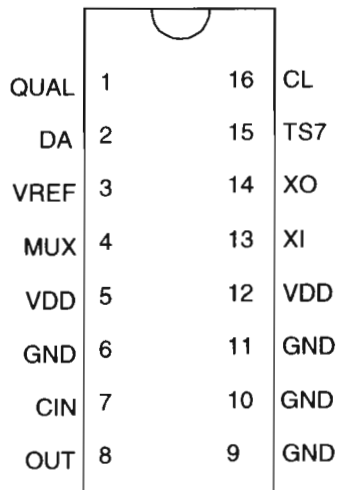


3. Function

Pin No.	Symbol	I/O	Function	Pin No.	Symbol	I/O	Function
1	XT	I	X'tal oscillator connect (75KHz)	12	IFIN	I	IF counter signal input
2	FM/AM	O	LOW:FM mode	13	IFCONT	O	IF signal output
3	CE	I	When data output/input for 4pin(input) and 6pin(output): H	14	POLAR	O	FM High Band:Low FM Low Band(Auto):High (Mono):Low
4	DI	I	Input for receive the sirisl data from controller	15	AMIN	I	AM Local OSC signal output
5	CLOCK	I	Sync signal input use	16	FMIN	I	FM Local OSC signal input
6	DO	O	Data output for Controller Output port	17	VCC	-	Power suply(VDD=4.5~5.5V) When power ON:Reset circuit move
7	FM/ST/VCO	O	"Low": MW mode	18	PD	O	PLL charge pump output(H: Local OSC frequency Height than Reference frequency. L: Low Agreement: Height impedance)
8	AM/FM	O	Not use	19	LPFIN	I	Input for active lowpassfilter of PLL
9		-	Not use	20	LPFOUT	O	Output for active lowpassfilter of PLL
10		-	Input/output port	21	GND	-	Connected to GND
11	SDIN	I/O	Data input/output	22	XT	I	X'tal oscillator(75KHz)

■ BU1923 (IC4) : RDS Detector

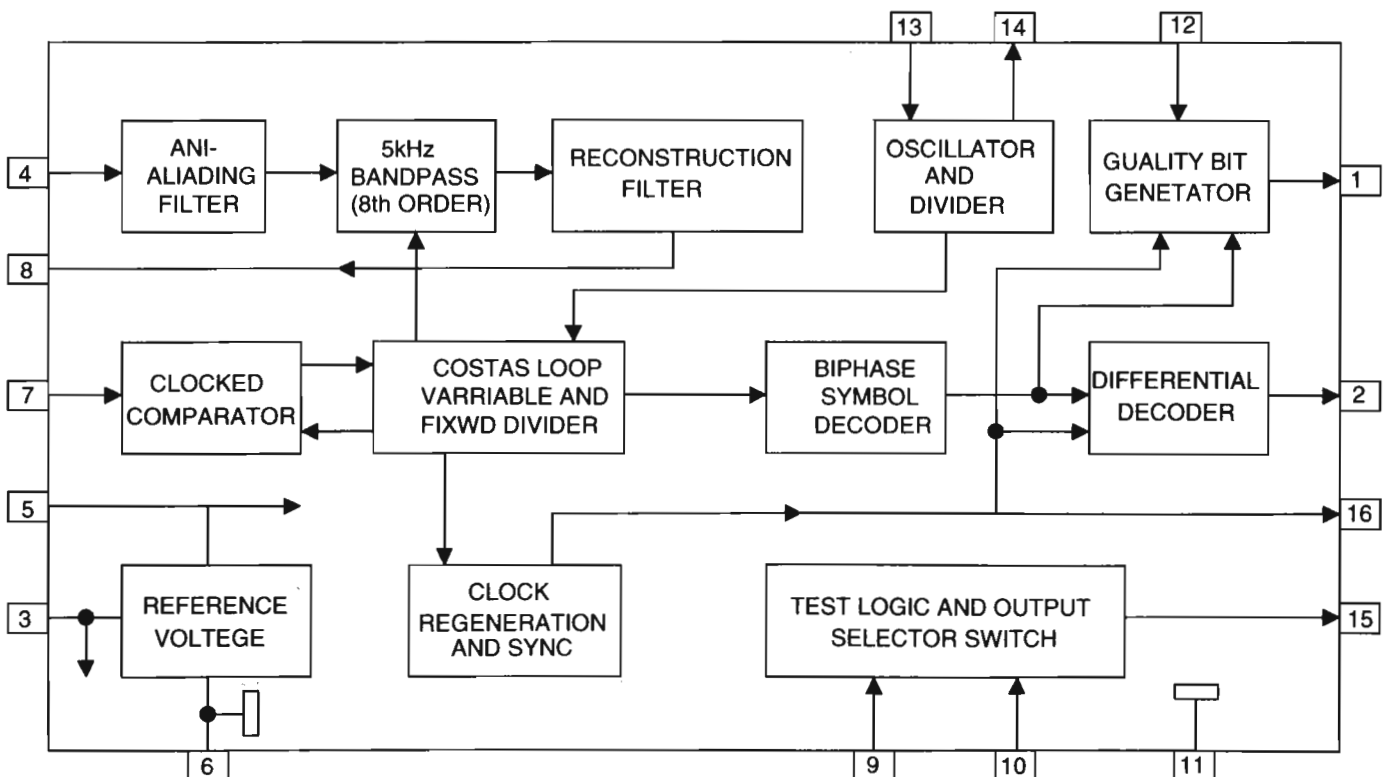
1. Terminal Layout



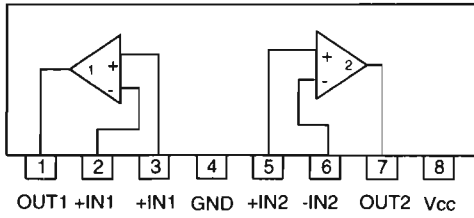
2. Pin Function

Pin No	Symbol	I/O	Function
1	QUAL	--	Non connection
2	DA	O	RDS data output
3	VREF	O	Reference voltage output
4	MUX	I	Multiplex signal input
5	VDD	--	+5Vsupply voltage for analog
6	GND	--	Ground for analog part(0V)
7	CIN	I	Subcarrier outputof reconstruction filter
8	OUT	O	Ground for digital part(0V)
9	GND	--	Ground for digital part(0V)
10	GND	--	Ground for digital part(0V)
11	GND	--	Ground for digital part(0V)
12	VDD	--	+5Vsupply voltage for digital part
13	XI	I	Oscilator input
14	XO	O	Oscilator output
15	TS7	--	Non connection
16	CL	O	RDS clock output

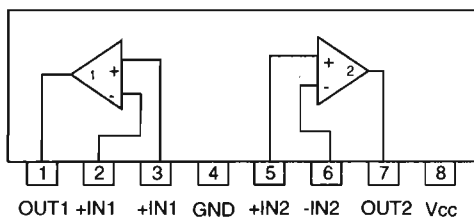
3. Block Diagram



■ BA15218 (IC7, IC402, IC403, IC405, IC407, IC562) : Dual Ope Amp

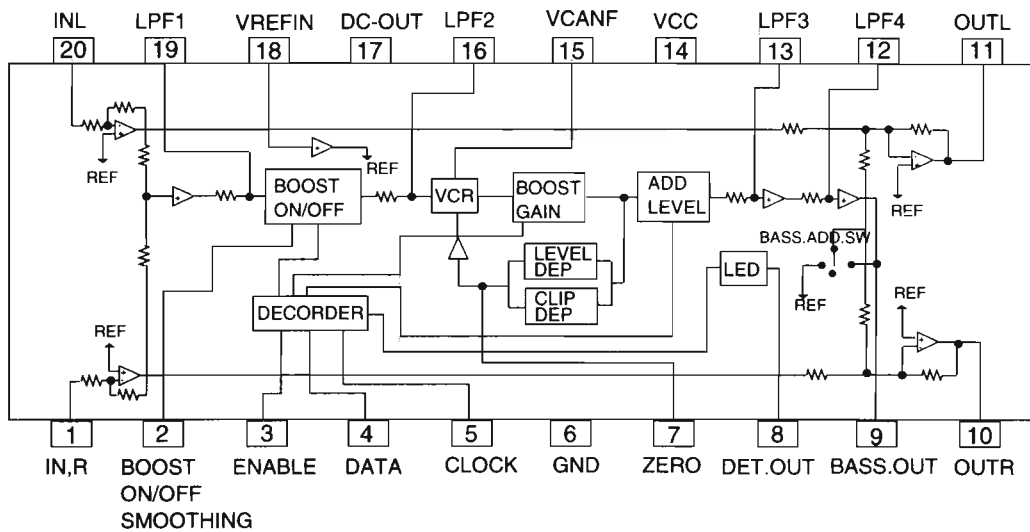


■ BA15218N (IC202) : Dual Ope Amp

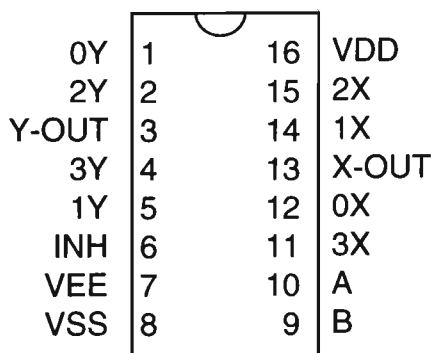


■ LA2650 (IC406) : SA BASS

1. Terminal Layout / Block diagram



■ TC4052BP (IC404) : Multiplexer



INHIBIT	B	A	X-OUT	Y-OUT
L	L	L	0X	0X
L	L	H	1X	1X
L	H	L	2X	2X
L	H	H	3X	3X
L	L	L	-	-
L	L	H	-	-
L	H	L	-	-
L	H	H	-	-
H	*	*	NONE	NONE

Disassembly Procedures

■ Removal of the Metal Cover

1. Remove the six screws A fastening the metal cover to the rear panel of the main unit.
2. Remove the two screws B fastening the metal cover to the side panel of the main unit.
3. Spread both side of the metal cover outward and remove from the back panel by lifting upward.

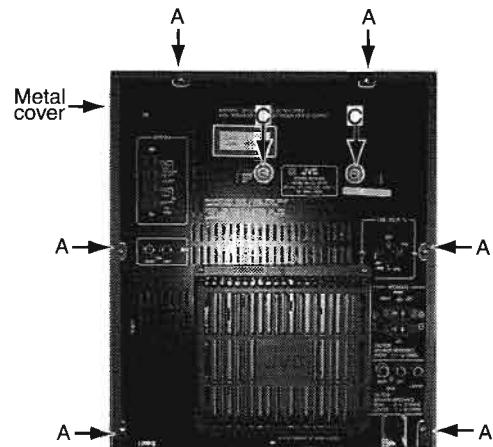


Fig 1

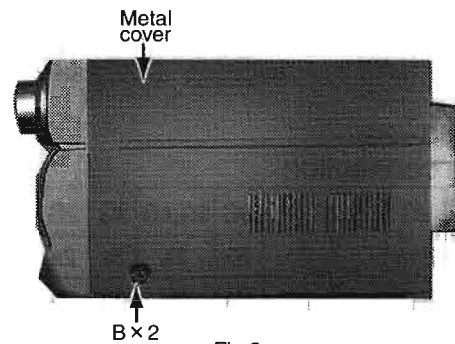


Fig 2

■ Removal of the CD Changer Mechanism Assembly

1. Remove the metal cover
2. Remove the two screws C fastening the CD changer mechanism assembly to the rear panel of the main unit. (See Fig.1)
3. Remove the two screws D fastening the CD changer mechanism assembly to the top panel of the main unit.
4. Disconnect the card wire connected from the CD changer mechanism assembly to connectors CN410 on the main amplifier board on the right side of the main unit.
5. Expand a rear panel outside, back of CD changer mechanism is lifted and detached.

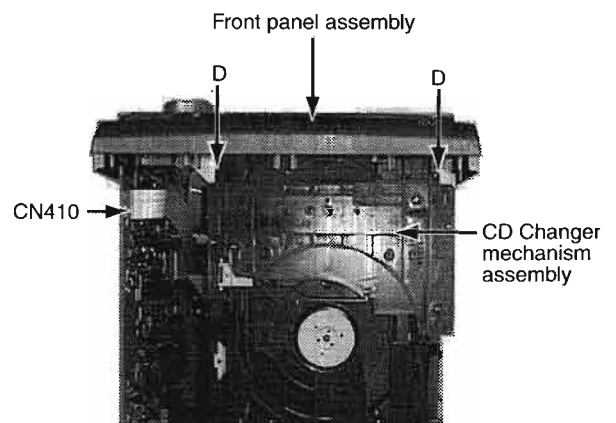


Fig 3

■ Removal of the Front Panel Assembly

1. Remove the metal cover.
2. Remove the CD changer mechanism assembly.
3. Remove the four screws **E** fastening the front panel assembly to the side of the main unit.
4. Use a screwdriver, etc., to disengage clips **(a)** and **(b)** from the side panels of the main unit.
5. Disconnect the wires connected from the front panel assembly to connectors CN411, CN412 and CN413 on the main amplifier board.
6. Disconnect the wires CN915 and CN007 on the power amplifier board.
8. Disconnect connector CN414 on the Main P. C. Board
9. Remove the plastic rivet **(c)** fastening the main P. C. Board and front panel assembly.
10. Remove the front panel assembly.

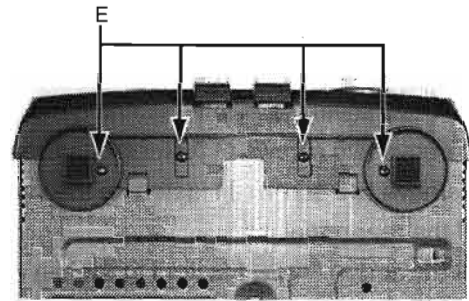


Fig 4

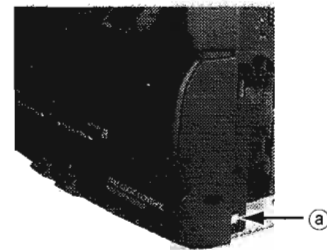


Fig 5

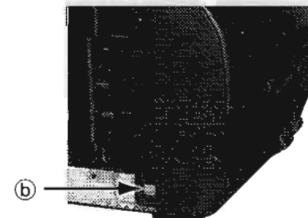


Fig 6

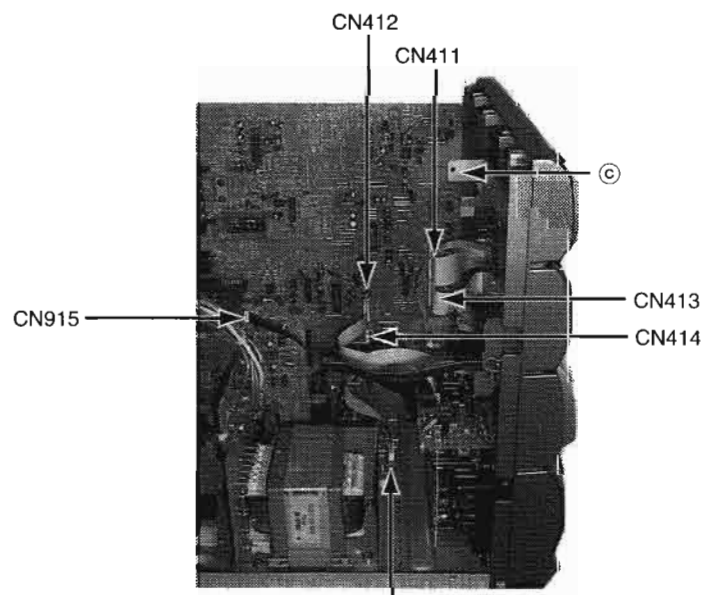
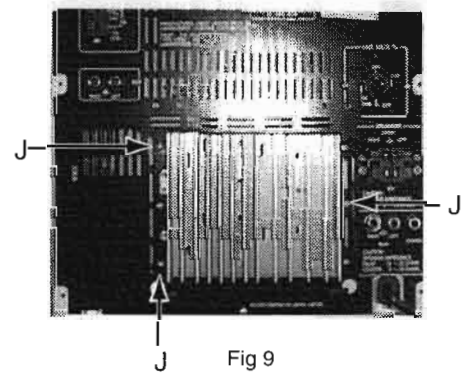
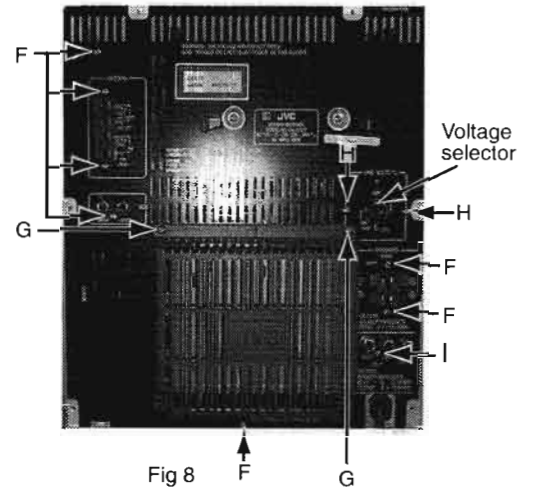


Fig 7

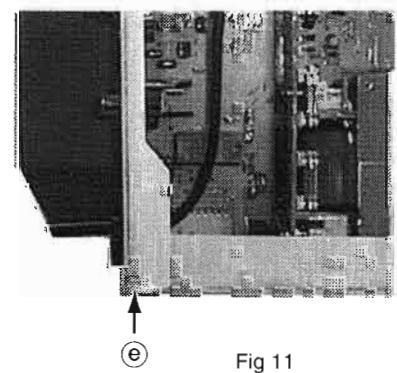
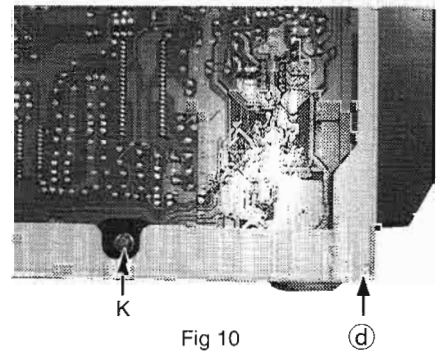
■ Removal of the Rear Panel Assembly

1. Remove the metal cover.
2. Remove the CD changer mechanism assembly.
3. Remove seven screws F fastening the rear panel.
4. Remove two screws G fastening the rear cover.
5. Remove two screws H fastening the voltage selector of the rear panel.
6. Remove one screw I fastening the pin jack of the rear panel.
7. Remove three screws J fastening the heat sink of the rear panel.
8. Use a screwdriver, etc., to disengage the two engagements bottom chassis clips ④ and ⑤ from the bottom part of the side panels of the rear panel assembly.



■ Removal of the Main Amplifier Board

1. Remove the rear panel.
2. Remove one screw K fastening the main amplifier board and bottom chassis to the side panel of the main unit.
3. Disconnect the main amplifier board CN415 and CN006 from the power amplifier board.



■ Remove of the Power Transformer

1. Remove the metal cover.
2. Remove the CD changer mechanism assembly.
3. Remove the rear panel .
4. Remove the four screws L fastening the power transformer.
5. Disconnect the connector CN111 and CN009 on the power amplifier board.

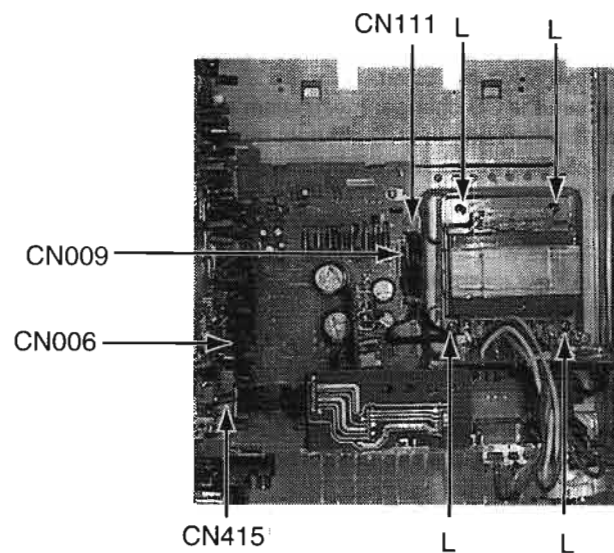


Fig 12

■ Removal of the Front Panel

1. Remove the metal cover.
2. Remove the CD changer mechanism assembly.
3. Remove the front panel assembly.
4. Remove the volume knob and nut on the front panel assembly.
5. Remove the six screws M fastening the stay bracket inside the front panel assembly.
6. Remove the eleven screws N fastening the system CPU board.
7. Disconnect the card wires protruding from connector CN803 on the system CPU board.

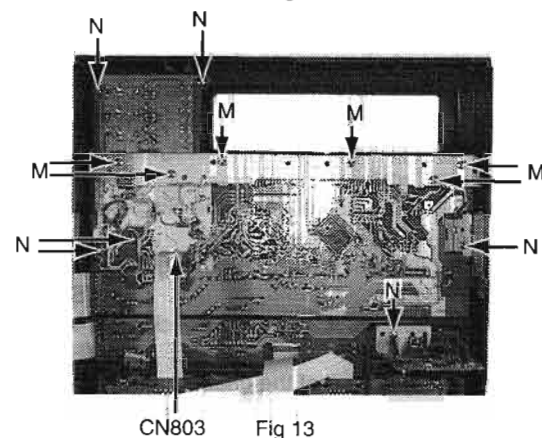


Fig 13

■ Removal the of the Cassette Mechanism Assembly.

1. Remove the metal cover.
2. Remove the CD traverse mechanism assembly.
3. Remove the front panel assembly.
4. Remove the eight screws O fastening the cassette mechanism assembly to the inside of the front panel assembly.
5. Disconnect the card wires from connectors CN305 and CN306 on the head amplifier & mechanism control board.

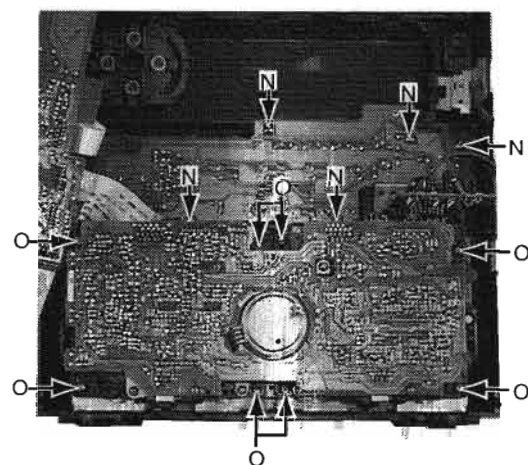


Fig 14

«CD Changer Mechanism Type:VC3 Section»

**■Removing the CD Servo control board
(See Fig.1)**

- 1.Remove the metal cover.
- 2.Remove the CD changer mechanism assembly.
- 3.From bottom side the CD changer mechanism assembly, remove the two screws 1 retaining the CD servo control board.
- 4.Absorb the four soldered positions "M" of the right and left motors with a soldering absorber.
- 5.Pull out the earth wire on the CD changer mechanism assembly.
- 6.The two screws A is removed and C.B.holder is detached.
- 7.Disconnect the connector CN854 on the CD servo control board.
- 8.Disconnect the card wire CN601 and the connector CN801 on the CD servo control board.

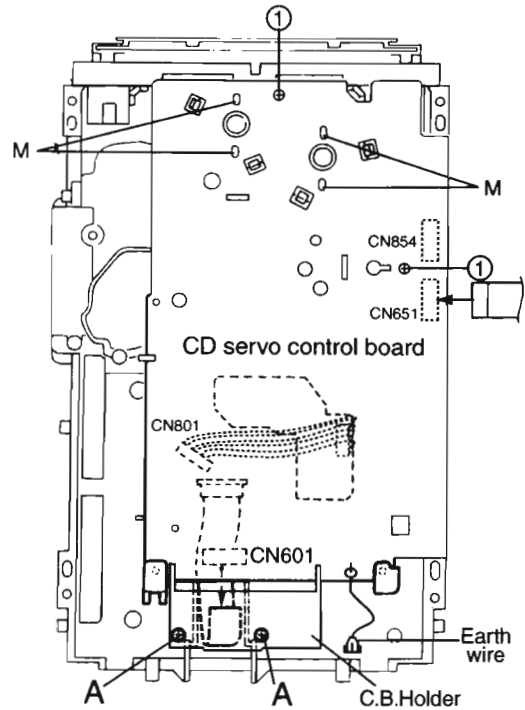


Fig.1

**■Removing the CD tray assembly
(See Fig.2~4)**

1. Remove the front panel assembly.
2. Remove the CD changer mechanism assembly.
3. Remove the CD Servo control board.
4. From the T.bracket section "B" and clamber base section "C", remove both of the edges fixing the rod(See Fig.2 and 3).
5. Remove the screw 2 retaining the Disc stopper (See Fig.3).
6. Remove the three screws 3 retaining the T.bracket (See Fig.3).
7. Remove the screws 4 retaining the clamber assembly (See Fig.3).
8. From the left side face of the chassis assembly, remove the one screw 5 retaining both of the return spring and lock lever(See Fig. 4).
9. By removing the pawl at the section "D" fixing the return spring, dismount the return spring(See Fig.4).
10. Remove the three lock levers(See Fig.4).

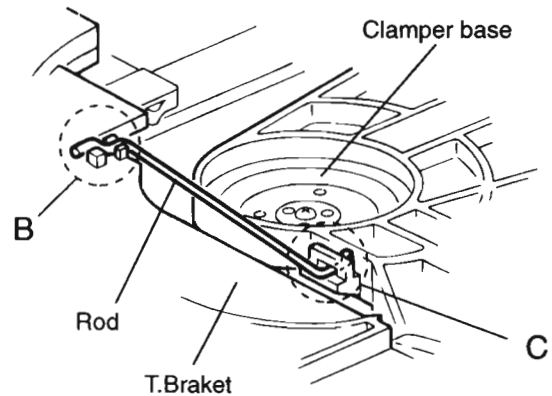


Fig.2

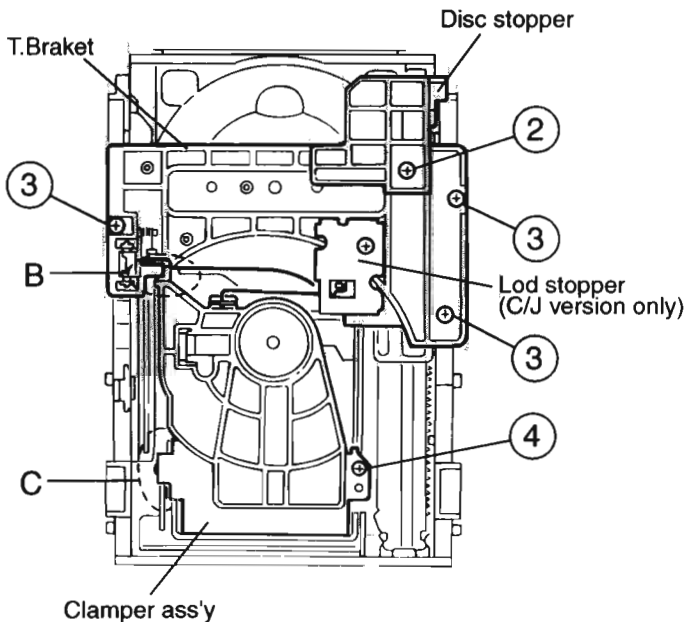


Fig.3

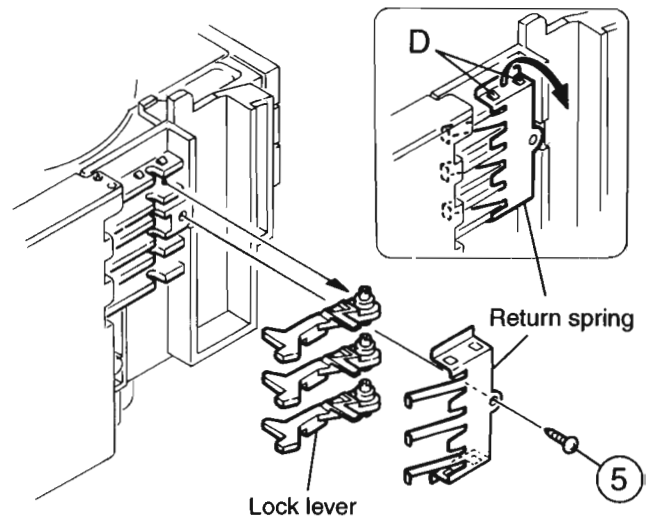


Fig.4

11. Check whether the lifter unit stopper has been caught into the hole at the section "E" of CD tray assembly as shown in Fig.5.
 12. Make sure that the driver unit elevator is positioned as shown in Fig.6 from the second or fifth hole on the left side face of the CD changer mechanism assembly.
- [Caution]** In case the driver unit elevator is not at above position, set the elevator to the position as shown in Fig.7 by manually turning the pulley gear as shown in Fig.8.
13. Manually turn the motor pulley in the clockwise direction until the lifter unit stopper is lowered from the section "E" of CD tray assembly(See Fig.8).
 14. Pull out all of the three stages of CD tray assembly in the arrow direction "F" until these stages stop (See Fig.6).
 15. At the position where the CD tray assembly has stopped, pull out the CD tray assembly while pressing the two pawls "G and G'" on the back side of CD tray assembly(See Fig.9). In this case, it is easy to pull out the assembly when it is pulled out first from the stage CD tray assembly.

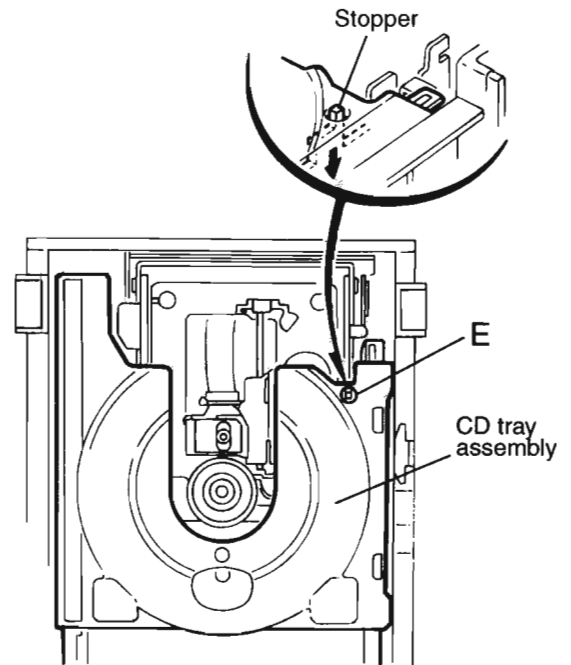


Fig.5

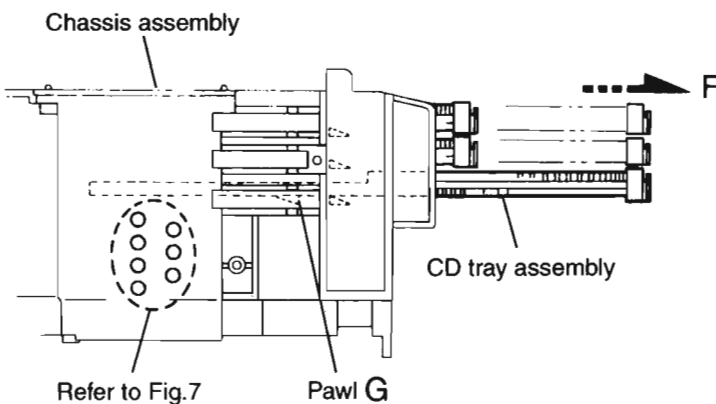


Fig.6

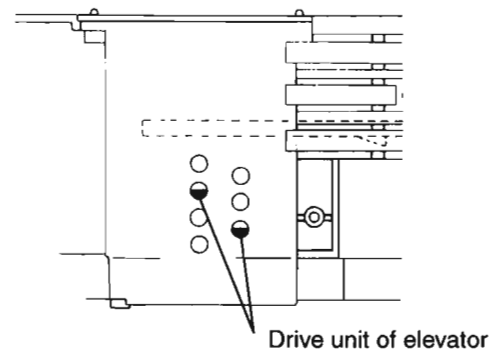


Fig.7

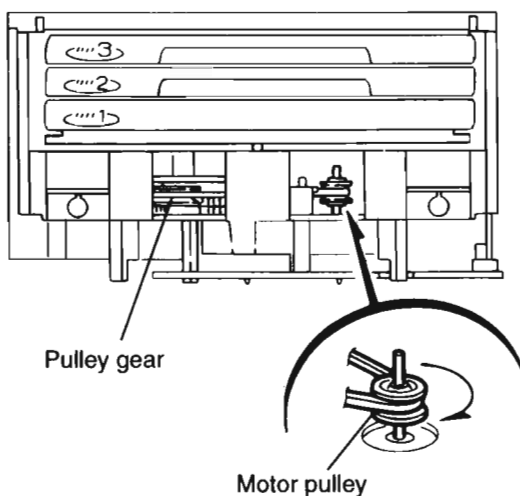


Fig.8

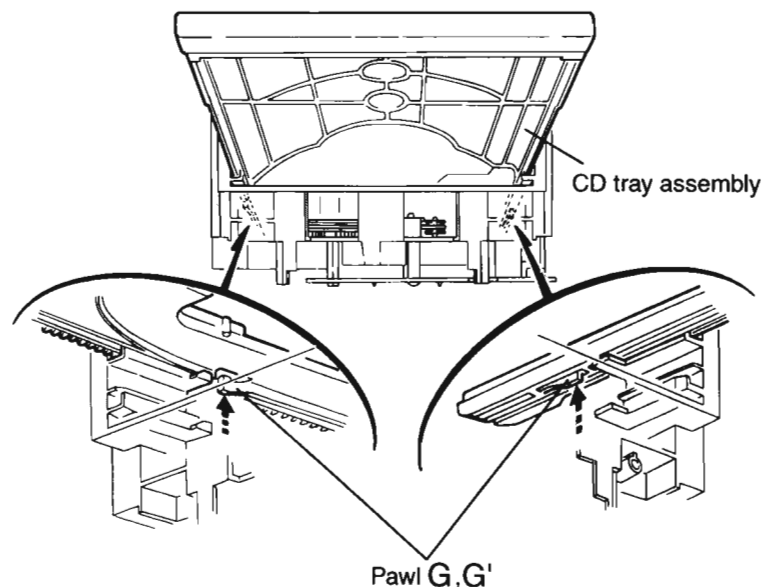


Fig.9

■ Removing the CD loading mechanism assembly(See Fig.10)

1. While turning the cams R1 and R2 assembly in the arrow direction "H" , align the shaft "I" of the CD loading mechanism assembly to the position shown in 2. Fig.10.
2. Remove the four screws 6 retaining the CD loading mechanism assembly.

■ Removing the CD traverse mechanism (See Fig.11 and 12)

1. For dismantling only the CD traverse mechanism without removing the CD loading mechanism assembly, align the shaft "J" of the CD loading mechanism assembly to the position shown Fig.11 while turning the cam R1 and R2 assembly in the arrow direction "K" .
2. By raising the CD loading mechanism assembly in the arrow direction "L" , remove the assembly from the lifter unit

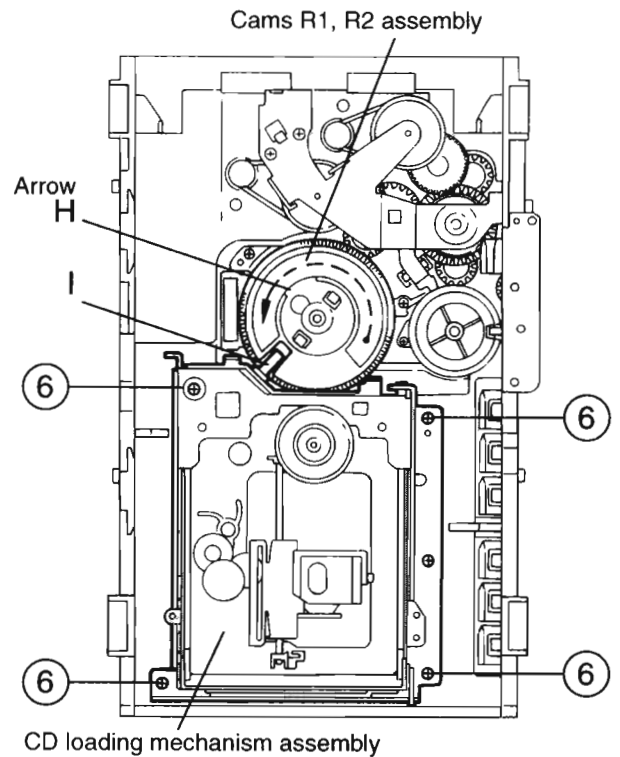


Fig.10

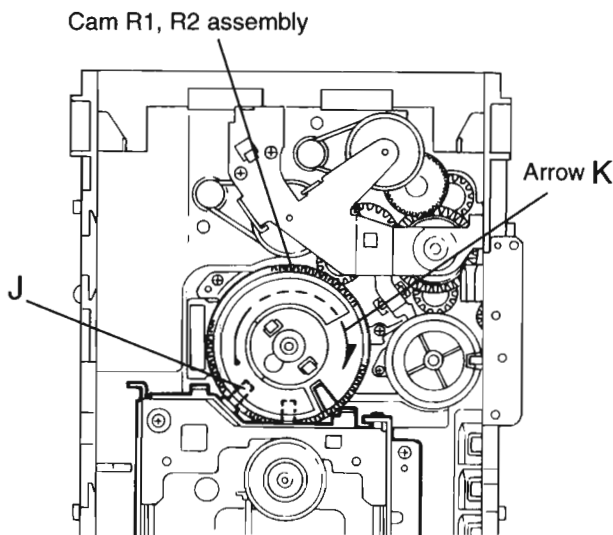


Fig.11

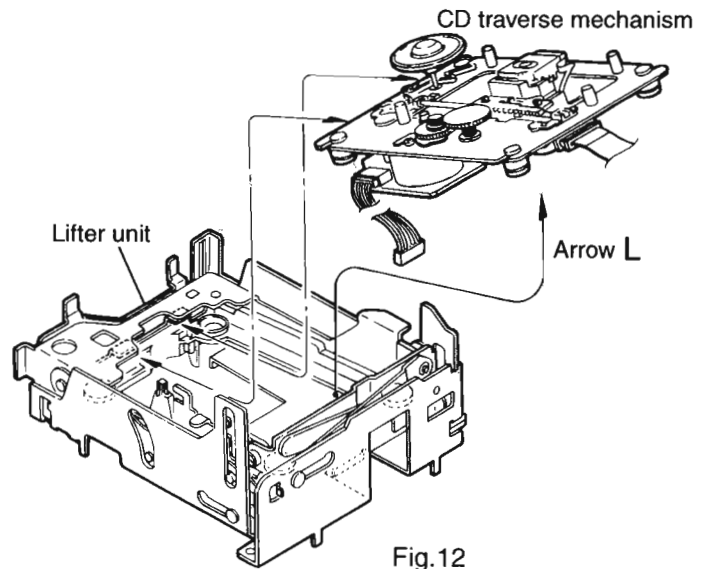


Fig.12

■ Removing the CD pick unit (See Fig.13)

1. Move the cam gear in the arrow direction a . Then, the CD pickup unit will be moved in the arrow direction b .
2. According to the above step, shift the CD pickup unit to the center position.
3. While pressing the stopper retaining the shaft in the arrow direction c , pull out the shaft in the arrow direction d .
4. After dismantling the shaft from the CD pickup unit, remove the CD pickup unit

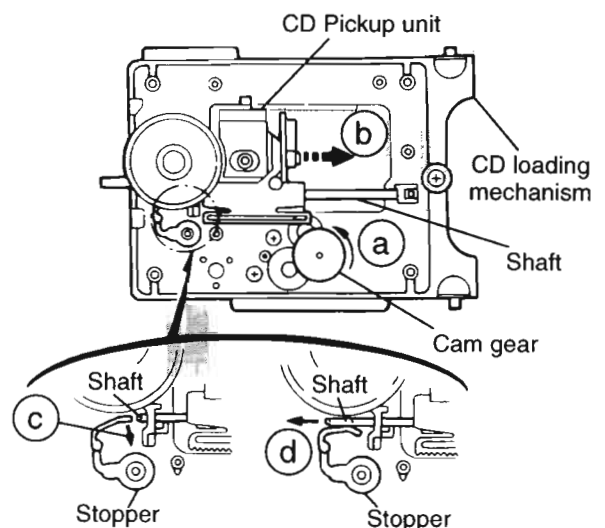


Fig.13

■ Removing the cam unit

(See Fig.14 ~17)

1. Remove the CD loading mechanism assembly.
2. While turning the cam gear L, align the pawl "N" position of the drive unit to the notch position(Fig.16) on the cam gear L.
3. Pull out the drive unit and cylinder gear(See Fig.17).
4. While turning the cam gear L, align the pawl "O" position of the select lever to the notch position(Fig.18) on the cam gear L.
5. Remove the four screws 9 retaining the cam unit(cam gear L and cams R1/R2 assembly)(See Fig.18).

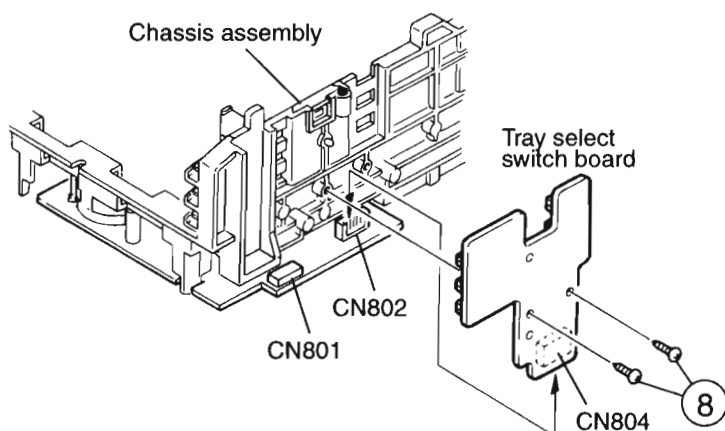


Fig.14

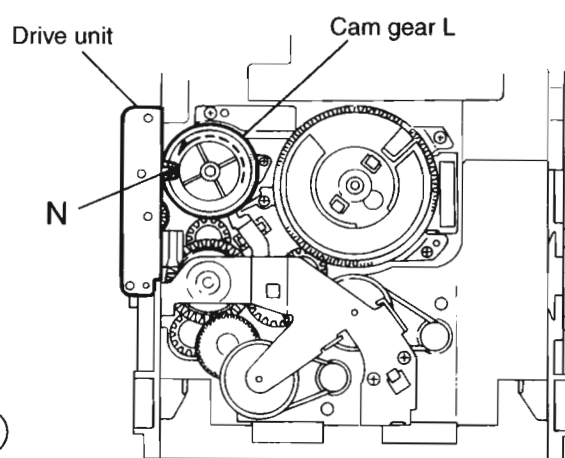


Fig.15

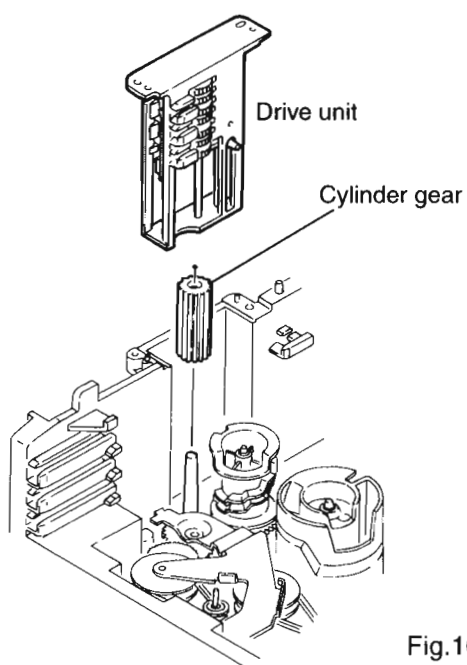


Fig.16

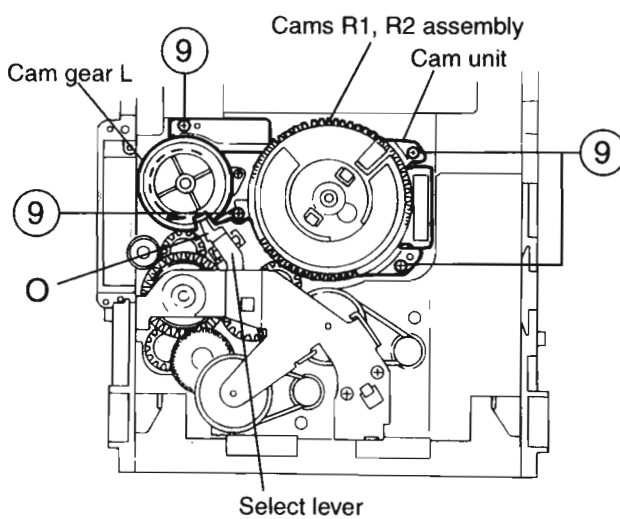


Fig.17

**■ Removing the actuator motor and belt
(See Fig.18~21)**

1. Remove the two screws 10 retaining the gear bracket
(See Fig.19).
2. While pressing the pawl "P" fixing the gear bracket in the arrow direction, remove the gear bracket
(See Fig.19).
3. From the notch "Q section" on the chassis assembly fixing the edge of gear bracket, remove and take out the gear bracket(See Fig. 20).
4. Remove the belts respectively from the right and left actuator motor pulleys and pulley gears(See Fig. 19).
5. After turning over the chassis assembly, remove the actuator motor while spreading the four pawls "R" fixing the right and left actuator motors in the arrow direction(See Fig. 21).

[Note] When the chassis assembly is turned over under the conditions wherein the gear bracket and belt have been removed, then the pulley gear as well as the gear, etc. constituting the gear unit can possibly be separated to pieces. In such a case, assemble these parts by referring to the assembly and configuration diagram in Fig. 22.

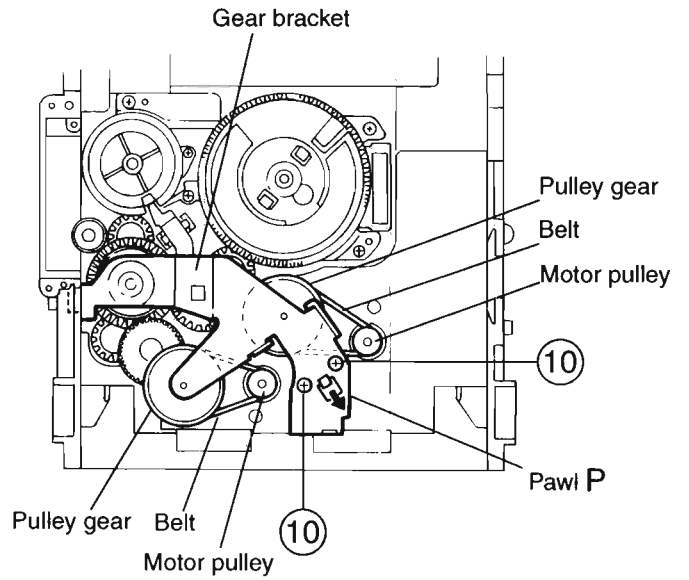


Fig.18

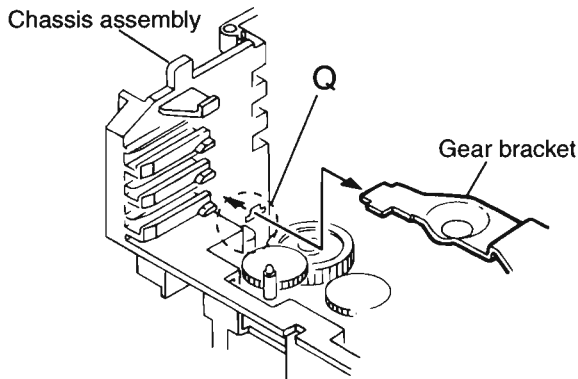


Fig.19

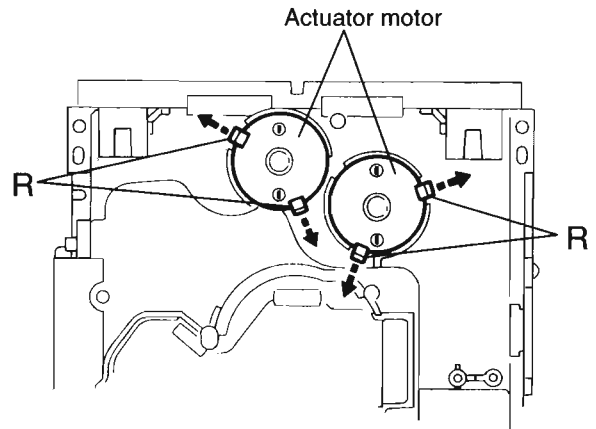


Fig.20

Assembly and Configuration Diagram

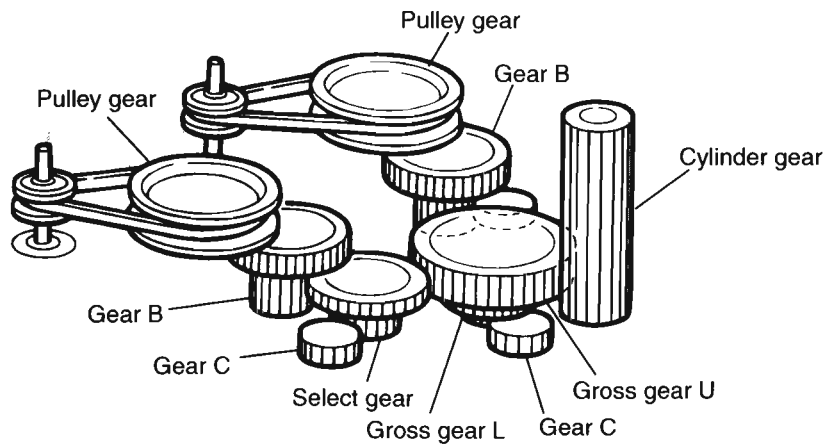


Fig.21

■ Removing the cams R1/R2 assembly and cam gear L (See Fig.22)

1. Remove the slit washer fixing the cams R1 and R2 assembly.
2. By removing the two pawls "S" fixing the cam R1, separate R2 from R1.
3. Remove the slit washer fixing the cam gear L.
4. Pull out the cam gear L from the C.G. base assembly.

■ Removing the C.G. base assembly (See Fig.22 and 23)

Remove the three screws 11 retaining the C.G. base assembly.

[Caution] To reassemble the cylinder gear, etc. with the cam unit (cam gear and cans R1/R2 assembly), gear unit and drive unit, align the position of the pawl "N" on the drive unit to that of the notch on the cam gear L. Then, make sure that the gear unit is engaged by turning the cam gear L (See Fig. 24).

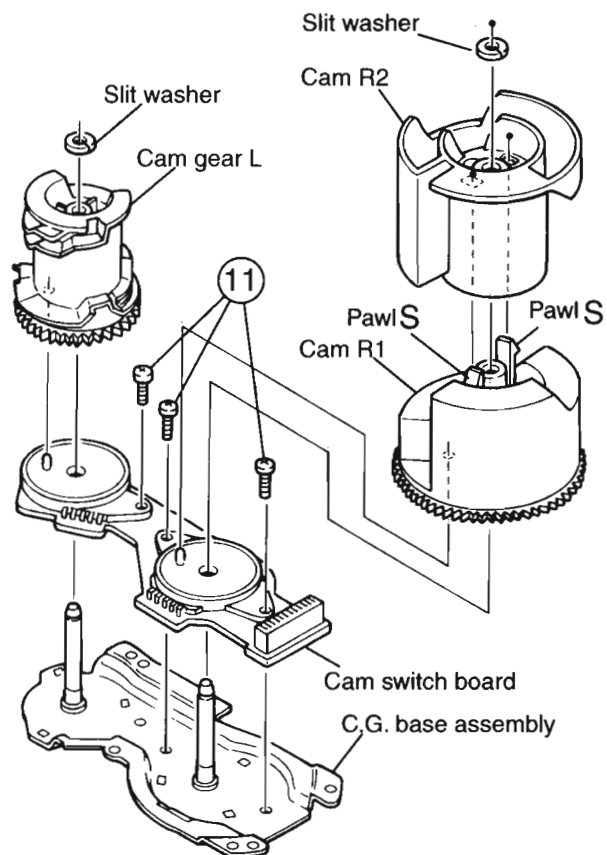


Fig.22

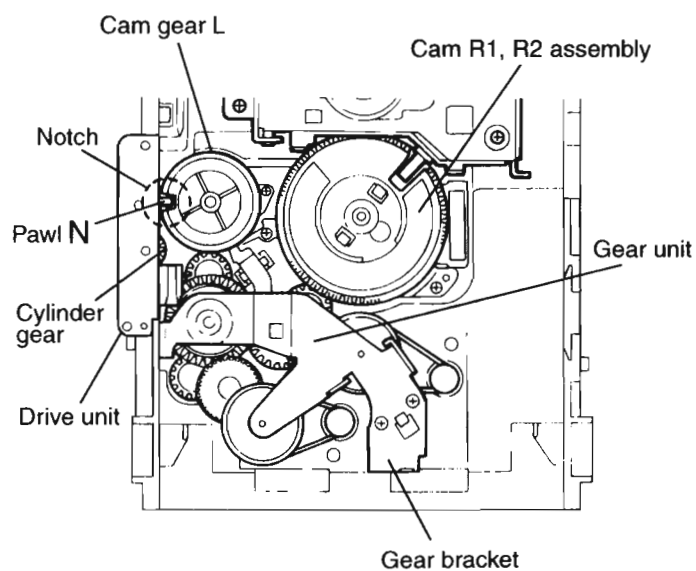


Fig.23

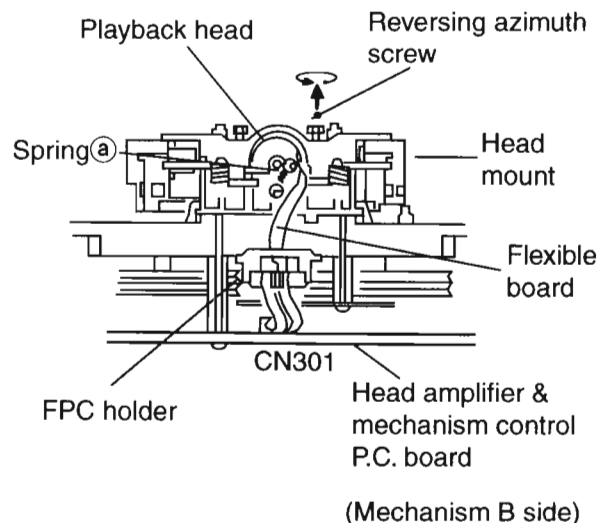
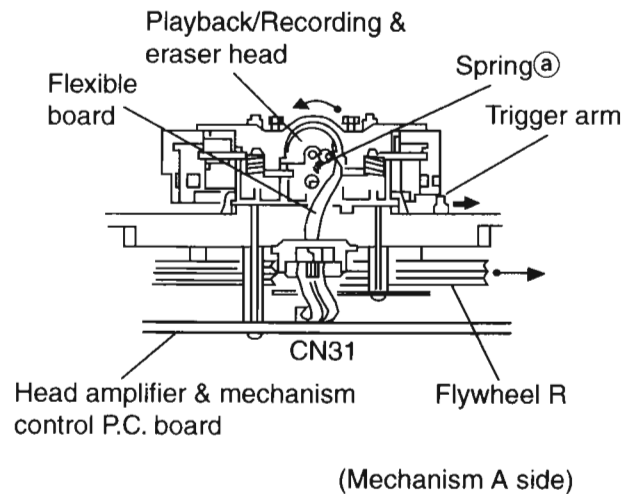
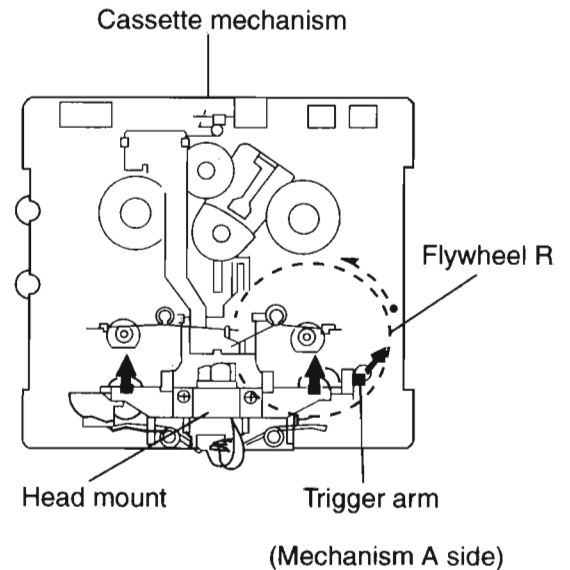
< Cassette Mechanism Section >

■ Removing the Playback, Recording and Eraser Heads

1. While shifting the trigger arms seen on the right side of the head mount in the arrow direction, turn the flywheel R in counterclockwise direction until the head mount has gone out with a click (See Fig 1).
2. When the flywheel R is rotated in counterclockwise direction, the playback head will be turned in counterclockwise direction from the position in Fig 2 to that in Fig 3.
3. At this position, disconnect the flexible P.C.board (outgoing from the playback head) from the connector CN301 on the head amp. and mechanism control P.C. board.
4. After dismantling the FPC holder, remove the flexible P.C.board.
5. Remove the flexible P.C.board from the chassis base.
6. Remove the spring ① from behind the playback head.
7. Loosen the reversing azimuth screw retaining the playback head.
8. Take out the playback head from the front of the head mount.
9. The recording and eraser heads should also be removed similarly according to Steps 1~8 above.

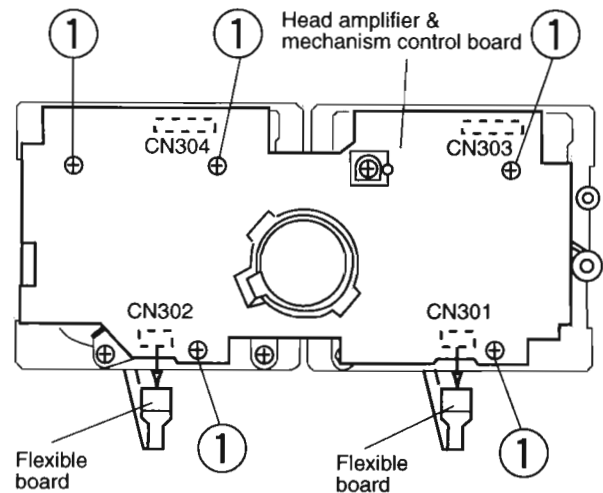
● Reassembling the Playback, Recording and Eraser Heads

1. Reassemble the playback head from the front of the head mount to the position as shown in Fig 3.
2. Fix the reversing azimuth screw.
3. Set the spring a from behind the playback head.
4. Attach the flexible P.C.board to the chassis base, and fix it with the FPC holder as shown in Fig 3.
5. The recording and eraser heads should also be reassembled similarly according to Steps 1~4 above.



■ Removing the head Amp. and Mechanism Control P.C. Board (See Fig 4)

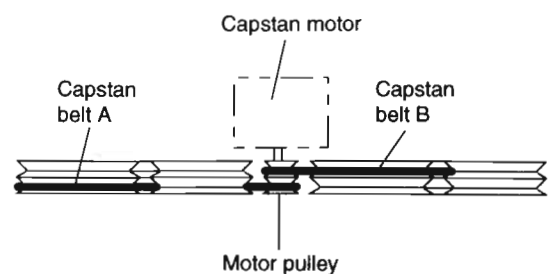
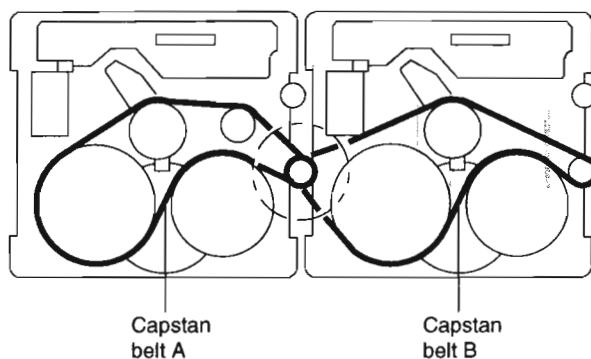
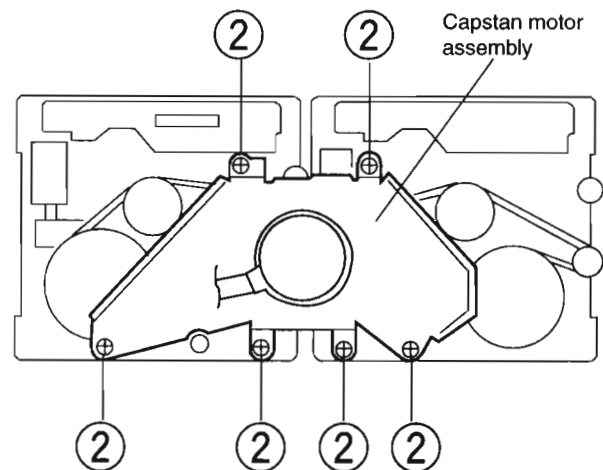
1. Remove the cassette mechanism assembly.
2. After turning over the cassette mechanism assembly, remove the five screws ① retaining the head amp. and mechanism control P.C. board
3. Disconnect the connectors CN303 and CN304 on the P.C. Board and the connectors CN1 on both the right and left side reel pulse P.C. Boards.
4. When necessary, remove the 4pin parallel wire soldered to the main motor



■ Removing the Capstan Motor Assembly

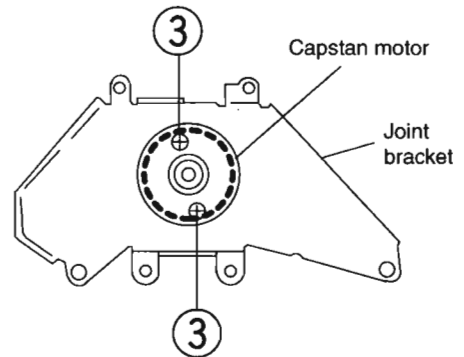
1. Remove the six screws ② retaining capstan motor assembly (See Fig 5).
2. While raising the capstan motor, remove the capstan belts A and B respectively from the motor pulley (See Fig 6).

Caution 1: Be sure to handle the capstan belts so carefully that these belts will not be stained by grease and other foreign matter. Moreover, these belts should be handled while referring to the capstan belt hanging method.



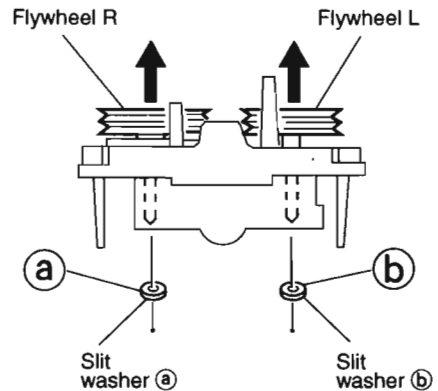
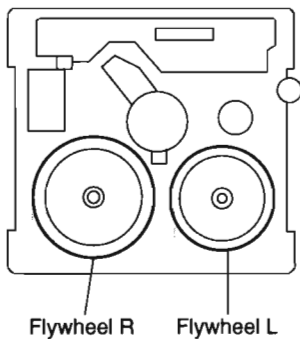
■ **Removing the Capstan Motor (See Fig 8)**

From the joint bracket, remove the two screws ③ retaining the capstan motor.



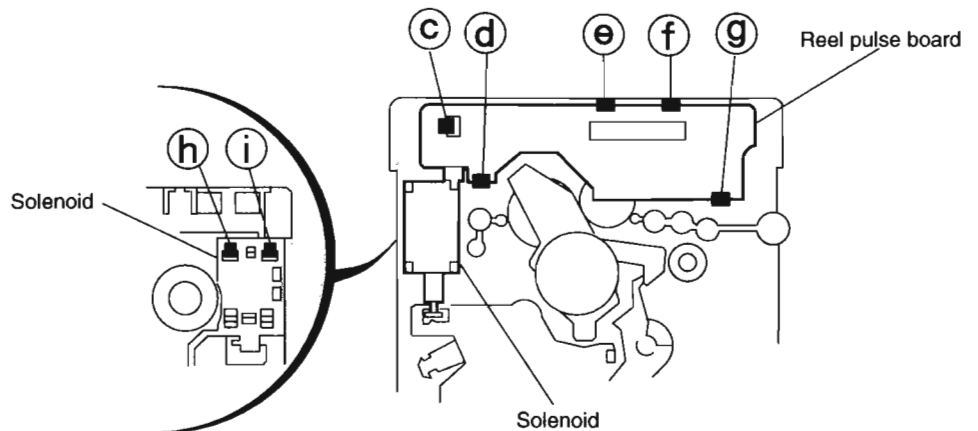
■ **Removing the Flywheel (See Fig 9.10)**

1. Remove the head amp. and mechanism control P.C.Board.
2. Remove the capstan motor assembly.
3. After turning over the cassette mechanism, remove the slit washers ① and ② fixing the capstan shafts R and L, and pull out the flywheels R and L respectively from behind the cassette mechanism.

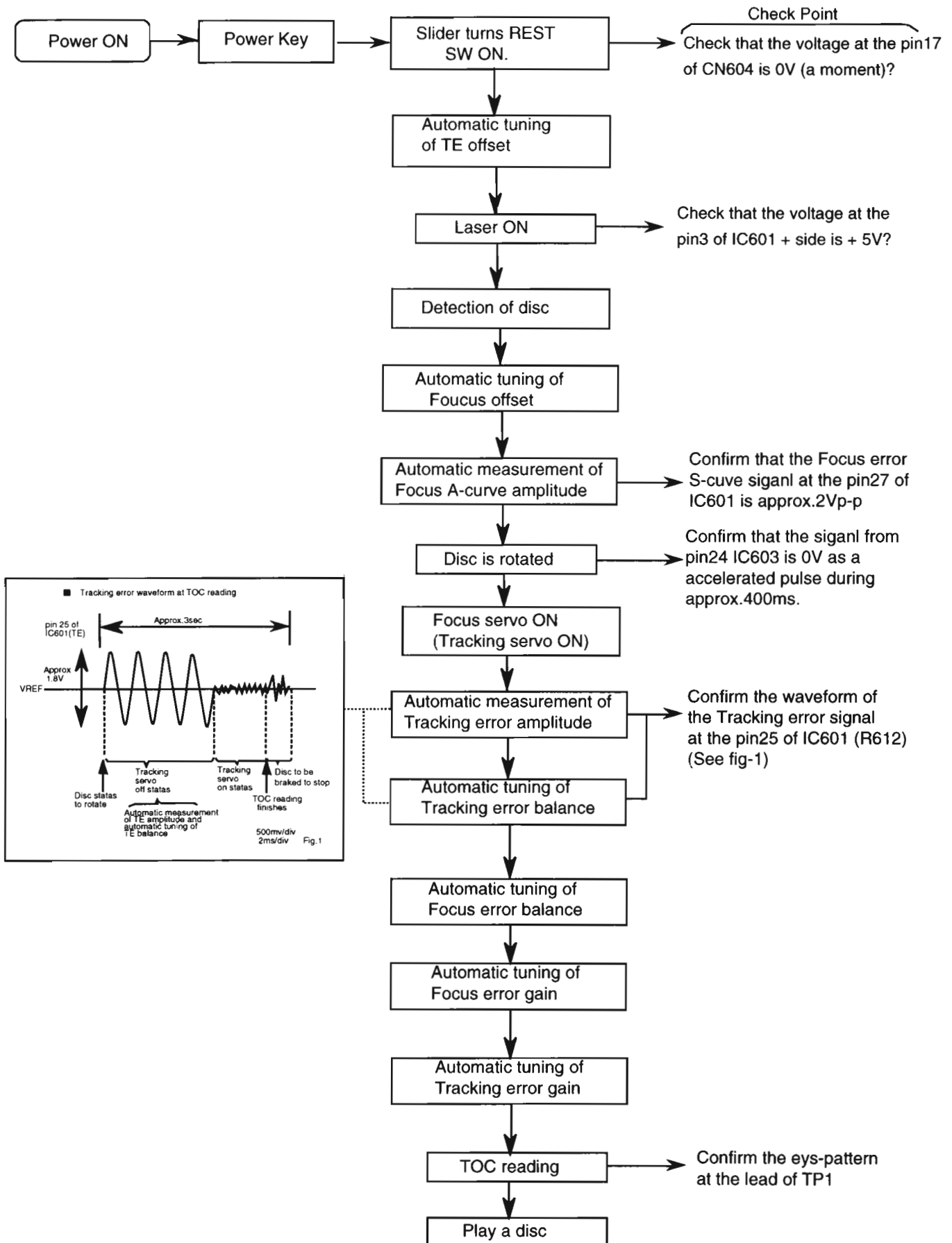


■ **Removing the Reel Pulse P.C.Board and Solenoid (See Fig 11)**

1. Remove the five pawls (③ ④ ⑤ ⑥ ⑦) retaining the reel pulse P.C.Board.
2. From the surface of the reel pulse P.C.Board parts, remove the two pawls ⑧ and ⑨ retaining the solenoid.



Flow of Functional Operation Until TOC Read

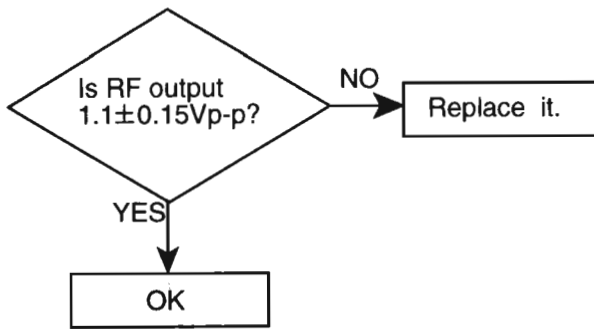


Maintenance of Laser Pickup

(1) Cleaning the pick up lens
 Before you replace the pick up, please try to clean the lens with a alcohol soaked cotton swab.

(2) Life of the laser diode (Fig.1)
 When the life of the laser diode has expired, the following symptoms will appear.

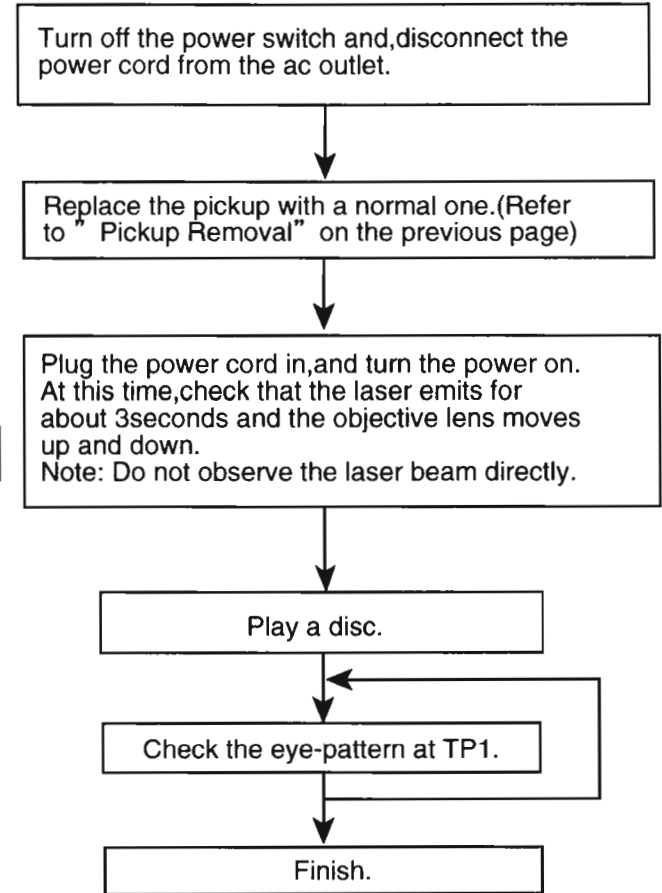
(1) The level of RF output (EFM output: amplitude of eye pattern) will below.



(Fig.1)

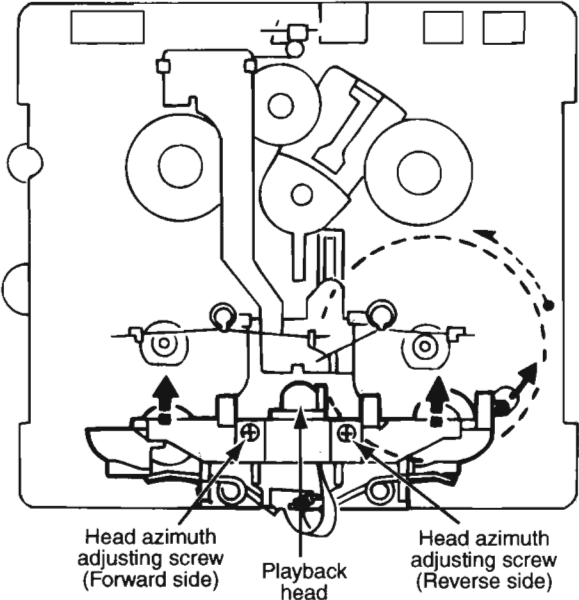
(3) Semi-fixed resistor on the APC PC board
 The semi-fixed resistor on the APC printed circuit board which is attached to the pickup is used to adjust the laser power. Since this adjustment should be performed to match the characteristics of the whole optical block, do not touch the semi-fixed resistor.
 If the laser power is lower than the specified value, the laser diode is almost worn out, and the laser pickup should be replaced.
 If the semi-fixed resistor is adjusted while the pickup is functioning normally, the laser pickup may be damaged due to excessive current.

Replacement of Laser Pickup

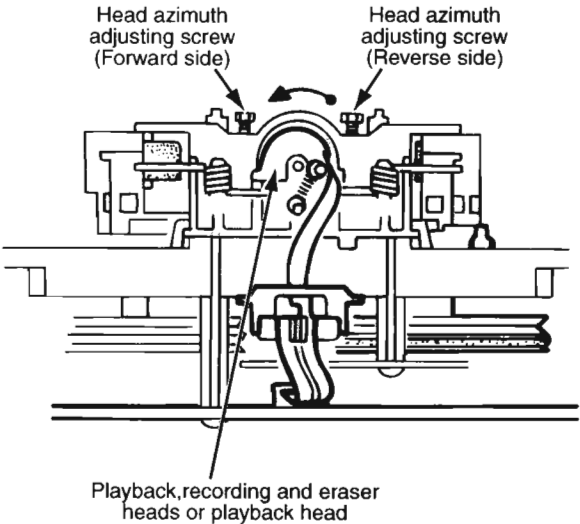


■ Arrangement of Adjusting Positions

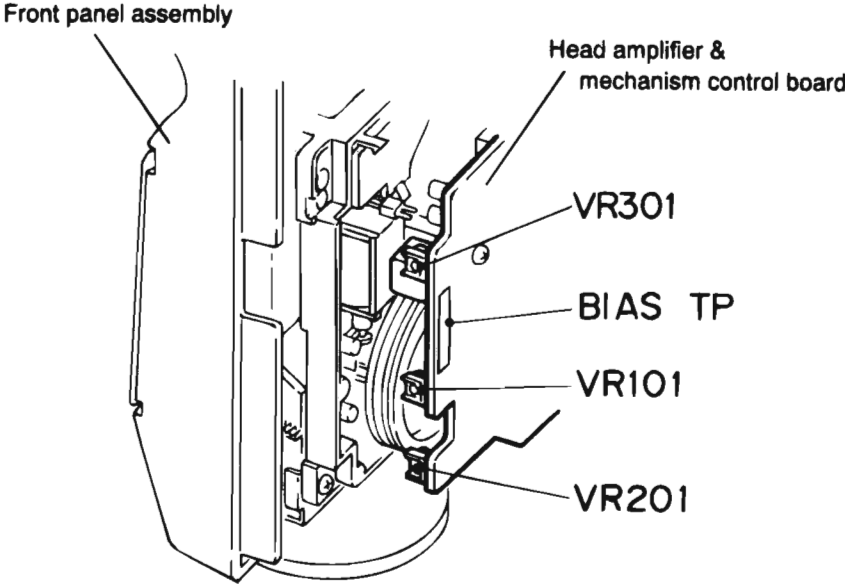
Cassette mechanism section (Mechanism A section)



Cassette mechanism section (Back side)



Cassette Mechanism Unit Section



■ Tape Recorder Section

Items	Measurement conditions	Measurement method	Standard values	Adjusting positions
Confirmation of head angle	Test tape :TMT7036(10kHz) Measurement output terminal :Speaker terminal Speaker R (Load resistor:3Ω) :Headphone terminal	1.Playback the test tape TMT7036(10kHz). 2.With the playback mechanism or recording & playback mechanism, adjust the head azimuth screw so that the forward and reverse output levels become maximum.After adjustment,lock the head azimuth at least by half a turn. 3.In either case,this adjustment should be performed in both the forward and reverse directions with the head azimuth screw.	Maximum output	Adjust the head azimuth screw only when the head has been changed.
Confirmation of tape speed	Test tape :VTT712(3kHz) or TMT7036(3kHz) Measurement output terminal :Headphone terminal	<Constant speed> Adjust VR301 so that the frequency counter reading becomes 3,010Hz±15Hz when playing back the test tape VTT712(3kHz)with the playback mechanism or playback and recording mechanism after ending forward winding of the tape.	Tape speed of decks (A and B) :3,010Hz ±15Hz	VR301

■ Reference Values for Confirmation items

Items	Measurement conditions	Measurement method	Standard values	Adjusting positions
Double tape speed	Test tape :TMT7036(10kHz) Measurement output terminal :Speaker terminal Speaker R (Load resistance:3Ω) measurement output terminal :Headphone terminal	After setting to the double speed motor, confirm that the frequency counter reading becomes 4,800+400/-300Hz when the test tape VTT712 (3kHz) has been play back with the playback mechanism.	4,800+400/-300Hz	Playback mechanism side
Difference between the forward and reverse speed. P.mecha and R/P mecha speed		When the test tape VTT712(3kHz) has been played back with the playback mechanism or recording and playback mechanism at the beginning of forward winding, the frequency counter reading of the difference between both of the mechanisms should be 6.0Hz or less.	60Hz or less	Both the playback and recording & playback mechanism
Wow & flutter	Test tape :TMT7036(10kHz) Measurement output terminal :Headphone terminal	When the test tape VTT712(3kHz) has been played back with the playback mechanism or recording and playback mechanism at the beginning of forward winding the frequency counter reading of wow & flutter should be 0.25% or less(WRMS).	0.25% or less (WRMS)	Both the playback and recording & playback mechanism

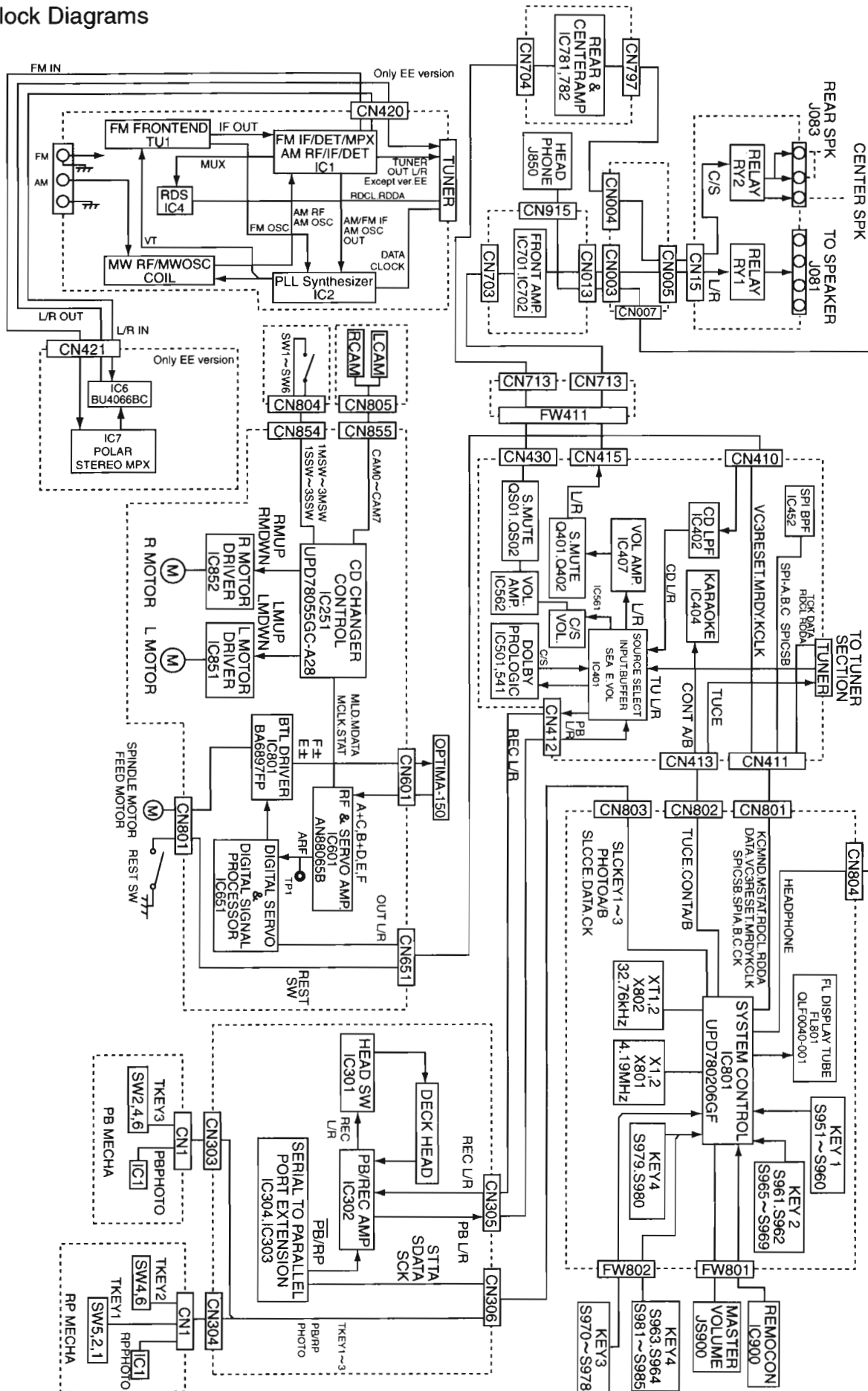
■ Electrical Performance

Items	Measurement conditions	Measurement method	Standard values	Adjusting positions
Adjustment of recording bias current (Reference value)	*Mode : Forward or reverse mode *Recording mode *Test tape :AC-514 and AC-225 Measurement output terminal :Both recording and headphone terminals	1. With the recording and playback mechanism, load the test tapes(AC-514 to TYP II and AC-225 to TYP I),and set the mechanism to the recording and pausing conditions in advance. 2. After connecting 100Ω in series to the recorder head,measure the bias current with a valve voltmeter at both of the terminals. 3. After resetting the [PAUSE] mode,start recording. At this time,adjust VR101 for LcH and VR201 for RcH so that the recording bias current values become 4.0μA (TYP I) and 4.20μA(TYP II).	AC-225 :4.20μA AC-514 :4.0μA	LcH :VR101 RcH :VR201
Adjustment of recording and playback frequency characteristics	Reference frequency :1kHz and 10kHz (REF:-20dB) Test tape :TYP II AC-514 Measurement input terminal :OSC IN	1. With the recording and playback mechanism,load the test tape(AC-514 to TYP II),and set the mechanism to the recording and pausing condition in advance. 2. While repetitively inputting the reference frequency signal of 1kHz and 10kHz from OSC IN, record and playback the test tape. 3. While recording and playing back the test tape in TYP II ,adjust VR101 for LcH and VR201 for RcH so that the output deviation between 1kHz and 10kHz becomes -1dB±2dB.	Output deviation between 1kHz and 10kHz : -1dB±2dB	LcH :VR101 RcH :VR201

■ Reference Values for Electrical Function Confirmation Items

Items	Measurement conditions	Measurement method	Standard values	Adjusting positions
Recording bias frequency	*Recording and playback side forward or reverse *Test tape :TYP II AC-514 *Measurement terminal BIAS TP on P.C.board	1. While changing over to and from BIAS 1 and 2, confirm that the frequency is changed. 2. With the recording and playback mechanism. load the test tape (AC-514 to TYP II),and set the mechanism to the recording and pausing conditions in advance. 3. Confirm that the BIAS TP frequency on the P.C.board is 100kHz±6kHz.	100kHz ±6kHz	
Eraser current (Reference value)	*Recording and playback side forward or reverse *Recording mode *Test tape :AC-514 and AC-225 Measurement terminal Both of the eraser head	1. With the recording and playback mechanism, load the test tapes(AC-514 to TYP II and AC-225 to TYP I),and set the mechanism to the recording and pausing condition in advance. 2. After setting to the recording conditions,connect 1MΩ in series to the eraser head on the recording and playback mechanism side,and measure the eraser current from both of the eraser terminal.	TYP II :120mA TYP I :75mA	

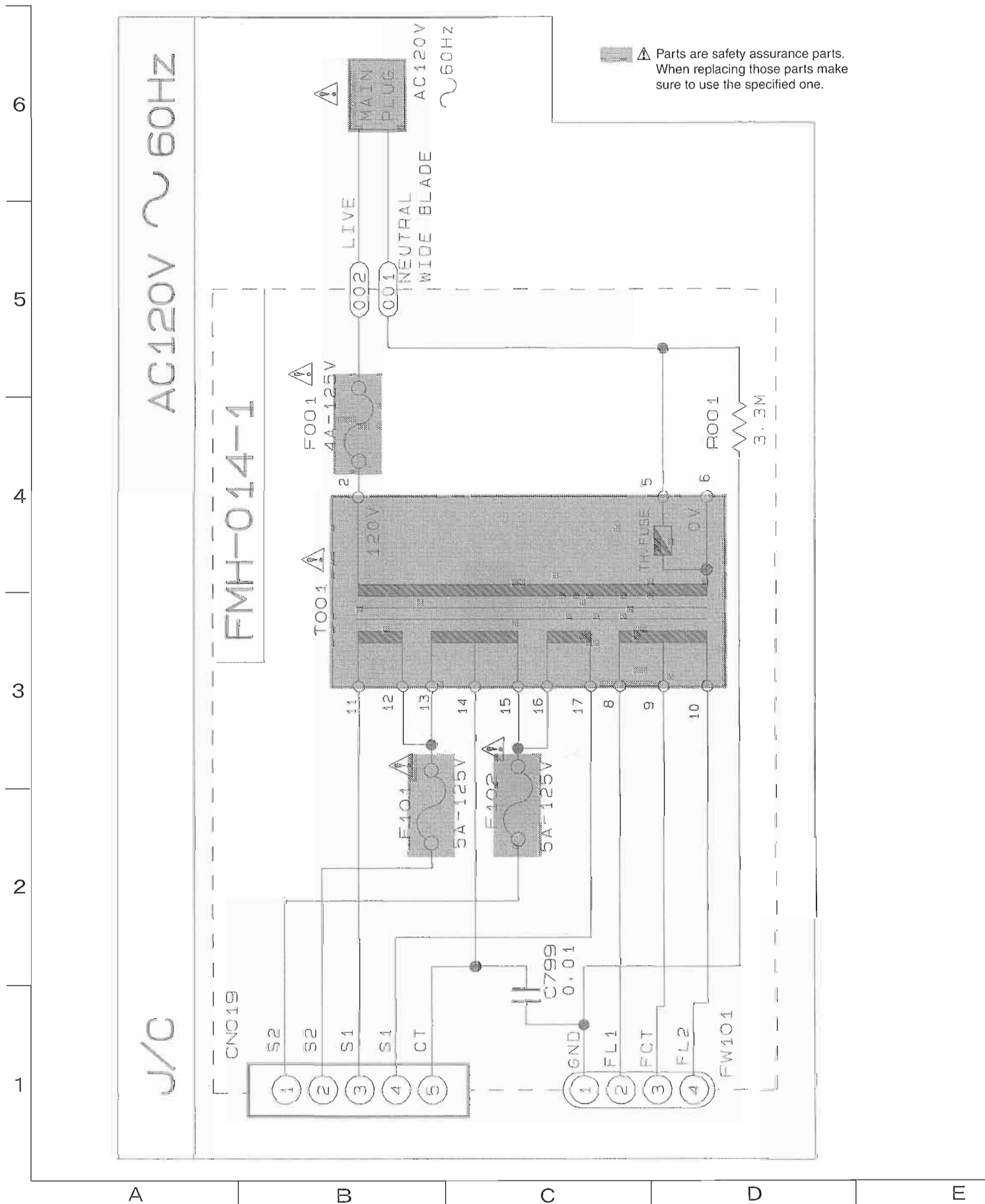
■ Block Diagrams

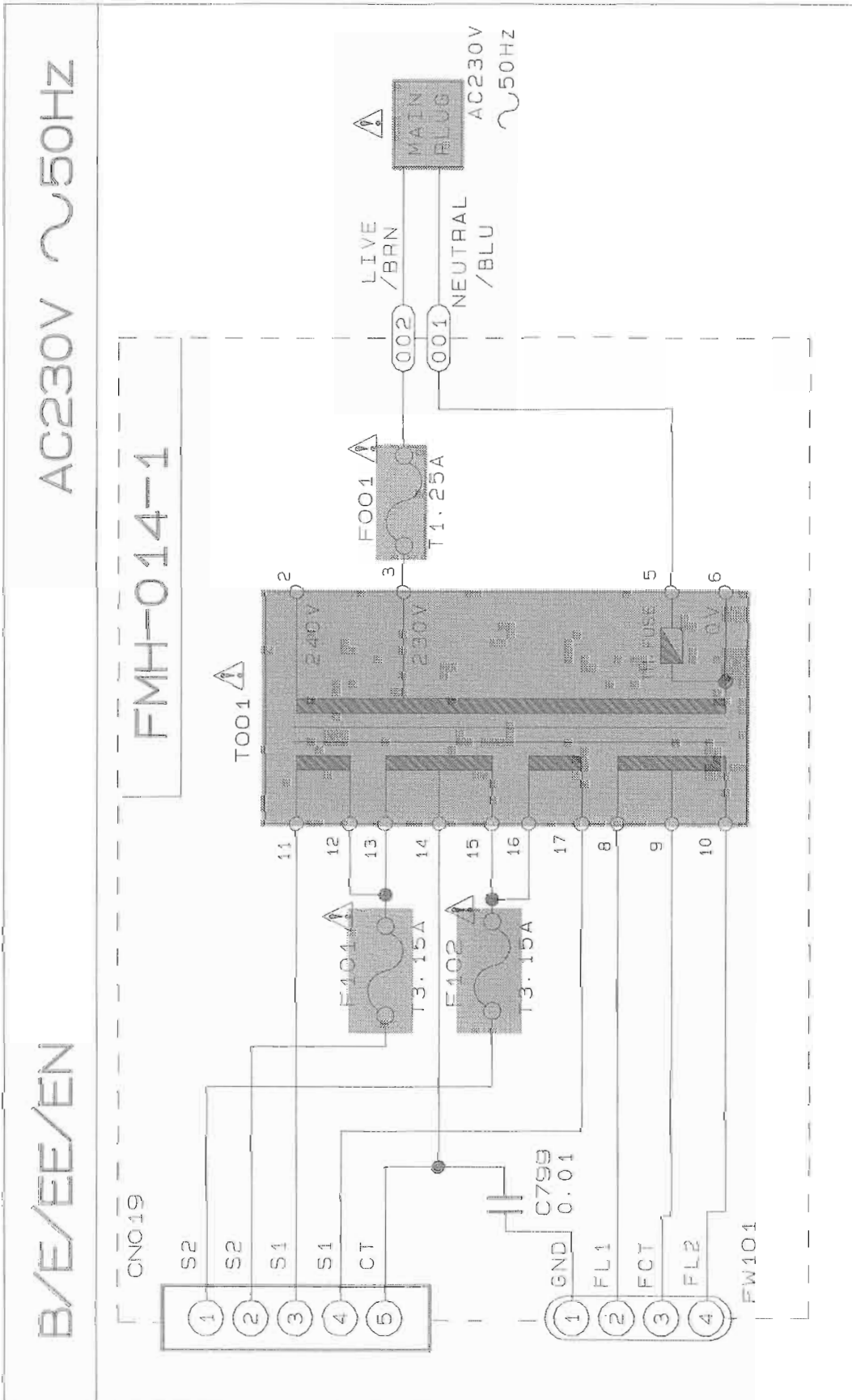


CA-D702T/D752TR

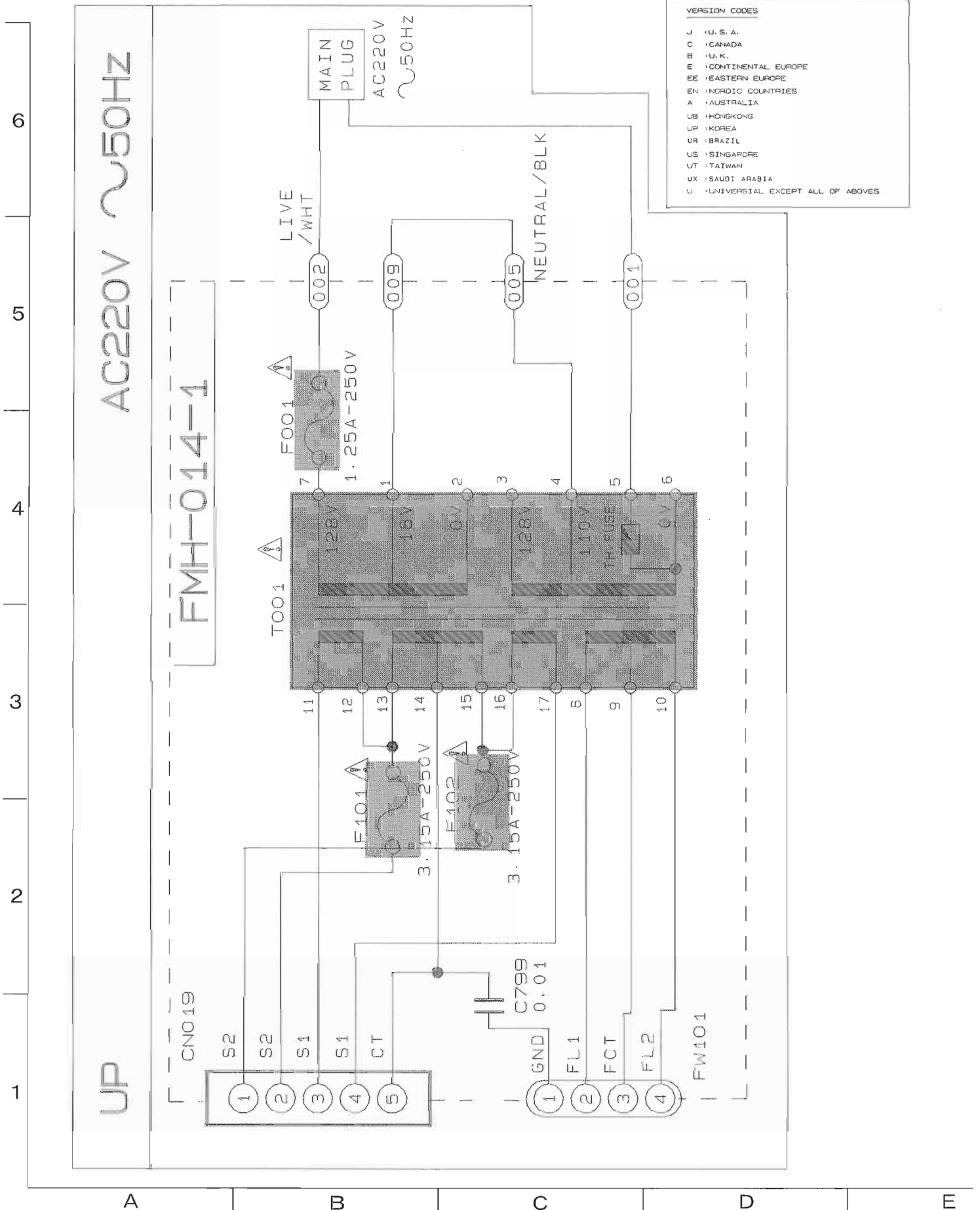
MEMO

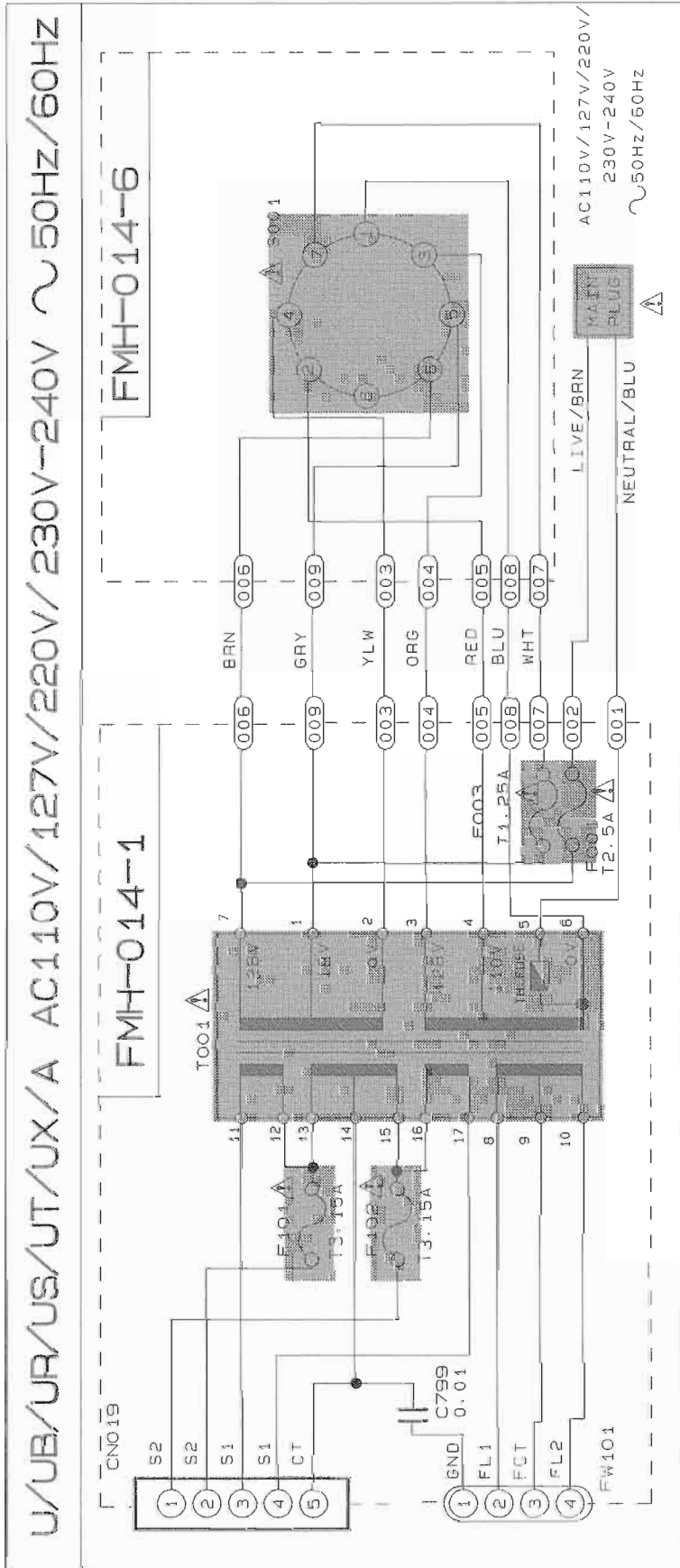
■ Power Primary Section for J/C and B/E/EE/EN



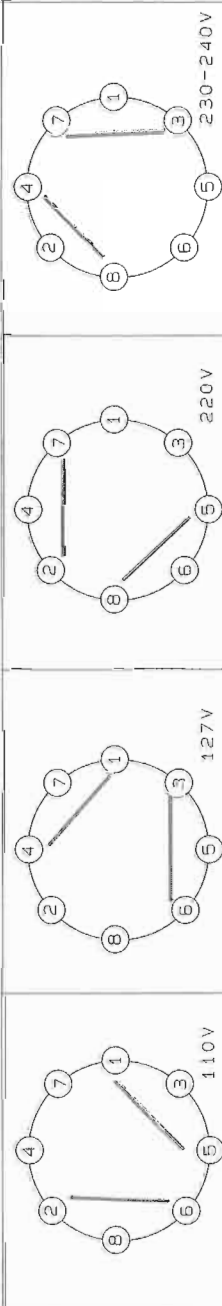


■ Power Primary Section for U/UB/UA/US/UT/UX/A and UP





VOLTAGE SELECTOR LOCATION



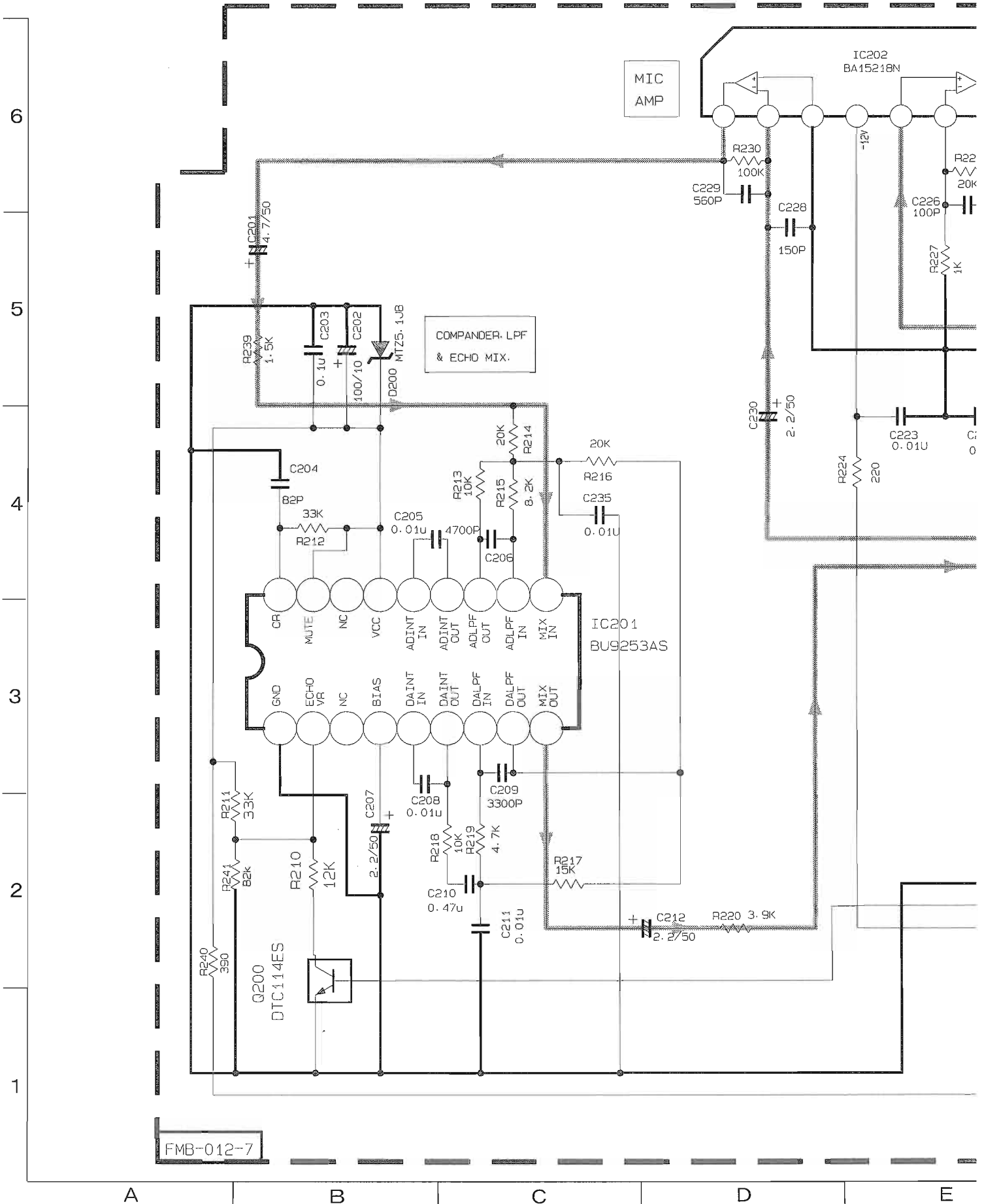
⚠ Parts are safety assurance parts. When replacing those parts make sure to use the specified one.

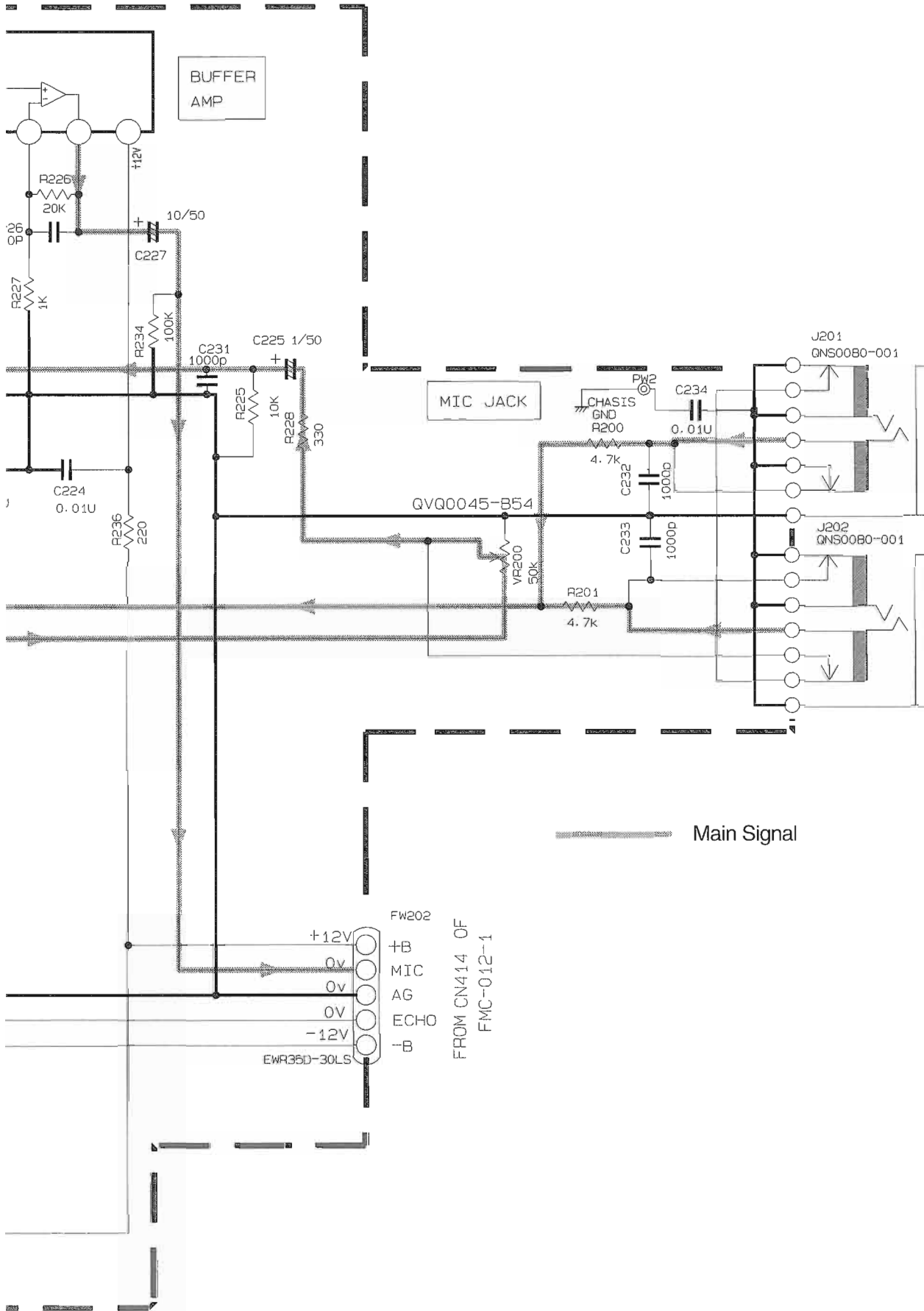
NOTES: MARK (*) IS TO SHOW DEVIATION IN VERSIONS. DETAILS ARE EXPLAINED NEAR THE MARK.

EXPLANATION OF OVERALL OF SCHEMA.

MODEL MX-D602T/GA-D702T/GA-D752TR

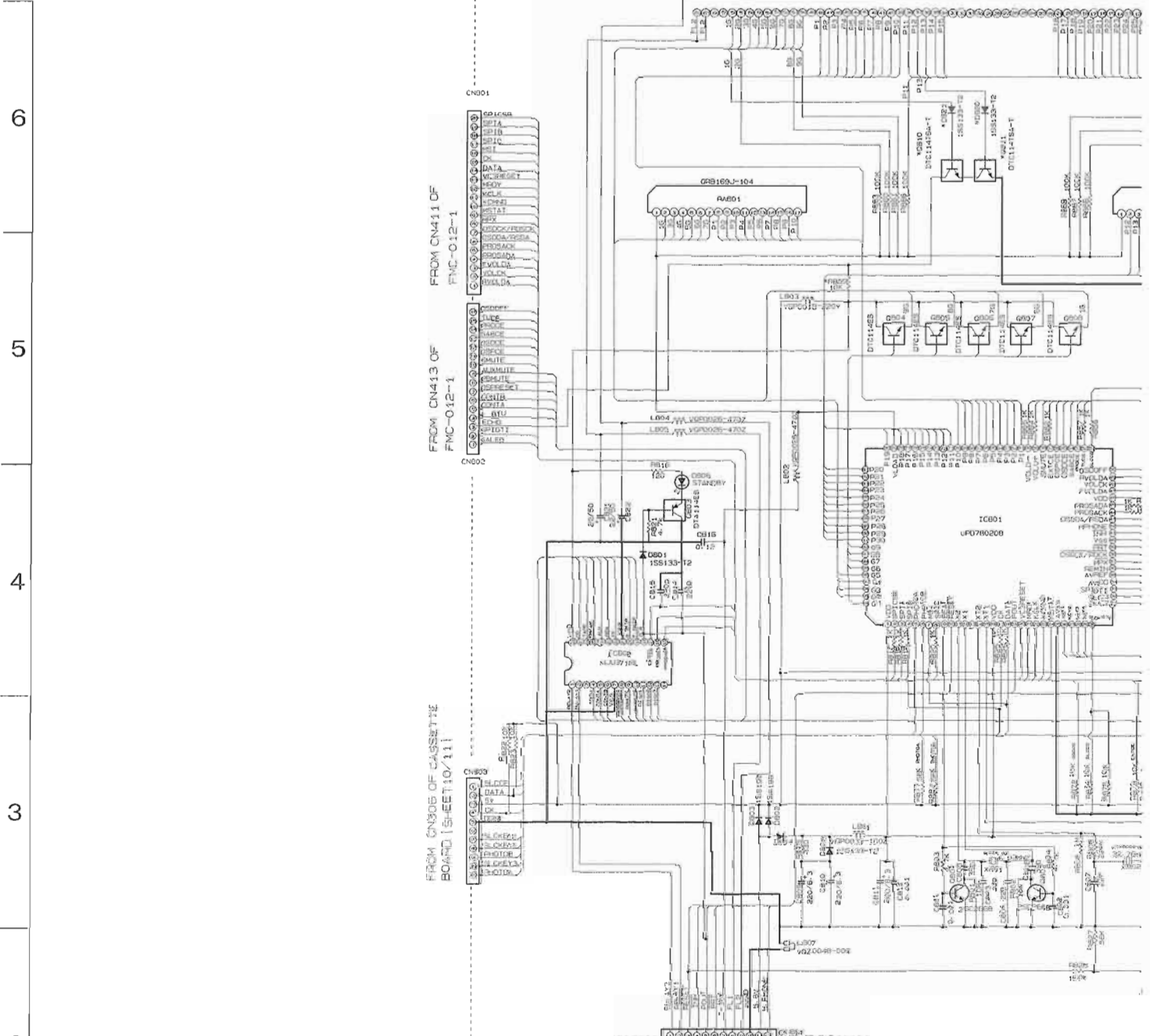
■ Mic Amp. Section for only CA-D702TU / A





E F G H I

■ FL / System Control Section



*MARK

FROM CN007 OF FM1-C13-2

MODEL	VERSION	R992	R993	R999	R991	S982	S983	S984	S985	S963	O810/C811	D820/D821	R829
MX-D402T	J/C	18K	38K	220K	33K	NONE	NONE	NONE	NONE	NONE	NONE	NONE	NONE
	U	18K	58K	220K	33K	NONE	NONE	NONE	NONE	NONE	USED	USED	USED
	LR	18K	NONE	220K	33K	NONE	NONE	NONE	NONE	NONE	USED	USED	USED
	A	18K	58K	220K	33K	NONE	NONE	NONE	NONE	NONE	USED	USED	USED
CA-D452TR/D432TR	S/E/EN	18K	68K	220K	82K	USED	USED	USED	USED	NONE	NONE	NONE	NONE
	EE	68K	18K	220K	82K	USED	USED	USED	USED	NONE	NONE	NONE	NONE
MX-D602T	J/C	18K	58K	47K	33K	NONE	NONE	NONE	NONE	USED	NONE	NONE	NONE
	U/LP/LIS/LIT/LX	18K	68K	47K	33K	NONE	NONE	NONE	NONE	USED	USED	USED	USED
CA-D702T	LR	18K	NONE	47K	33K	NONE	NONE	NONE	NONE	USED	USED	USED	USED
	A	18K	58K	47K	33K	NONE	NONE	NONE	NONE	USED	USED	USED	USED
	S/E/EN	18K	68K	47K	62K	USED	USED	USED	USED	USED	NONE	NONE	NONE
CA-D752TR	S/E/EN	18K	68K	47K	62K	USED	USED	USED	USED	USED	NONE	NONE	NONE
	EE	68K	68K	47K	62K	USED	USED	USED	USED	USED	NONE	NONE	NONE
CA-MXD300		68K	68K	220K	62K	NONE	NONE	NONE	NONE	NONE	NONE	NONE	NONE

6

5

4

3

2

1

A

B

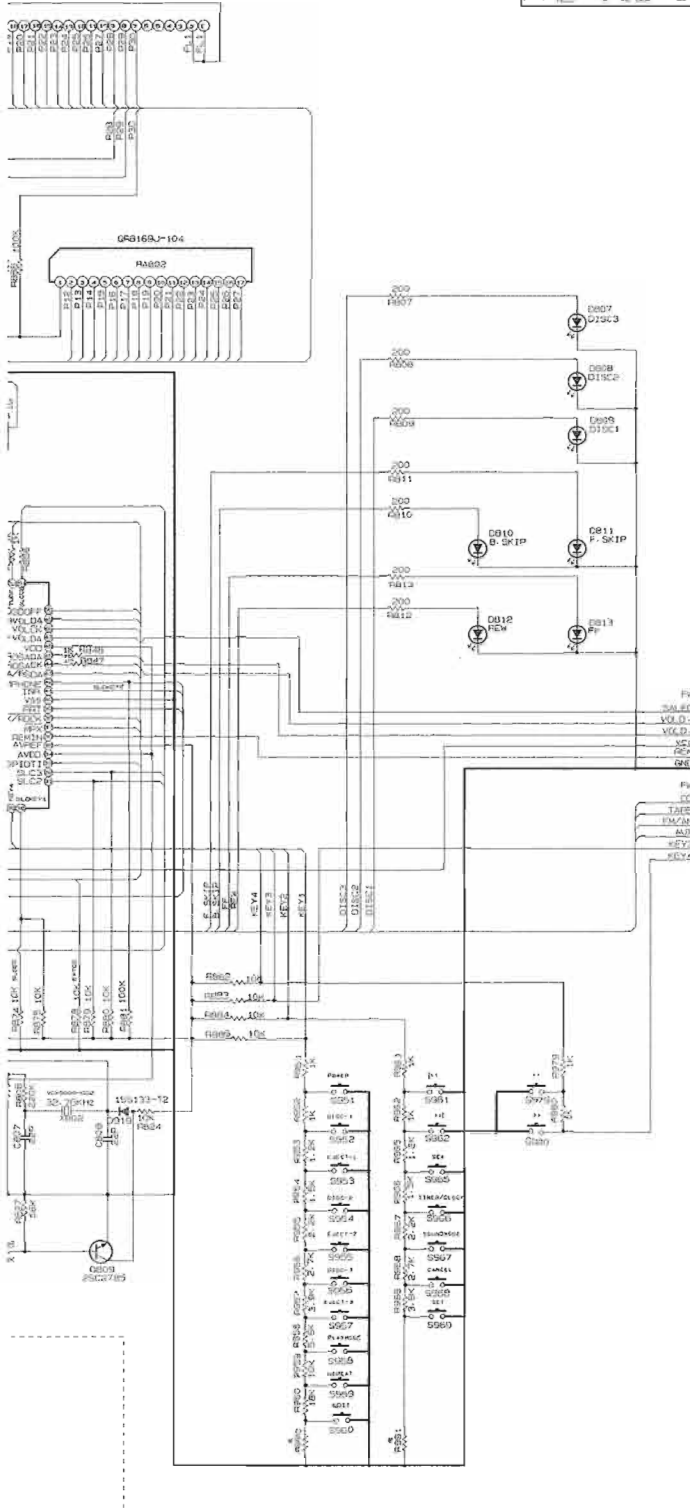
C

D

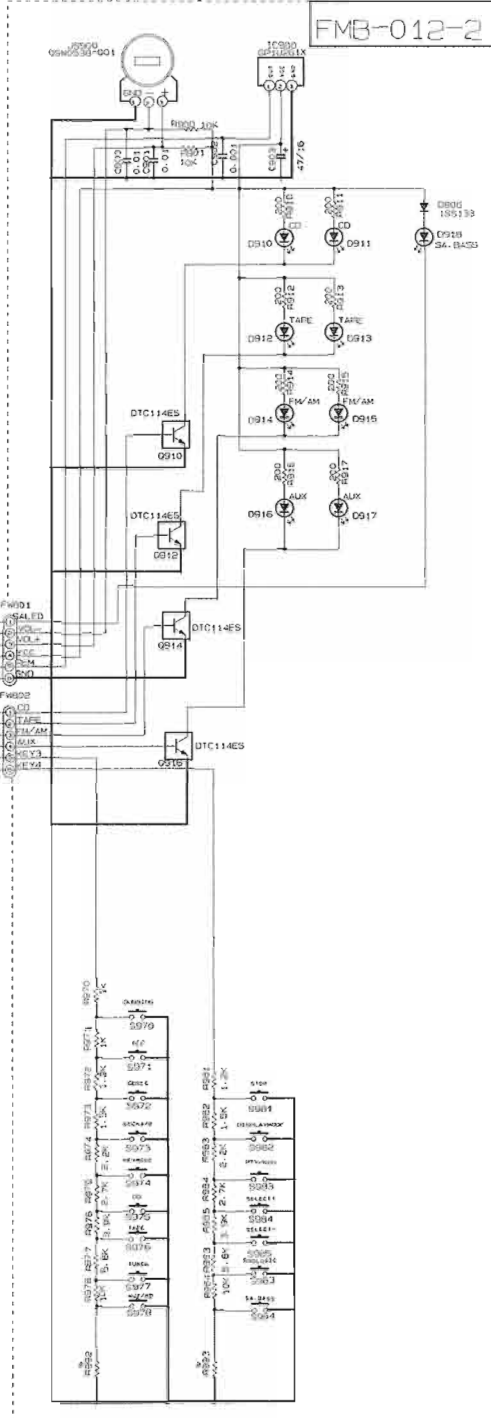
E

CA-D702T/D752TR

FMB-012-1



FMB-012-2



NOTES

1. VOLTAGES ARE OBTAINED WITH A DIGITAL VOLT METER ON DISCONNECTED WIREWOUND INPUT SIGNALS. CONNECTION --- 10K TO GND.
2. TAPES OR OTHERWISE SPECIFIED.
 - RESISTORS ARE MARKED WITH COLOR INDICATION.
 - ALL RESISTANCE VALUES ARE IN OHMS.
 - ALL CAPACITORS ARE TYPICAL CAPACITANCE UNLESS OTHERWISE SPECIFIED.
 - ALL CAPACITANCE VALUES ARE IN PICOFARADS.
 - ALL INDUCTANCE VALUES ARE IN MILLIHENRYS.
 - ALL DIMENSIONS ARE GIVEN IN THE FORM OF CAPACITANCE, FOLLOWED VOLTAGE (V).
 - ALL DIMENSIONS ARE IN INCHES.

E

F

G

H

I

Input / Source Selector Section

6

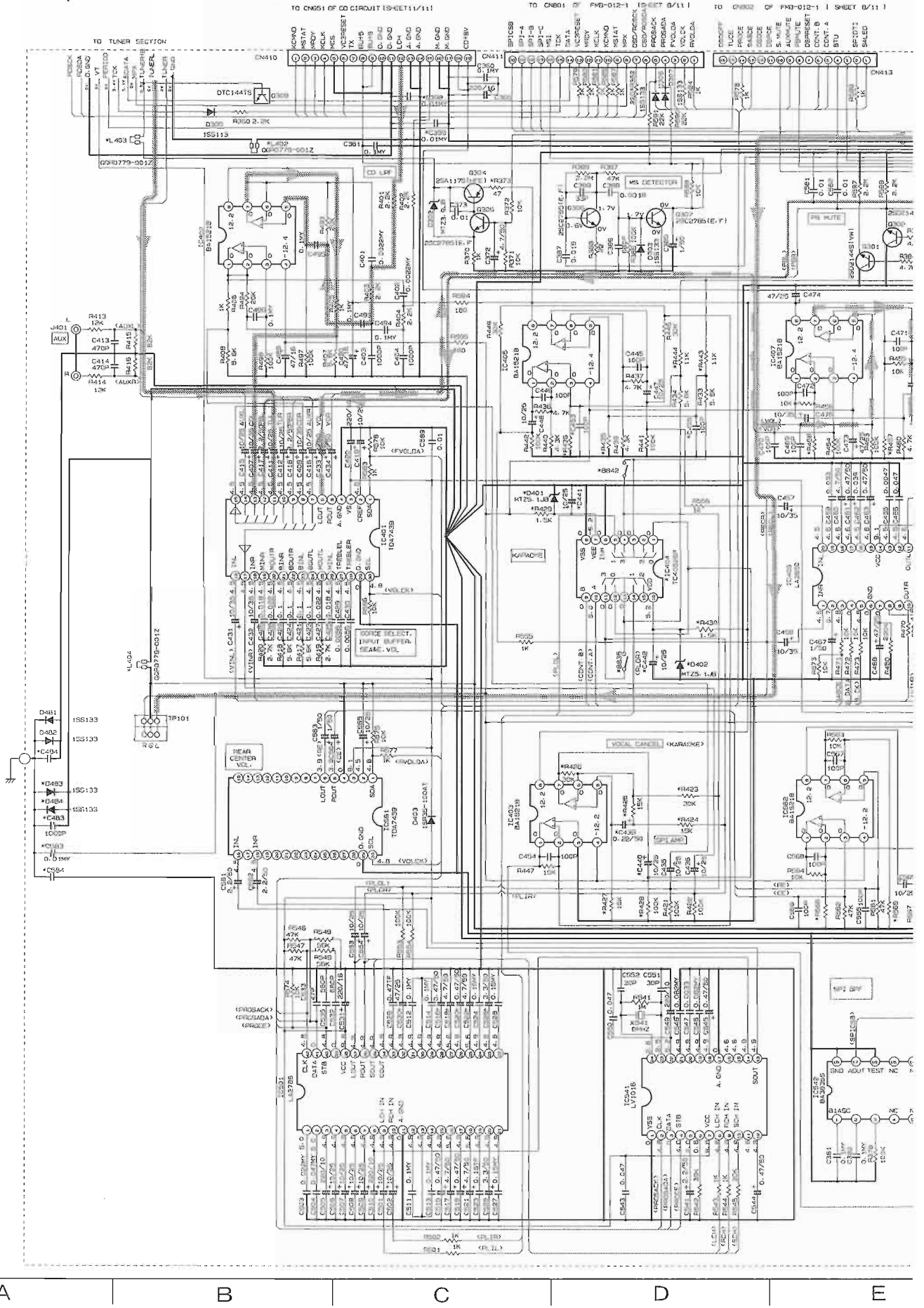
5

4

3

2

1



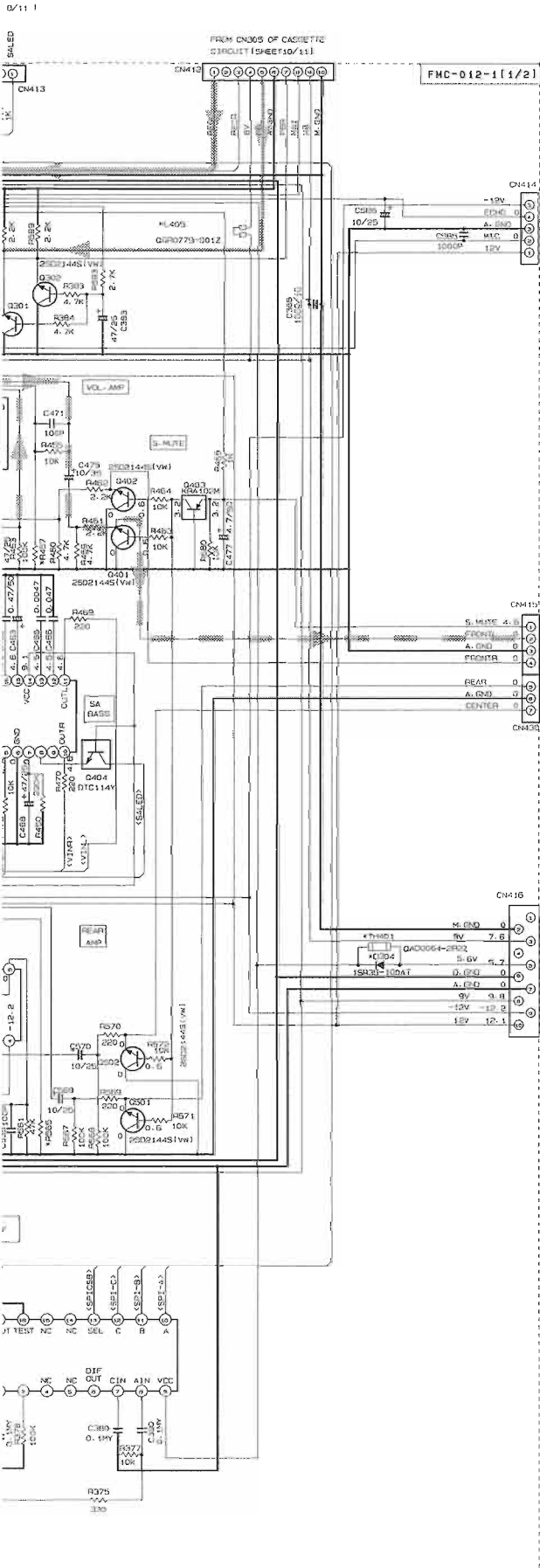
A

B

C

D

E



FROM CN305 OF CASSETTE CIRCUIT (SHEET 10/11)

FROM FMC02 OF FMC-012-6 MIC BOARD

FROM OF FW411 FMC-012-5 CONNECTOR BOARD

FROM CN306 OF FMC-014-2 POWER AMP BOARD

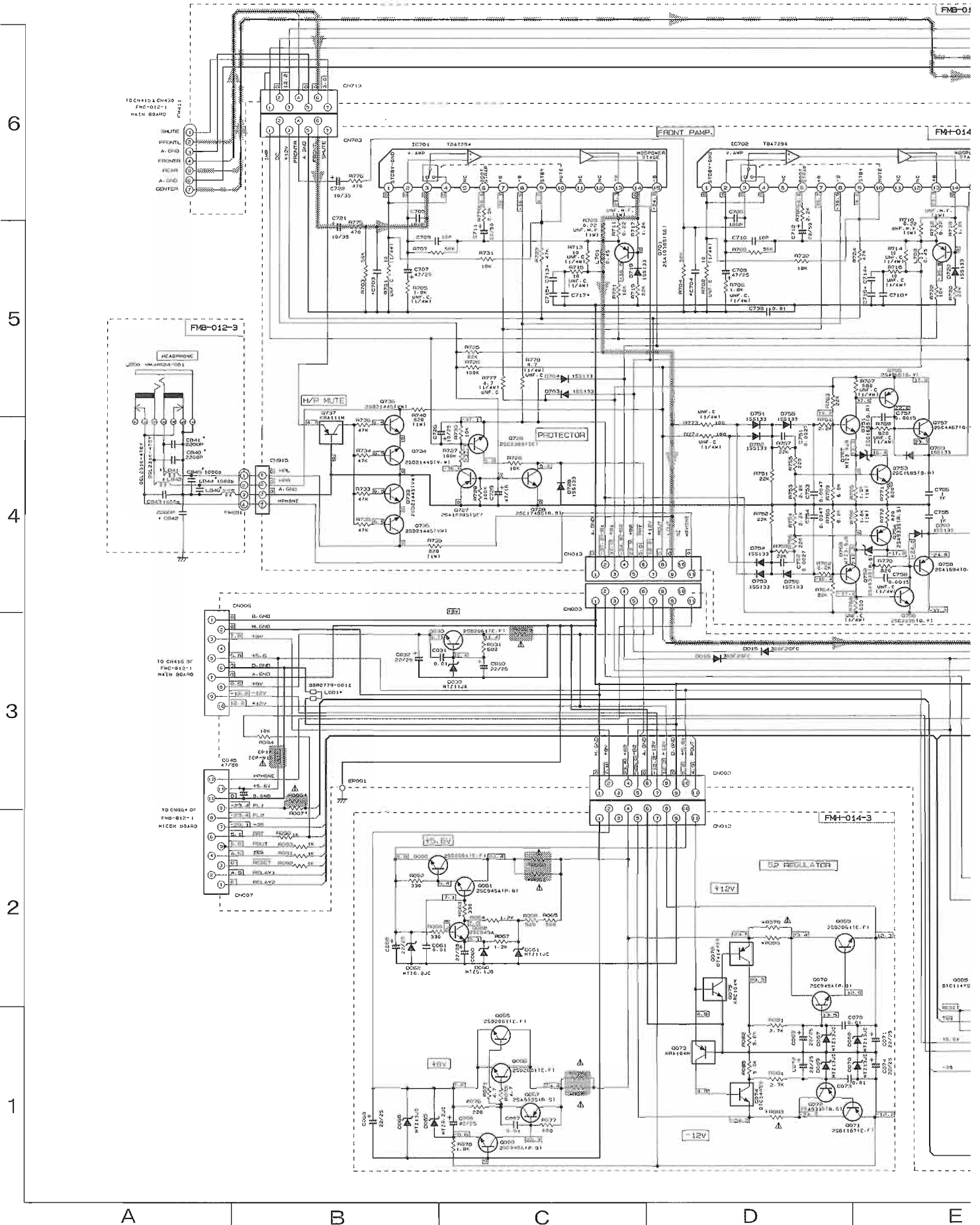
----- Input Signal
 ~~~~~ Front Signal  
 ~~~~~ Rear Signal  
 ~~~~~ Center Signal

\* MARK

| FUNC      | SYMBOL           | O: USED X: NONE |        |                       |       |        |       |
|-----------|------------------|-----------------|--------|-----------------------|-------|--------|-------|
|           |                  | J               | C      | U-12-1/3<br>U1-1/3    | A     | B: 5/8 | SE    |
| MICROPH   | R423-R426        | X               | X      | D                     | D     | X      | X     |
|           | C433-C443        | X               | X      | D                     | D     | X      | X     |
| POLYTR    | IC404            | D               | D      | D                     | D     | D      | D     |
|           | R443-R443        | D               | D      | D                     | D     | D      | D     |
|           | C441-C442        | D               | D      | D                     | D     | D      | D     |
|           | TR401-TR402      | D               | D      | D                     | D     | D      | D     |
| NEW CON   | R443, R444       | X               | X      | D                     | D     | X      | X     |
|           | R455, R455       | 4.7K            | 4.7K   | 10.2K                 | 10.2K | 4.7K   | 4.7K  |
| NETW      | R457, R458       | 5.1K            | 5.1K   | 2.2K                  | 2.2K  | 2.2K   | 2.2K  |
|           | R459, R460       | 1.5K            | 1.5K   | 1.5K                  | 1.5K  | 1.5K   | 1.5K  |
|           | C483             | D               | G      | X                     | X     | X      | X     |
|           | C484             | X               | X      | X                     | X     | D      | X     |
|           | D404             | D-01MY          | D-01MY | X                     | X     | D-01   | X     |
|           | D405             | D               | X      | X                     | X     | X      | X     |
|           | TR401            | X               | D      | D                     | D     | D      | D     |
|           | R302             | X               | X      | X                     | X     | D      | D     |
|           | C453, C453       | X               | X      | X                     | X     | D      | D     |
|           | C484             | 100P            | 100P   | 100P                  | 100P  | 5.000P | 100P  |
|           | L402             | D               | D      | D                     | D     | D      | SHORT |
|           | L403             | D               | D      | D                     | D     | D      | SHORT |
| L404      | SHORT            | SHORT           | SHORT  | SHORT                 | SHORT | D      |       |
| L405      | SHORT            | SHORT           | SHORT  | SHORT                 | SHORT | D      |       |
| R372      | 1/4W LAF. 2. RES |                 |        | 1/4W FUSIBLE RESISTOR |       |        |       |
| C388-C393 | D                | D               | D      | D                     | D     | X      |       |

E F G H I

Audio Output Section





# CD Section

6

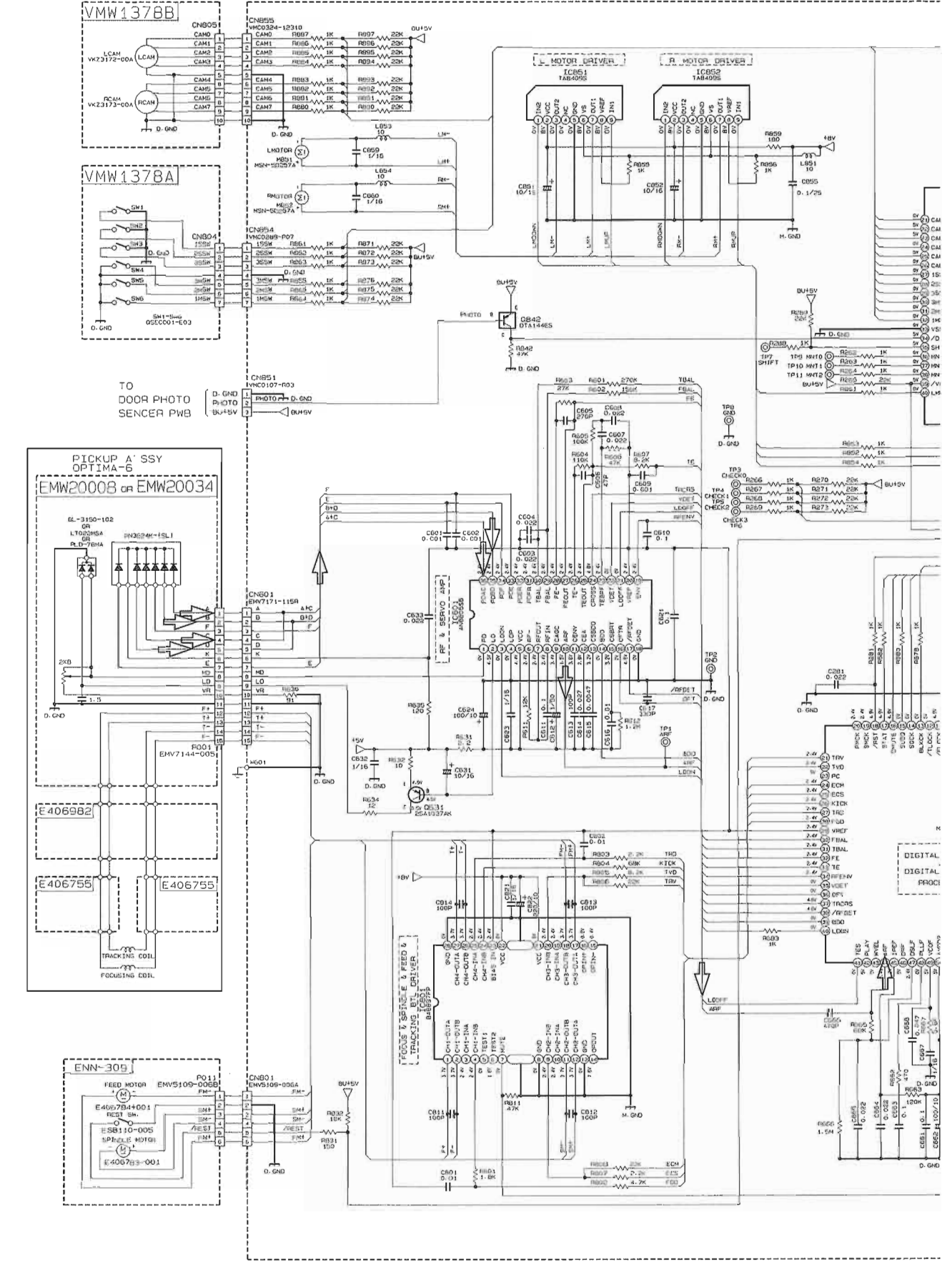
5

4

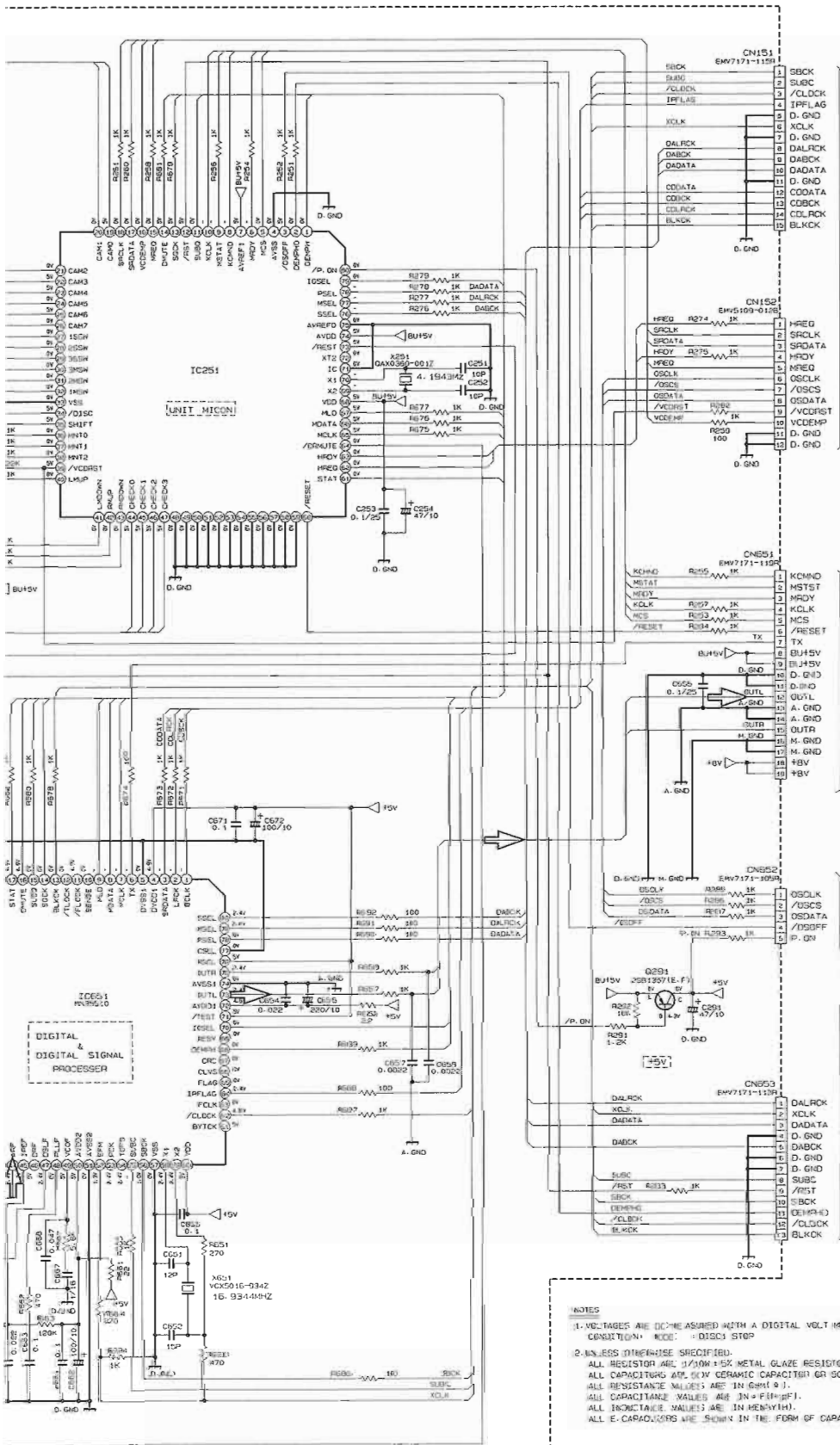
3

2

1



A B C D E



DON'T USE

FROM CN410 OF FMC-021-1 (SHEET /11)

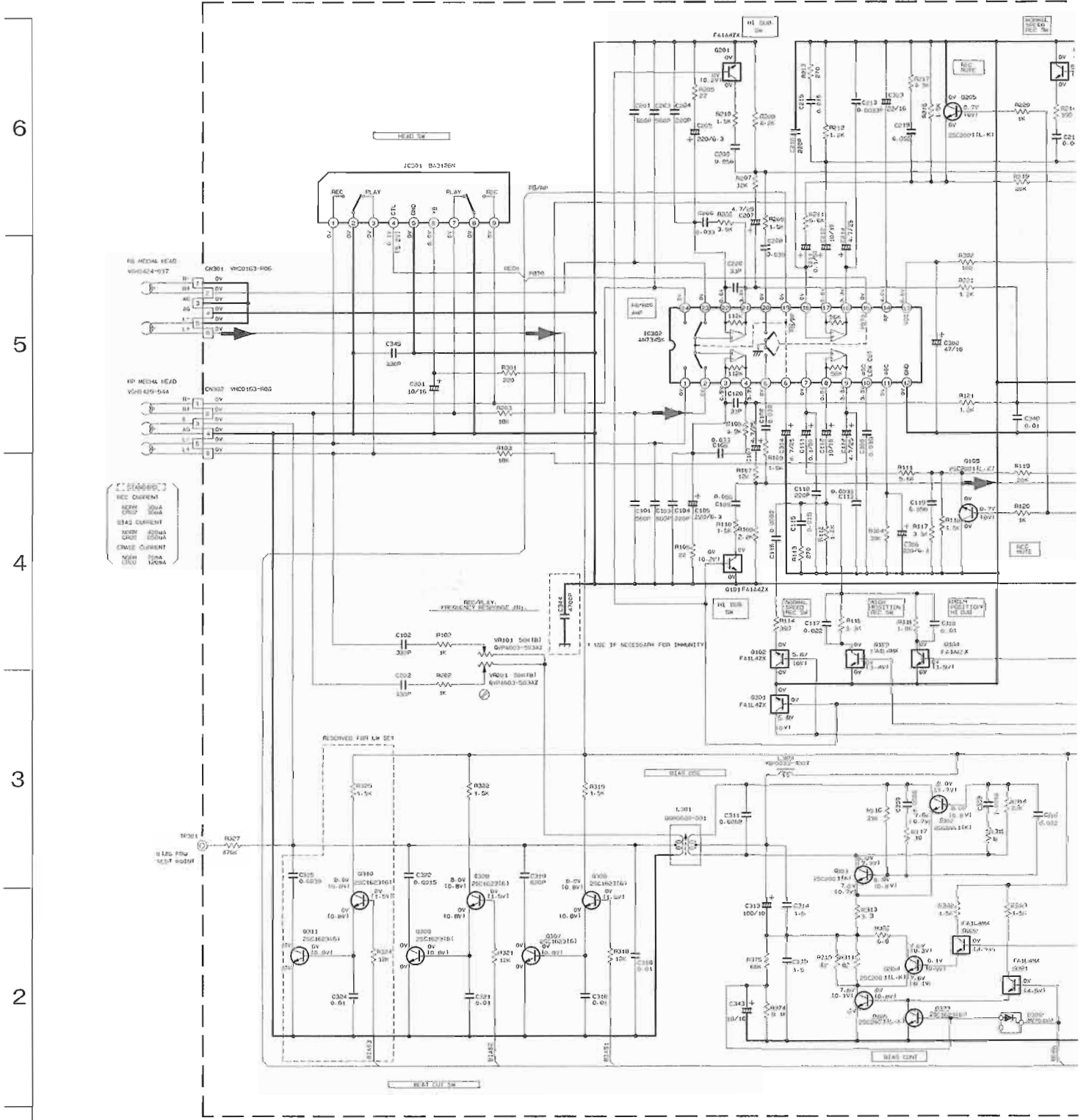
DON'T USE

- NOTES
1. VOLTAGES ARE MEASURED WITH A DIGITAL VOLT METER CONDITION: MODE: DISC1 STOP
  2. UNLESS OTHERWISE SPECIFIED:
    - ALL RESISTORS ARE 1/10W ± 5% METAL GLAZE RESISTORS.
    - ALL CAPACITORS ARE 50V CERAMIC CAPACITOR OR 50V MYLAR CAPACITOR.
    - ALL RESISTANCE VALUES ARE IN OHMS (Ω).
    - ALL CAPACITANCE VALUES ARE IN PICO-FEET (PF).
    - ALL INDUCTANCE VALUES ARE IN MEGAHENRY (MH).
    - ALL CAPACITORS ARE SHOWN IN THE FORM OF CAPACITANCE ± F / RATED VOLTAGE (V).

➡ CD SIGNAL

EMW10729

■ Tape Section



REC. CURRENT  
STAG. CURRENT  
CRASE CURRENT

- NOTES**
1. VOLTAGES ARE DC-MEASURED WITH A DIGITAL VOLT METER ON OSCILLOSCOPE WITHOUT TRIGGER SIGNAL. I IS INVERT MODE
  2. UNLESS OTHERWISE SPECIFIED:
    - ALL RESISTANCE VALUES ARE IN OHMS (Ω).
    - ALL CAPACITORS ARE CERAMIC CAPACITOR.
    - ALL CAPACITANCE VALUES ARE IN μF(10<sup>-6</sup>F).
    - ALL INDUCTANCE VALUES ARE IN mH(10<sup>-3</sup>H).
    - ALL ELECTROLYTIC CAPACITORS ARE SHOWN IN THE FORM OF CAPACITANCE (μF)/RATED VOLTAGE (V).
- ≡ POLYPROPYLENE CAPACITOR

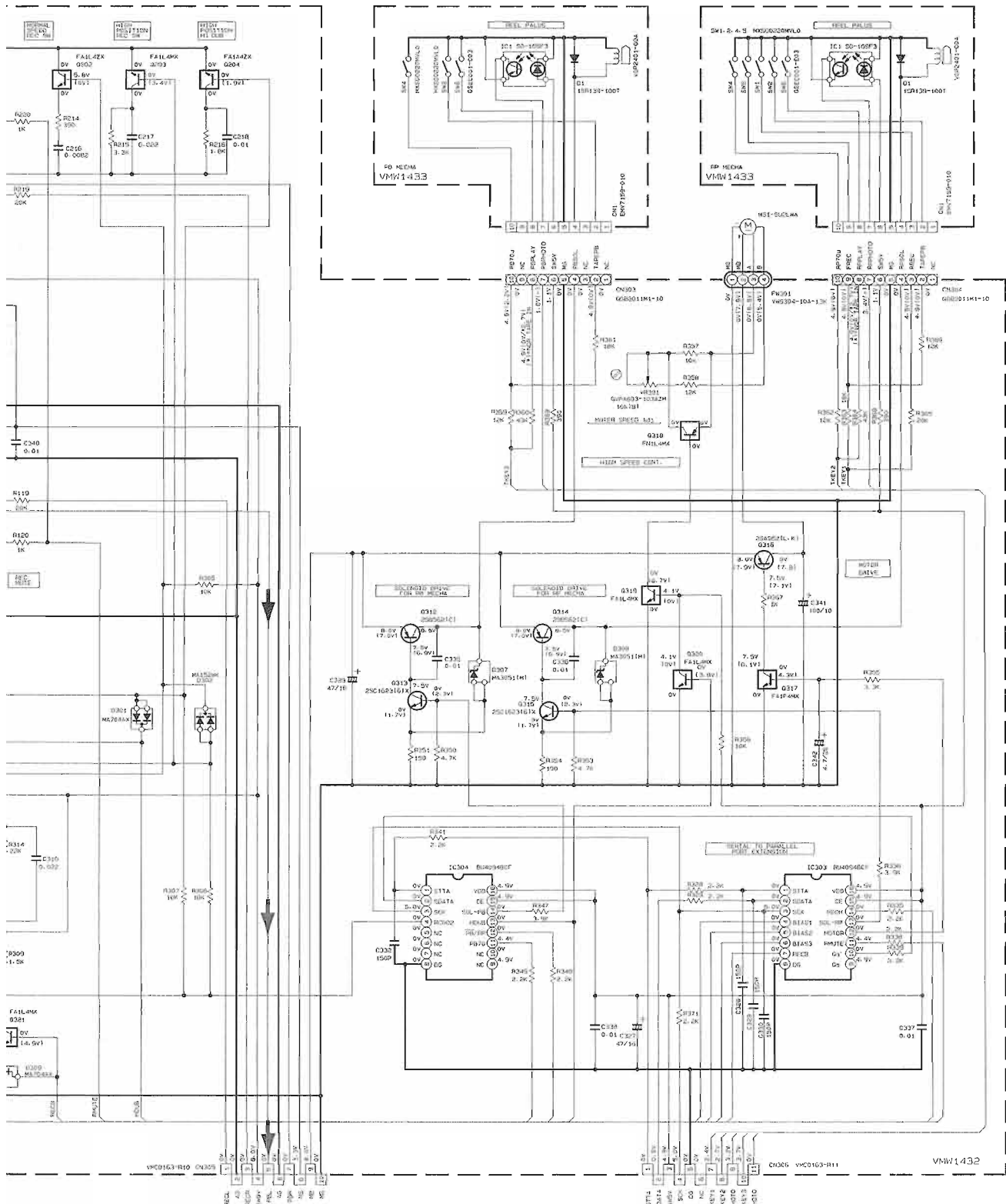
**TABLE 3-DIGITAL TR LIST**

| Part No. | Component | Ref. No. | Part No. | Component | Ref. No. |
|----------|-----------|----------|----------|-----------|----------|
| FA1442   | IC101     | (2)30    | FA1442   | IC102     | (2)37    |
| FA1442   | IC102     | (2)31    | FA1442   | IC103     | (2)38    |
| FA1442   | IC103     | (2)32    | FA1442   | IC104     | (2)39    |

A B C D E



CA-D702T/D752TR



|           |        |
|-----------|--------|
| Q317      | 1N4148 |
| Q310/4003 | 2N2222 |
| Q310      | 2N2222 |

▶ TAPE.PB/MAIN SIGNAL

E

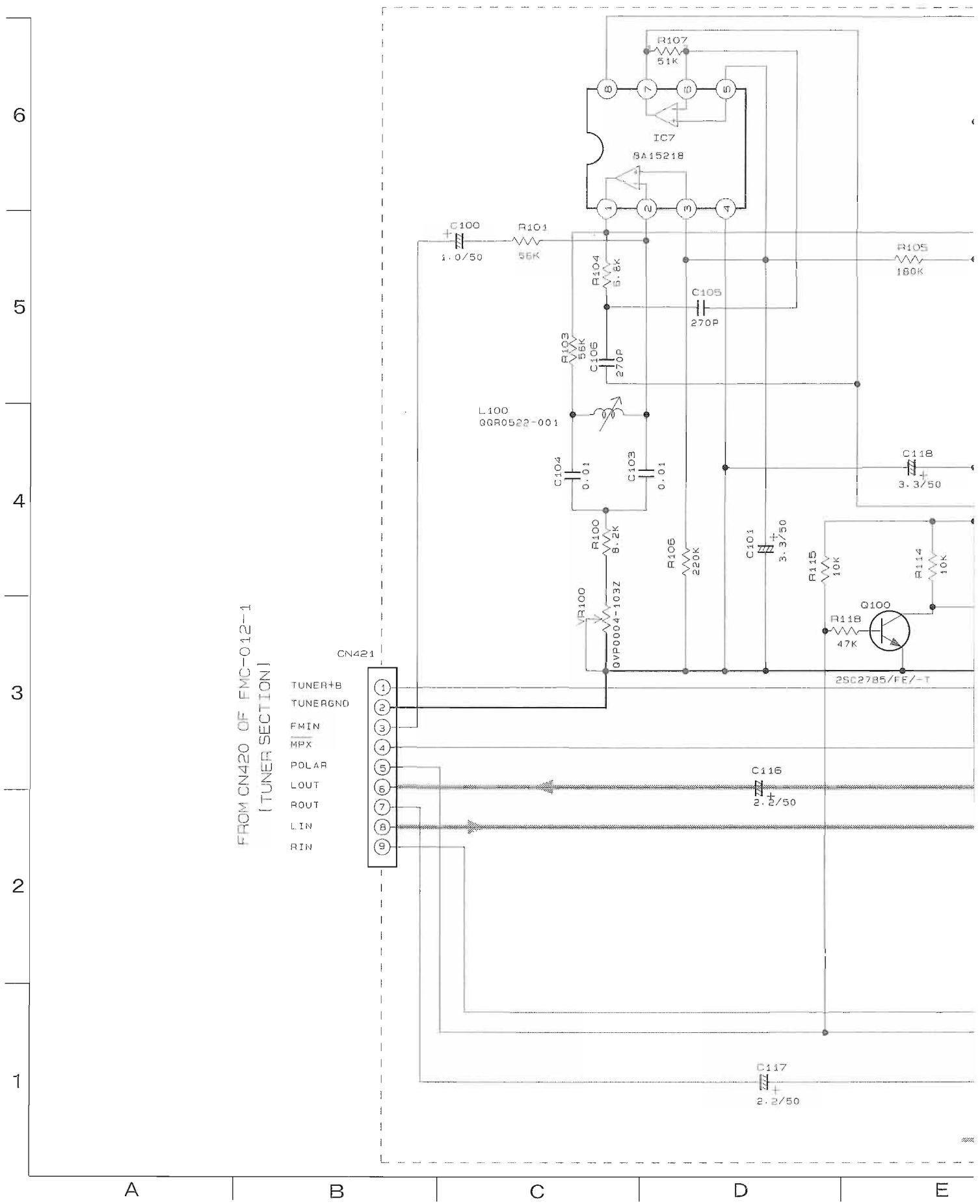
F

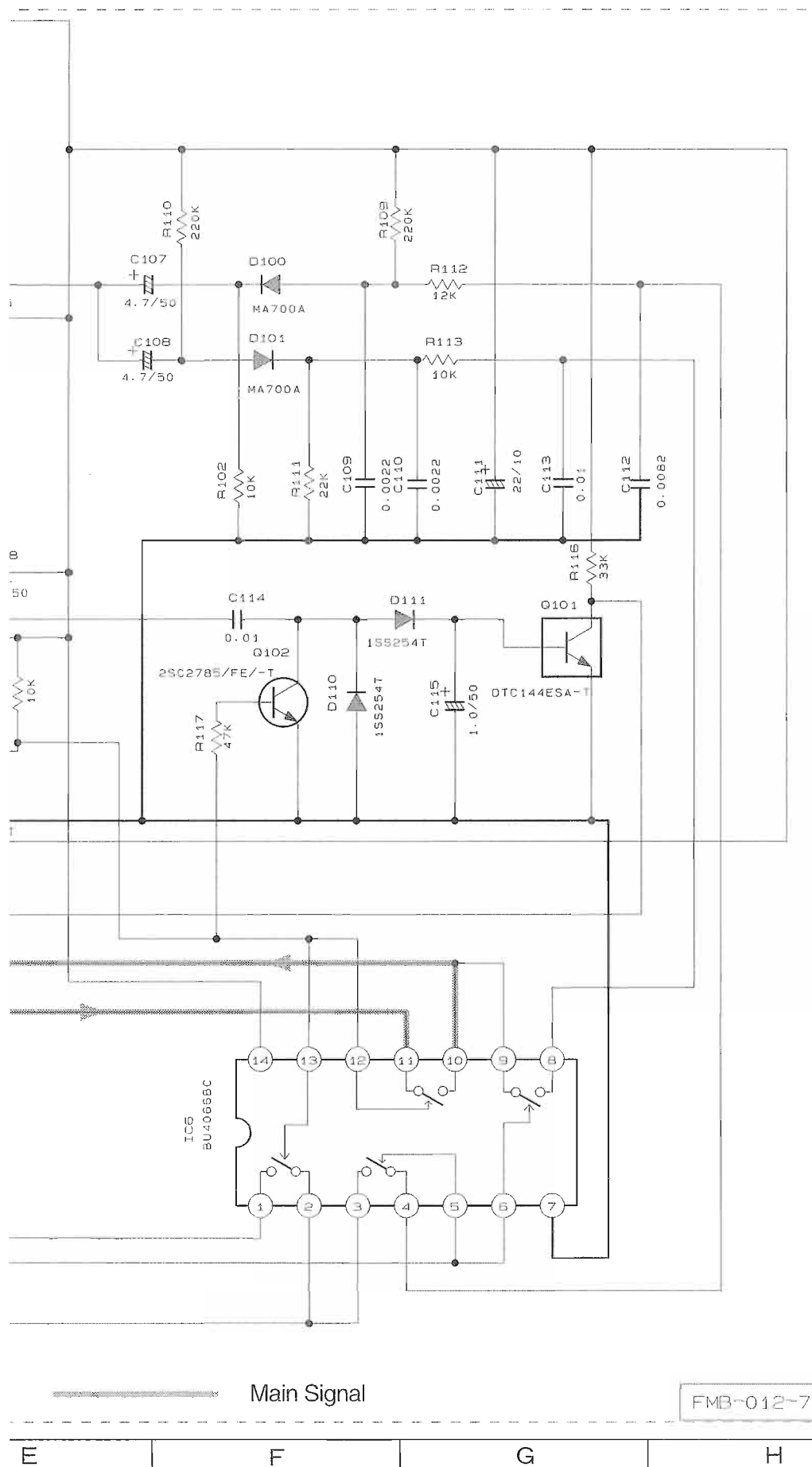
G

H

I

■ FM MPX Detector Section for only CA-D752TREE

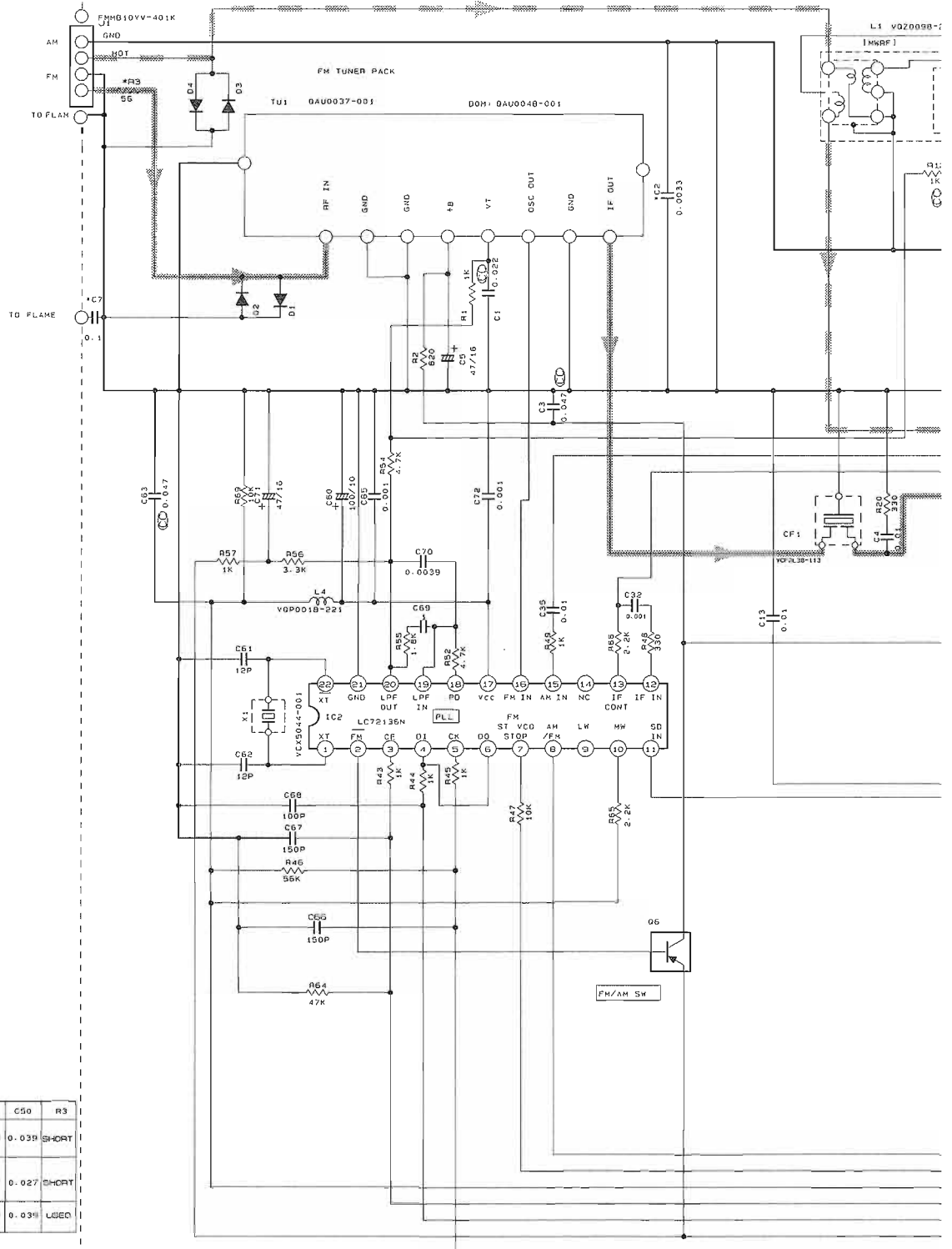




FMB-012-7

■ Tuner Section for only CA-D702TU / UB / UP / US / UT / UX / A

FMC-012-1|2/2|



\*MARK

|     | C2-C7 | C49   | C50   | R3    |
|-----|-------|-------|-------|-------|
| J-C | USED  | 0.039 | 0.039 | SHORT |
| DDM | SHORT | 0.027 | 0.027 | SHORT |
| U-A | SHORT | 0.039 | 0.039 | USED  |

| CONDITION | PIN NO.        | 1   | 2   | 3 | 4   | 5   | 6   | 7   | 8   | 9   | 10  | 11  | 12  | 13  | 14  | 15  | 16  | 17  | 18  | 19  | 20  | 21  | 22  | 23  | 24  |
|-----------|----------------|-----|-----|---|-----|-----|-----|-----|-----|-----|-----|-----|-----|-----|-----|-----|-----|-----|-----|-----|-----|-----|-----|-----|-----|
| IC1       | FM NO SIGNAL   | 2.0 | 0.5 | 0 | 2.0 | 5.2 | 5.2 | 0   | 0   | 0.2 | 5.2 | 5.2 | 1.0 | 1.0 | 4.6 | 3.8 | 3.8 | 1.4 | 0   | 1.3 | 1.1 | 2.0 | 2.0 | 5.2 | 2.0 |
|           | FM 500B STEREO | 2.0 | 0.5 | 0 | 2.0 | 5.2 | 5.2 | 1.1 | 0   | 0.2 | 0   | 0   | 1.0 | 1.0 | 4.5 | 4.1 | 3.9 | 1.4 | 0   | 1.2 | 1.1 | 2.0 | 2.0 | 5.2 | 2.0 |
|           | AM NO SIGNAL   | 2.0 | 0.5 | 0 | 2.0 | 5.0 | 5.2 | 0   | 0   | 0.2 | 5.2 | 5.2 | 1.0 | 1.0 | 4.8 | 2.2 | 0   | 1.4 | 1.4 | 1.5 | 1.5 | 2.0 | 2.0 | 5.2 | 2.0 |
| IC2       | FM NO SIGNAL   | 2.7 | 0   | 0 | 4.9 | 4.9 | 4.9 | 3.8 | 3.8 | 2.0 | 4.1 | 5.2 | 0   | 0   | 0   | 0   | 2.6 | 5.2 | 1.0 | 1.0 | 3.7 | 0   | 2.7 |     |     |

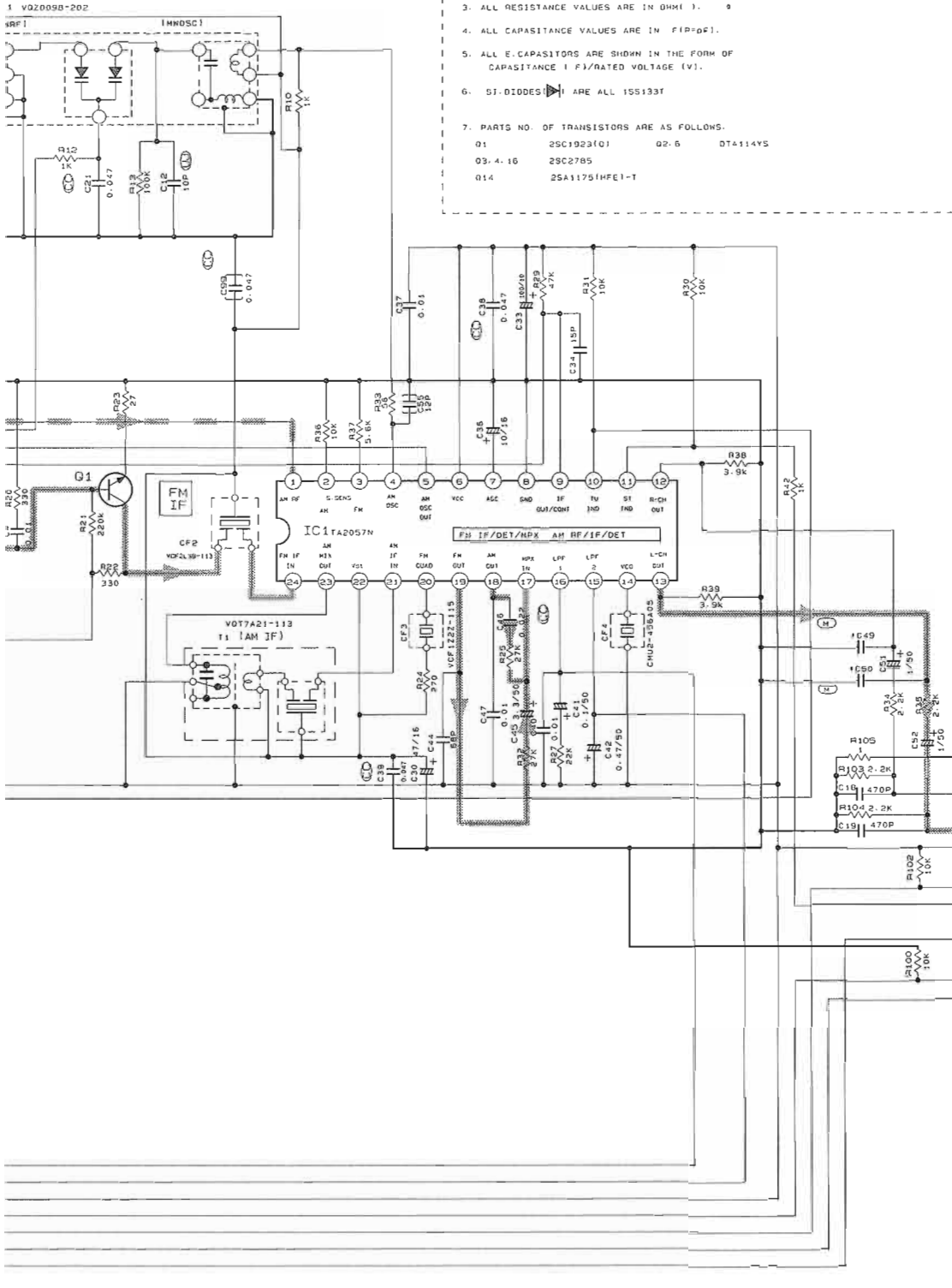
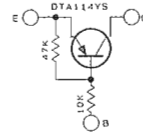
# CA-D702T/D752TR

## NOTES

1. VOLTAGES ARE DC-MEASURED WITH A DIGITAL VOLT METER.
2. ALL RESISTORS ARE 1/6W 5% CARBON RESISTOR.
3. ALL RESISTANCE VALUES ARE IN OHMS (Ω).
4. ALL CAPACITANCE VALUES ARE IN PICO-F (P).
5. ALL E-CAPACITORS ARE SHOWN IN THE FORM OF CAPACITANCE (F)/RATED VOLTAGE (V).
6. SI-DIODES ARE ALL 1SS133T
7. PARTS NO. OF TRANSISTORS ARE AS FOLLOWS.
 

|           |                  |      |          |
|-----------|------------------|------|----------|
| Q1        | 2SC1923(01)      | Q2-5 | DTA114YS |
| Q3, 4, 16 | 2SC2785          |      |          |
| Q14       | 2SA1175(1HFE1-T) |      |          |

8. INSIDE OF DIGITAL TRANSISTORS ARE SHOWN AS FOLLOWS.



TUNER GND  
TUNER R  
TUNER L  
TUNER FB  
DATA  
MPX  
CLOCK  
PERIOD  
V1/FM+B

FROM EXTERNAL SIGNAL INPUT SECTION

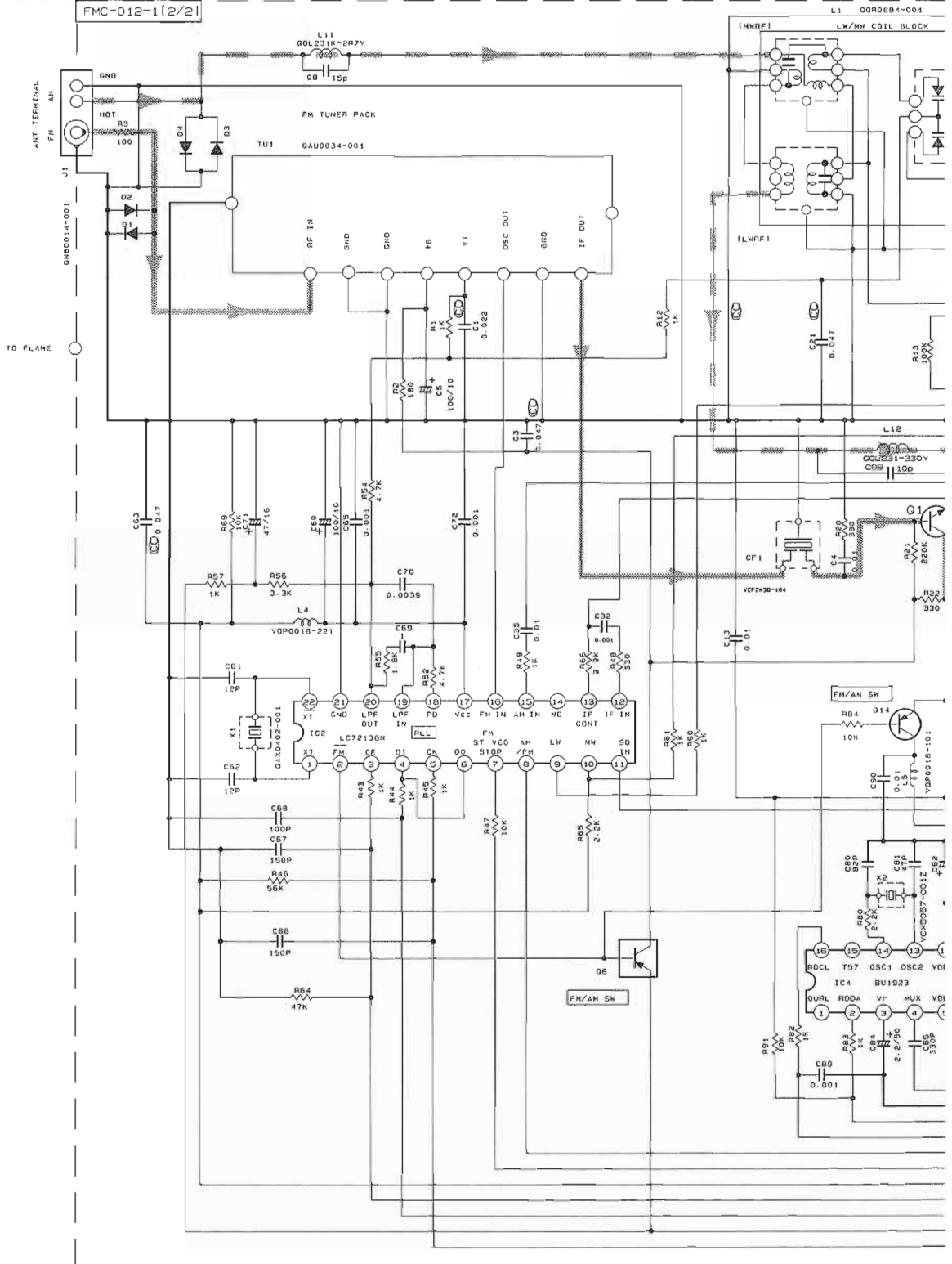
| Tr. NO.              | Q1 |     |     | Q6  |     |     | Q16 |     |     |
|----------------------|----|-----|-----|-----|-----|-----|-----|-----|-----|
| PIN NO.              | E  | C   | B   | E   | C   | B   | E   | C   | B   |
| FM 87.5MHz NO SIGNAL | 0  | 8.3 | 0.8 | 9.8 | 9.7 | 0   | 1.0 | 3.5 | 1.6 |
| AM 520KHz NO SIGNAL  | 0  | 0   | 0   | 9.8 | 0   | 9.7 | 1.0 | 3.5 | 1.6 |

| Tr. NO.             | Q3  |     |     | Q4 |   |     |
|---------------------|-----|-----|-----|----|---|-----|
| PIN NO.             | E   | C   | B   | E  | C | B   |
| AM 520KHz NO SIGNAL | 2.0 | 2.0 | 0.1 | 0  | 0 | 0.7 |
| AM 144KHz NO SIGNAL | 2.0 | 2.0 | 2.0 | 0  | 0 | 0.1 |

FM Signal  
AM Signal

# Tuner Section for only CA-D752TRE / EN / B



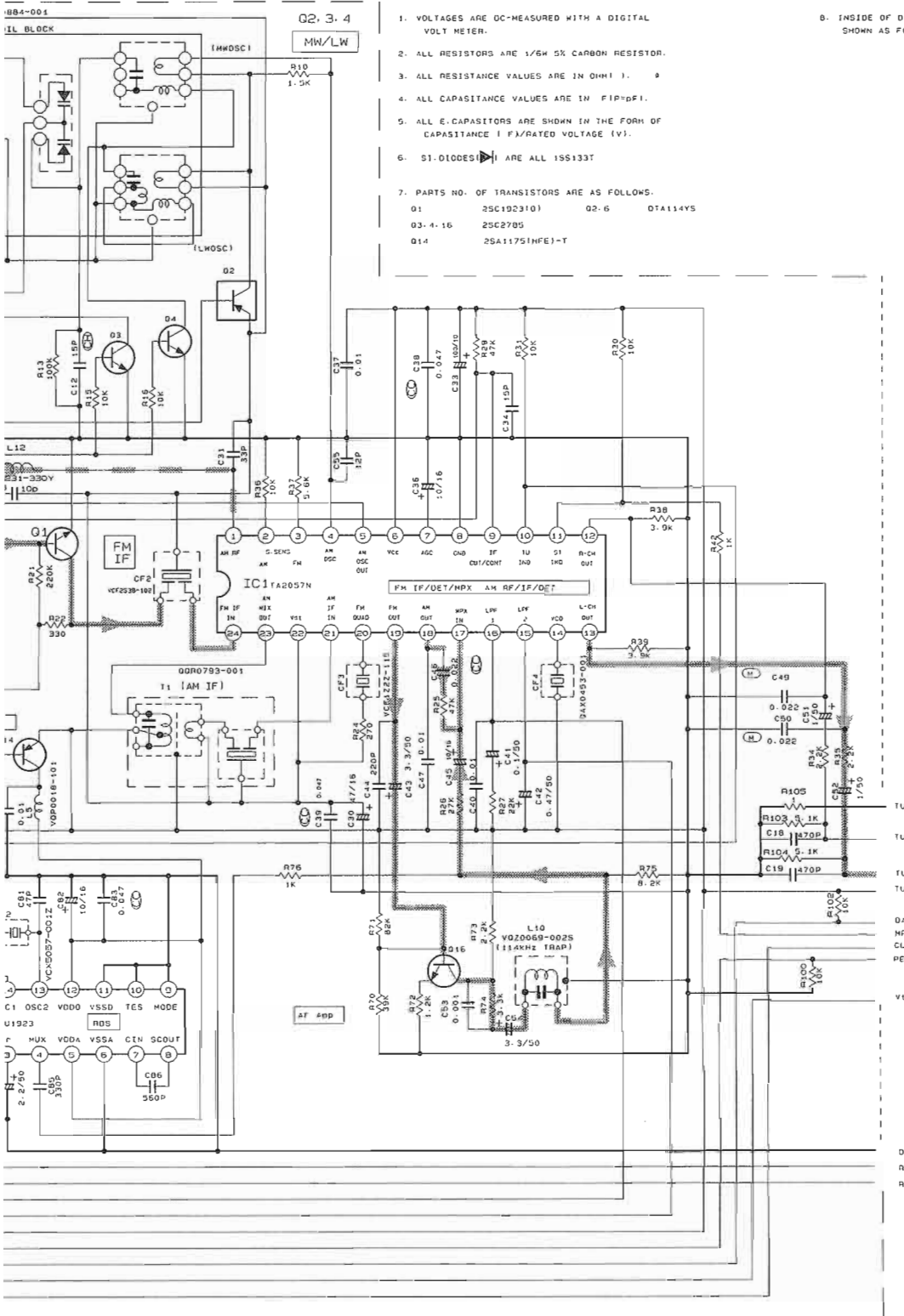
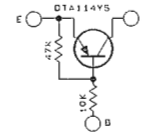
| CONDITION | PIN NO.        | 1   | 2   | 3 | 4   | 5   | 6   | 7   | 8   | 9   | 10  | 11  | 12  | 13  | 14  | 15  | 16  | 17  | 18  | 19  | 20  | 21  | 22  | 23  | 24  |
|-----------|----------------|-----|-----|---|-----|-----|-----|-----|-----|-----|-----|-----|-----|-----|-----|-----|-----|-----|-----|-----|-----|-----|-----|-----|-----|
| IC1       | FM NO SIGNAL   | 2.0 | 0.5 | 0 | 2.0 | 5.2 | 5.2 | 0   | 0   | 0.5 | 5.2 | 5.2 | 1.0 | 1.0 | 4.6 | 3.8 | 3.8 | 1.4 | 0   | 1.3 | 1.1 | 2.0 | 2.0 | 5.2 | 2.0 |
|           | FM 500B STEREO | 2.0 | 0.5 | 0 | 2.0 | 5.2 | 5.2 | 1.3 | 0   | 0.5 | 0   | 0   | 1.0 | 1.0 | 4.5 | 4.1 | 3.9 | 1.4 | 0   | 1.2 | 1.1 | 2.0 | 2.0 | 5.2 | 2.0 |
|           | AM NO SIGNAL   | 2.0 | 0.5 | 0 | 2.0 | 5.0 | 5.2 | 0   | 0   | 0.2 | 5.2 | 5.2 | 1.0 | 1.0 | 4.8 | 2.2 | 0   | 1.4 | 1.4 | 1.5 | 1.6 | 2.0 | 2.0 | 5.2 | 2.0 |
| IC2       | FM NO SIGNAL   | 2.7 | 0   | 0 | 4.9 | 4.9 | 4.9 | 3.8 | 3.8 | 2.0 | 4.1 | 5.2 | 0   | 0   | 0   | 0   | 2.5 | 5.2 | 1.0 | 1.0 | 3.7 | 0   | 2.7 |     |     |

P1  
 FM 87.5  
 AM 522  
 P2  
 AM 522  
 AM 144

NOTES

1. VOLTAGES ARE DC-MEASURED WITH A DIGITAL VOLT METER.
2. ALL RESISTORS ARE 1/6W 5% CARBON RESISTOR.
3. ALL RESISTANCE VALUES ARE IN OHMS ( ).
4. ALL CAPASITANCE VALUES ARE IN PICO-PF.
5. ALL E-CAPASITORS ARE SHOWN IN THE FORM OF CAPASITANCE ( F )/RATED VOLTAGE ( V ).
6. SI-DIODES ARE ALL 1SS133T
7. PARTS NO. OF TRANSISTORS ARE AS FOLLOWS.  
 Q1 2SC1923(10) Q2-6 DTA114Y5  
 Q3,4-16 2SC2705  
 Q14 2SA1175(1HF1)-T

8. INSIDE OF DIGITAL TRANSISTORS ARE SHOWN AS FOLLOWS.



FROM EXTERNAL SIGNAL INPUT SECTION

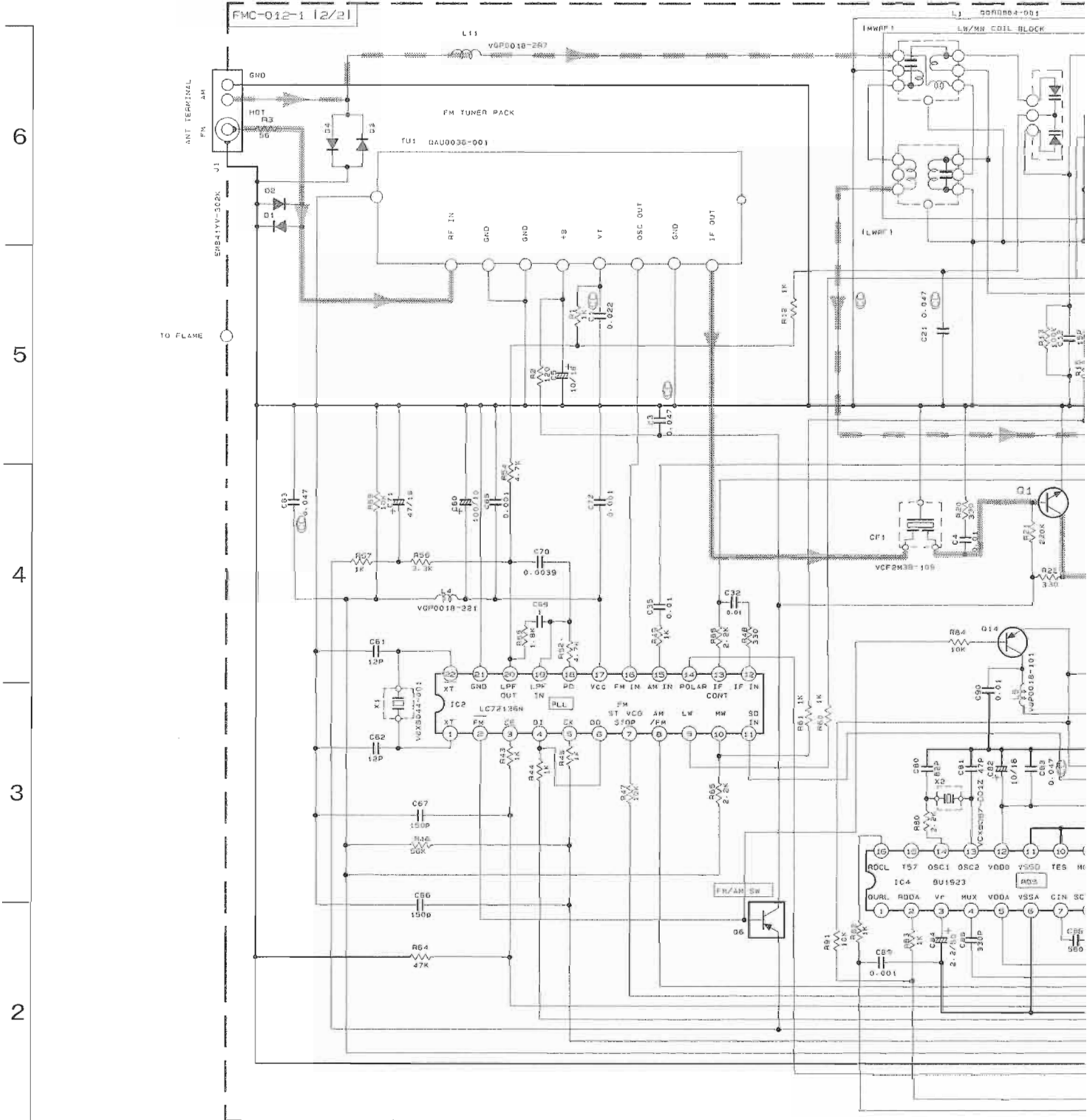
FROM EXTERNAL SIGNAL INPUT SECTION

- TUNER GND
- TUNER R
- TUNER L
- TUNER +B
- DATA
- HPX
- CLOCK
- PERIOD
- VI/FH+B
- D- GND
- RDS- DATA
- RDS- CK

| Tr. NO.              | Q1  |     |     | Q6  |     |     | Q16 |     |     |
|----------------------|-----|-----|-----|-----|-----|-----|-----|-----|-----|
|                      | E   | C   | B   | E   | C   | B   | E   | C   | B   |
| FM 87.9MHz NO SIGNAL | 0   | 0.3 | 0.8 | 0.8 | 0.9 | 0.9 | 1.0 | 3.5 | 1.6 |
| AM 522KHz NO SIGNAL  | 0   | 0   | 0   | 0.0 | 0.9 | 0.9 | 1.0 | 3.5 | 1.6 |
| Tr. NO.              | Q2  |     |     | Q3  |     |     | Q4  |     |     |
|                      | E   | C   | B   | E   | C   | B   | E   | C   | B   |
| AM 522KHz NO SIGNAL  | 2.0 | 2.0 | 0.1 | 0   | 0   | 0.7 | 0   | 0   | 0.7 |
| AM 144KHz NO SIGNAL  | 2.0 | 2.0 | 2.0 | 0   | 0   | 0.1 | 0   | 0   | 0.1 |

FM Signal  
AM Signal

**Tuner Section for only CA-D752TREE**

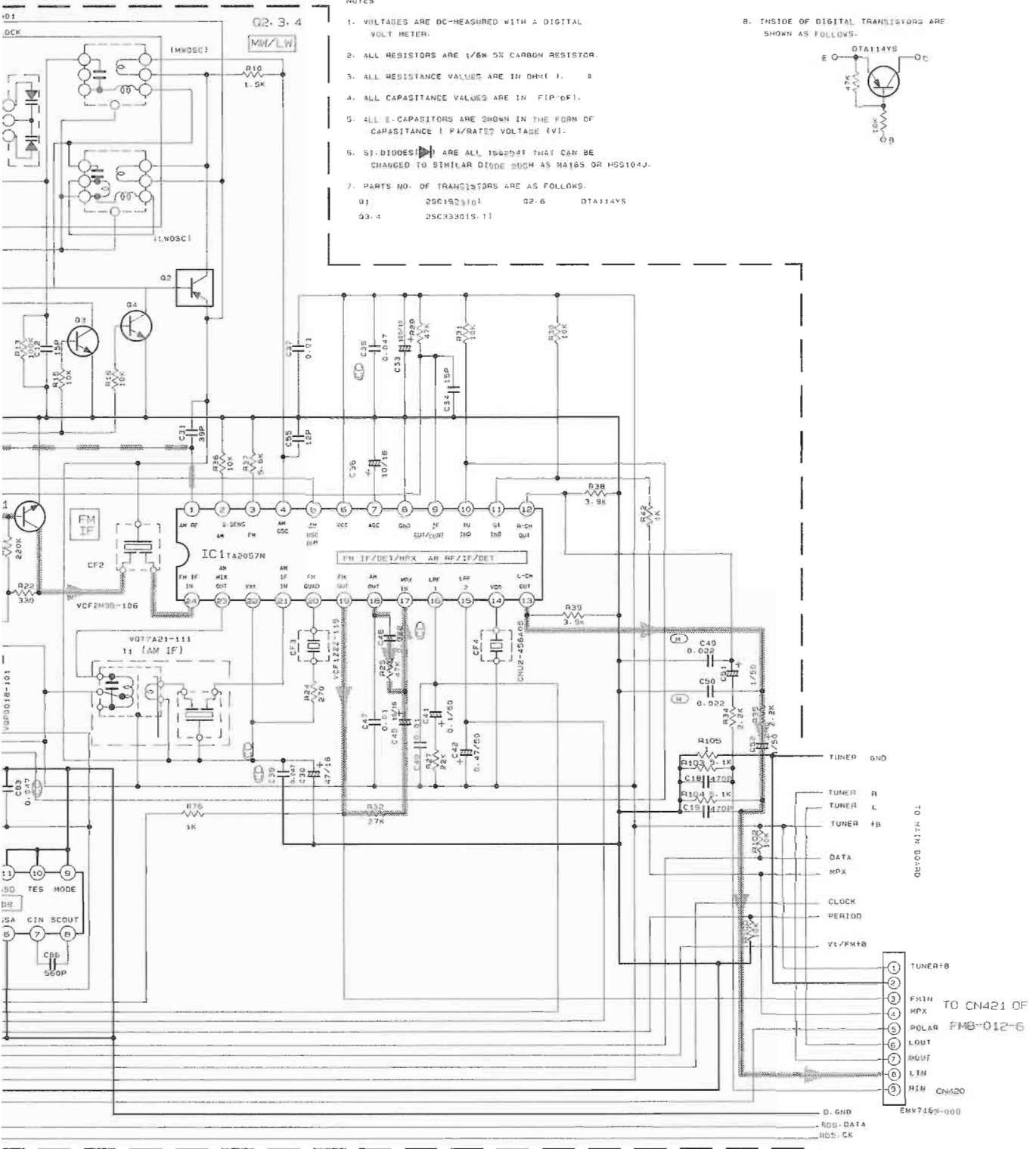


| CONDITION | PIN NO.        | 1   | 2   | 3 | 4   | 5   | 6   | 7   | 8   | 9   | 10  | 11  | 12  | 13  | 14  | 15  | 16  | 17  | 18  | 19  | 20  | 21  | 22  | 23  | 24  |
|-----------|----------------|-----|-----|---|-----|-----|-----|-----|-----|-----|-----|-----|-----|-----|-----|-----|-----|-----|-----|-----|-----|-----|-----|-----|-----|
| IC1       | FM NO SIGNAL   | 2.0 | 0.2 | 0 | 2.0 | 5.2 | 5.2 | 0   | 0   | 0.2 | 5.2 | 5.2 | 5.1 | 1.0 | 4.6 | 3.0 | 3.0 | 1.4 | 0   | 1.3 | 5.1 | 2.0 | 2.0 | 5.2 | 2.0 |
|           | FM GOOD STEREO | 2.5 | 0.5 | 0 | 2.0 | 5.2 | 5.2 | 1.5 | 0   | 0.2 | 5   | 0   | 0   | 0   | 4.5 | 4.4 | 3.9 | 1.4 | 0   | 1.3 | 1.1 | 2.0 | 3.0 | 5.2 | 2.0 |
|           | AM NO SIGNAL   | 2.5 | 0.5 | 0 | 2.5 | 5.0 | 5.2 | 0   | 0   | 0.2 | 5.2 | 5.2 | 1.0 | 1.5 | 4.8 | 2.2 | 0   | 1.4 | 1.4 | 1.5 | 1.6 | 3.0 | 3.0 | 5.2 | 2.0 |
| IC2       | FM NO SIGNAL   | 2.7 | 0   | 0 | 4.9 | 4.9 | 4.9 | 3.8 | 3.8 | 2.0 | 4.1 | 5.2 | 0   | 0   | 0   | 0   | 3.6 | 5.2 | 1.0 | 1.0 | 3.7 | 0   | 2.7 |     |     |
|           | FM NO SIGNAL   | 2.7 | 0   | 0 | 4.9 | 4.9 | 4.9 | 3.8 | 3.8 | 2.0 | 4.1 | 5.2 | 0   | 0   | 0   | 0   | 3.6 | 5.2 | 1.0 | 1.0 | 3.7 | 0   | 2.7 |     |     |

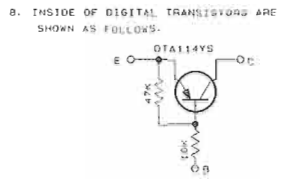
|    |           |
|----|-----------|
| Tr | V0        |
| FM | N0        |
| FM | 87.5MHz   |
| AM | 522kHz N  |
| Tr | R0        |
| FM | N0        |
| AM | 522kHz N  |
| AM | 14.4kHz N |



# CA-D702T/D752TR



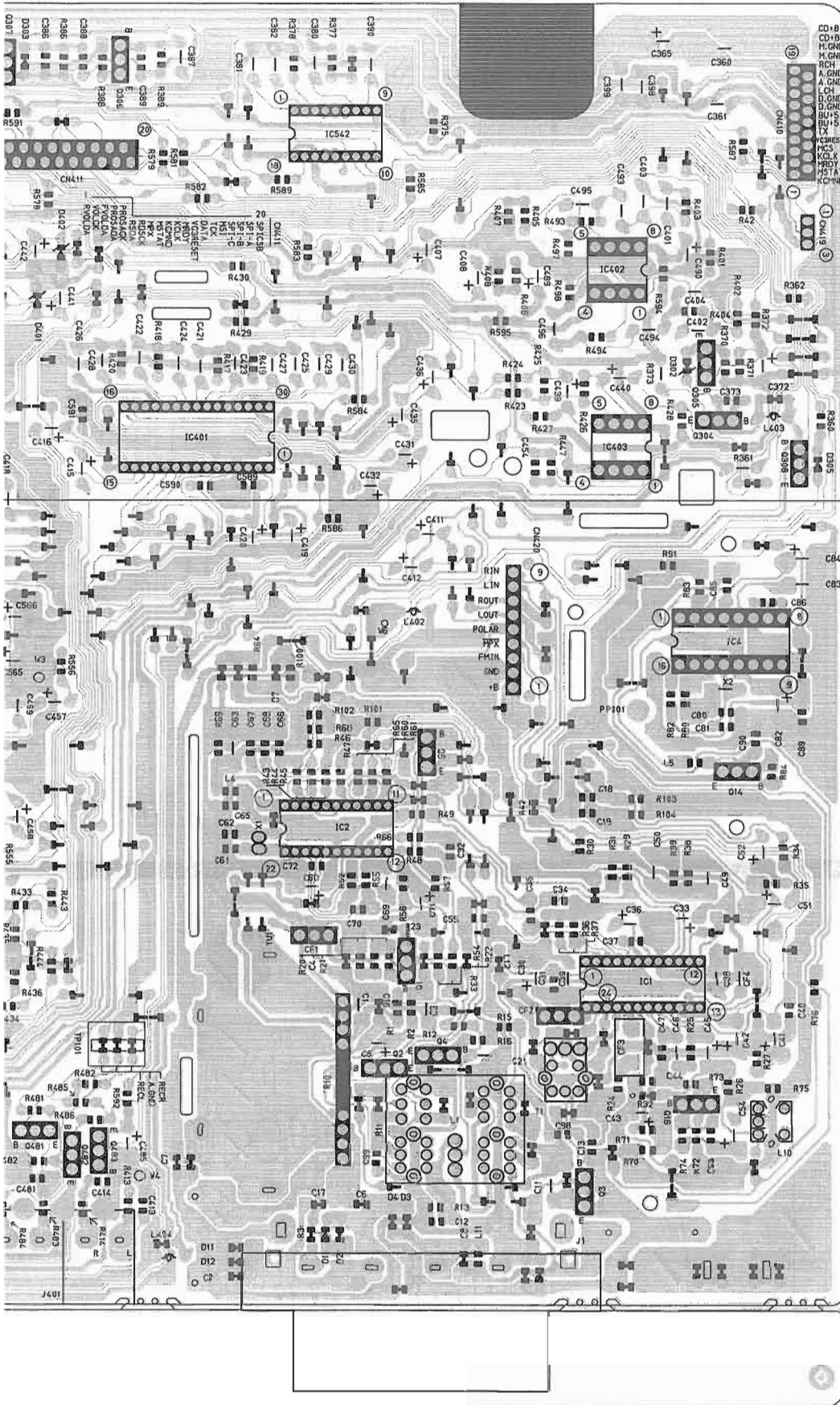
- NOTES
1. VOLTAGES ARE DC-MEASURED WITH A DIGITAL VOLT METER.
  2. ALL RESISTORS ARE 1/6W 5% CARBON RESISTOR.
  3. ALL RESISTANCE VALUES ARE IN OHM (Ω), K (K), OR M (M).
  4. ALL CAPACITANCE VALUES ARE IN P/P-OF-1.
  5. ALL E-CAPACITORS ARE SHOWN IN THE FORM OF CAPACITANCE (P)/RATED VOLTAGE (V).
  6. S1, DIODES (▷) ARE ALL 100V/100mA THAT CAN BE CHANGED TO SIMILAR DIODE SUCH AS MA165 OR HS5104J.
  7. PARTS NO. OF TRANSISTORS ARE AS FOLLOWS:  
 Q1: 2SC1933(D)  
 Q2-6: DTA114YS  
 Q3-4: 2SC3301S(1)



| Tr. NO.              | Q1  |     |     |     | Q6  |     |     |     |     |
|----------------------|-----|-----|-----|-----|-----|-----|-----|-----|-----|
| PIN NO.              | E   | C   | B   | E   | C   | B   | E   | C   | B   |
| FM 87.5MHz NO SIGNAL | 0   | 0.3 | 0.0 | 0.0 | 0.0 | 0.0 | 0.0 | 0.0 | 0.0 |
| AM 520kHz NO SIGNAL  | 0   | 0   | 0   | 0.9 | 0   | 0.7 |     |     |     |
| Tr. NO.              | Q2  |     |     | Q3  |     |     | Q4  |     |     |
| PIN NO.              | E   | C   | B   | E   | C   | B   | E   | C   | B   |
| AM 520kHz NO SIGNAL  | 2.0 | 2.0 | 0.1 | 0   | 0   | 0.7 | 0   | 0   | 0.7 |
| AM 144kHz NO SIGNAL  | 2.0 | 2.0 | 2.0 | 0   | 0   | 0.1 | 0   | 0   | 0.1 |

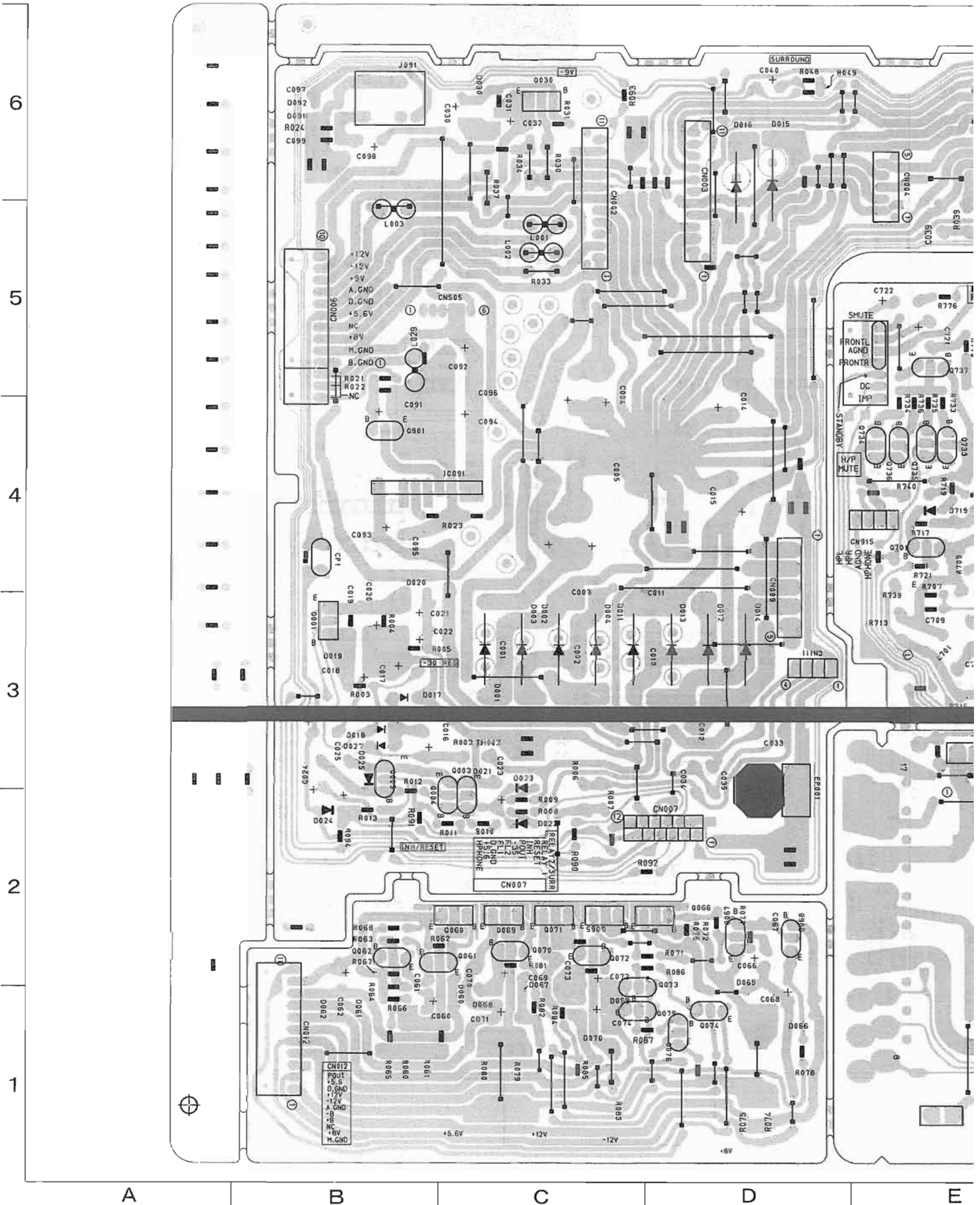
FM Signal  
 AM Signal





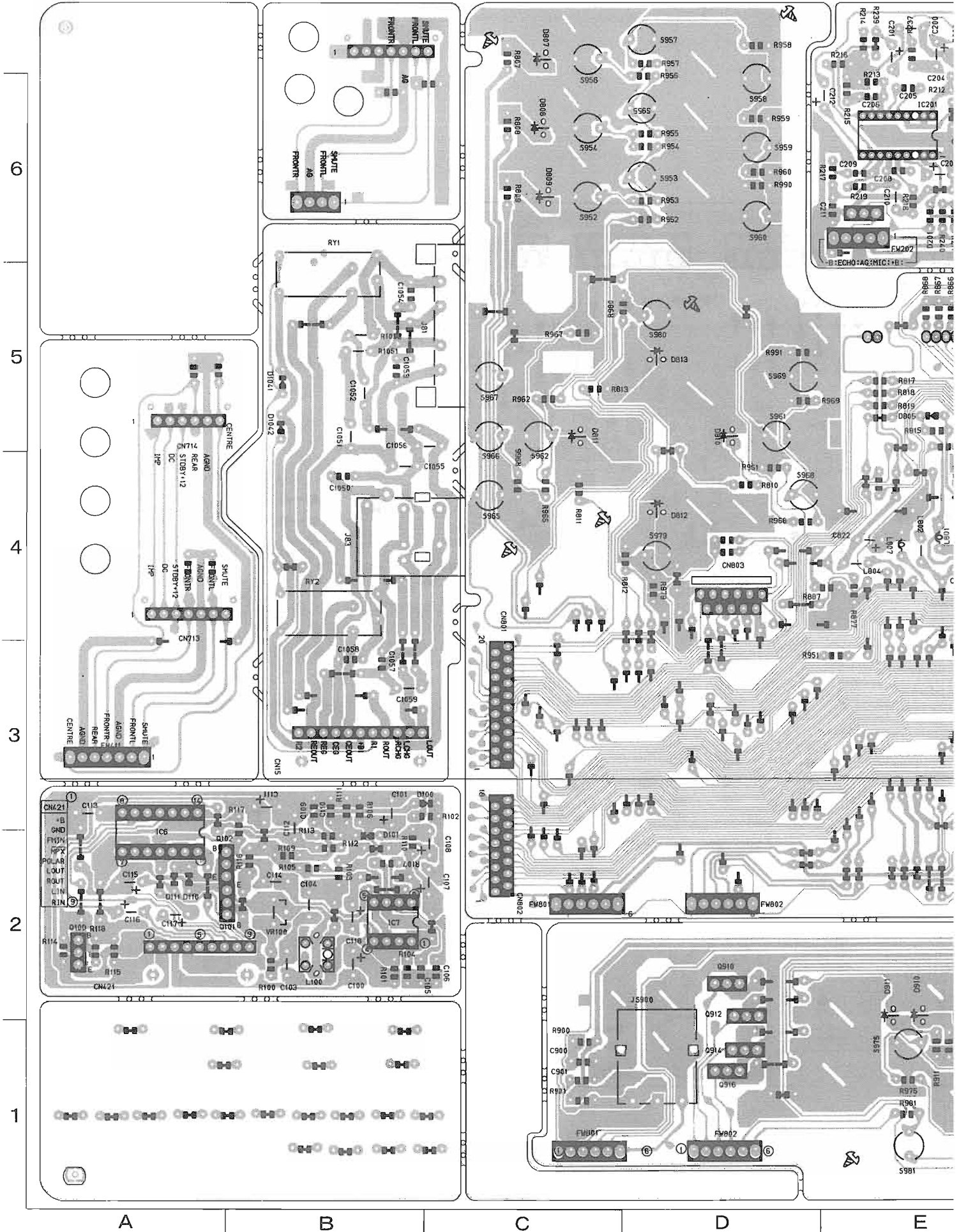
E F G H I

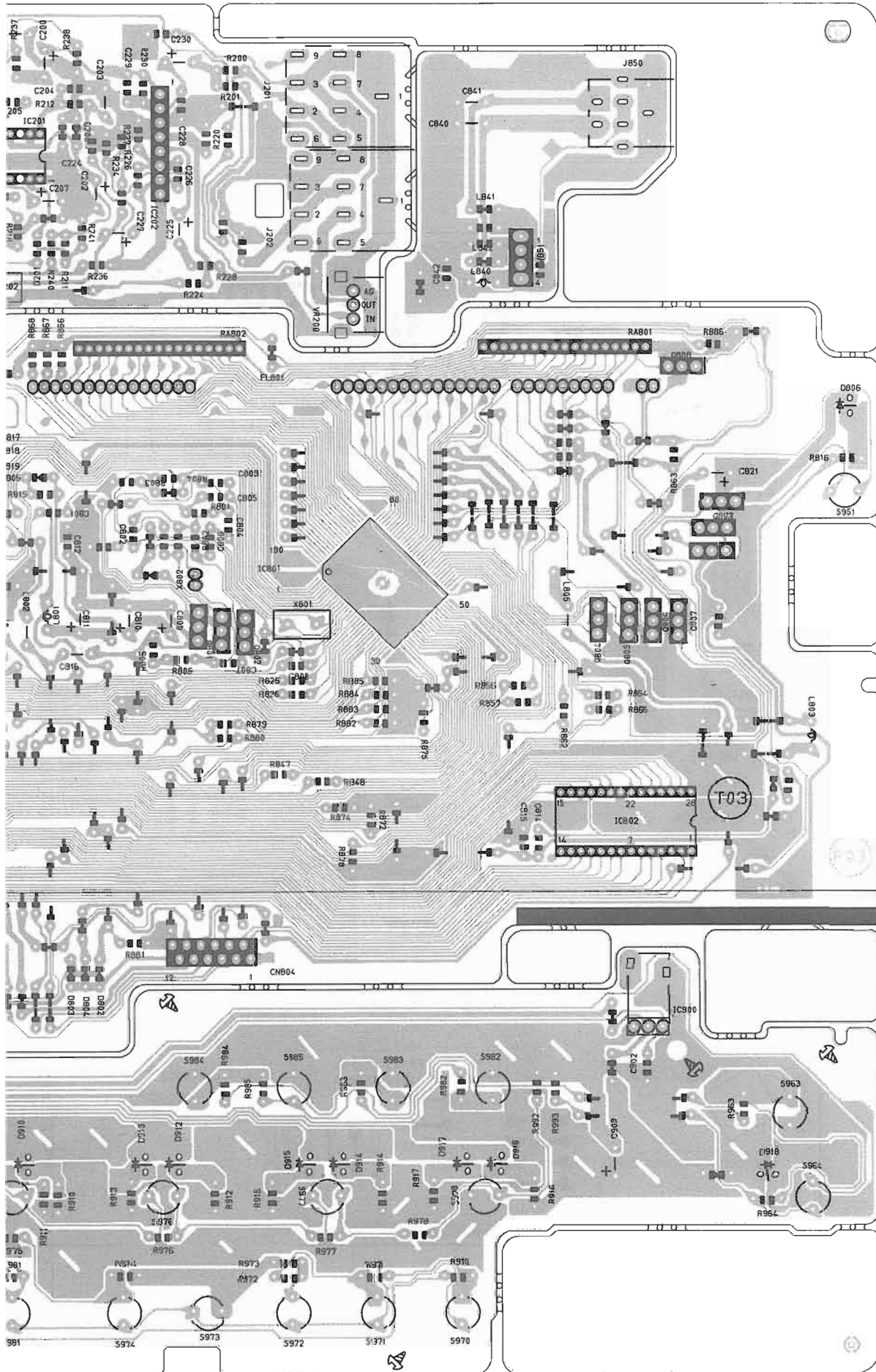
**■ Power Amplifier Board**





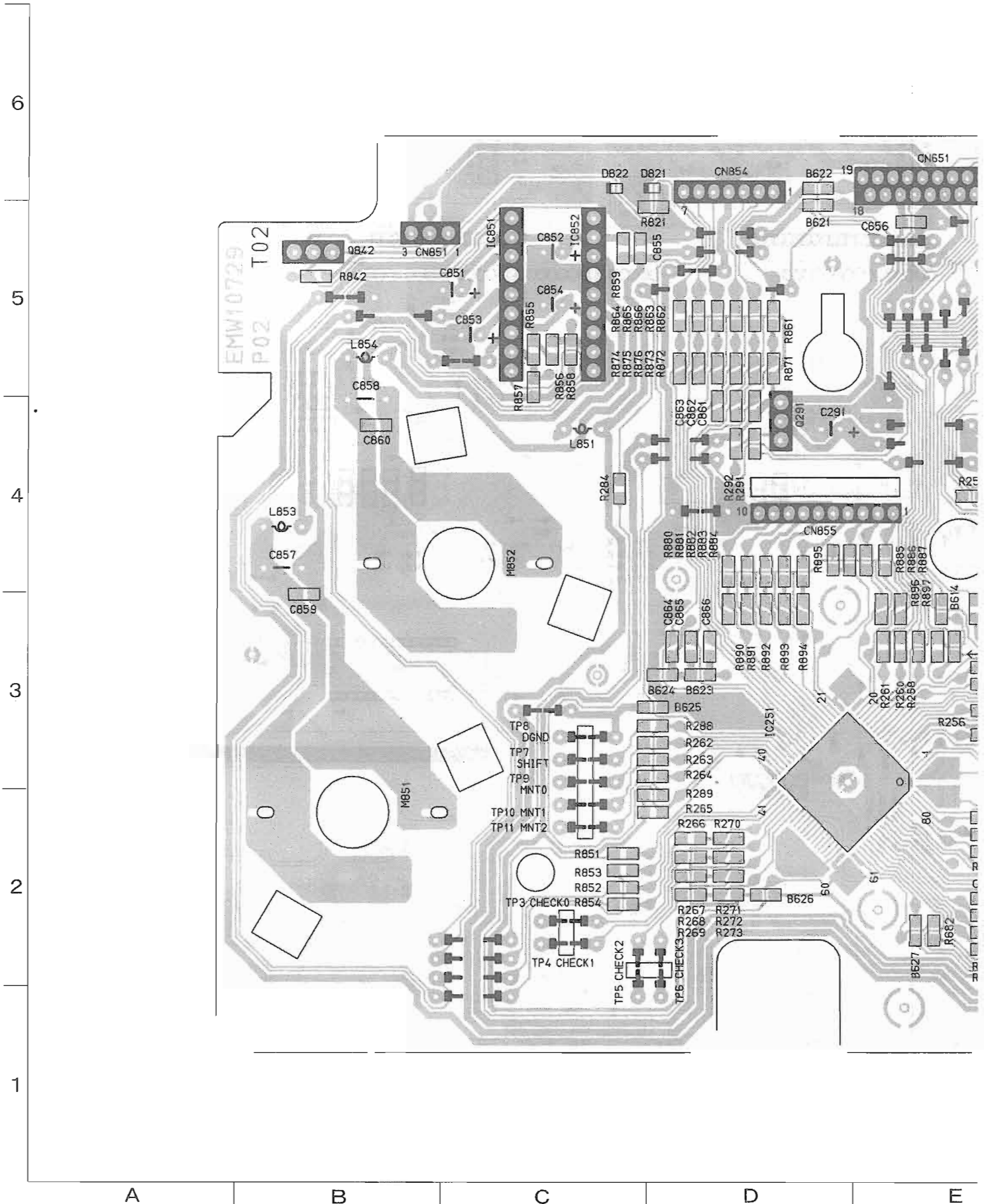
# System Control Operation Switch Board



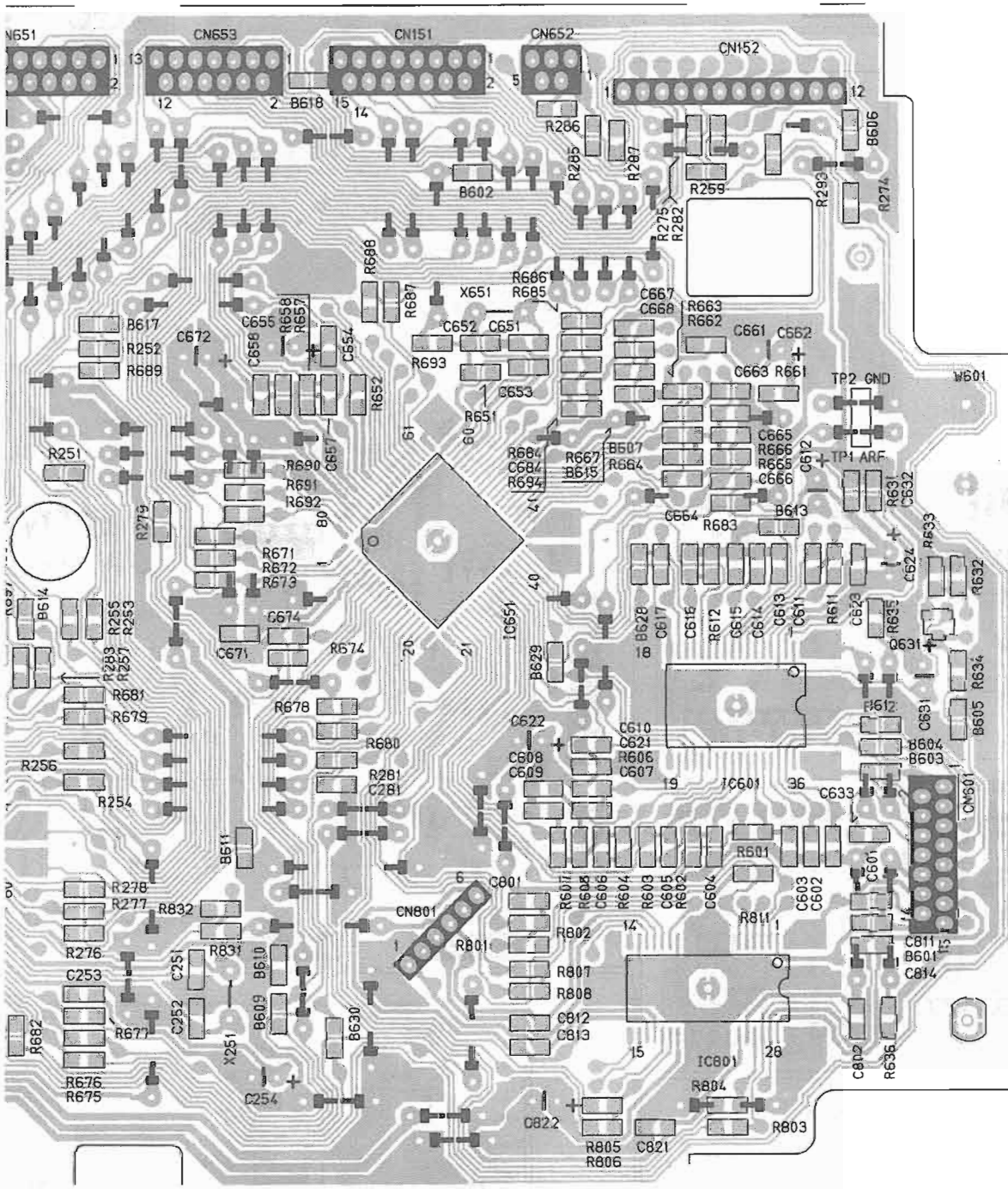


E F G H I

■ CD Servo Changer Mechanism Control Board







E

F

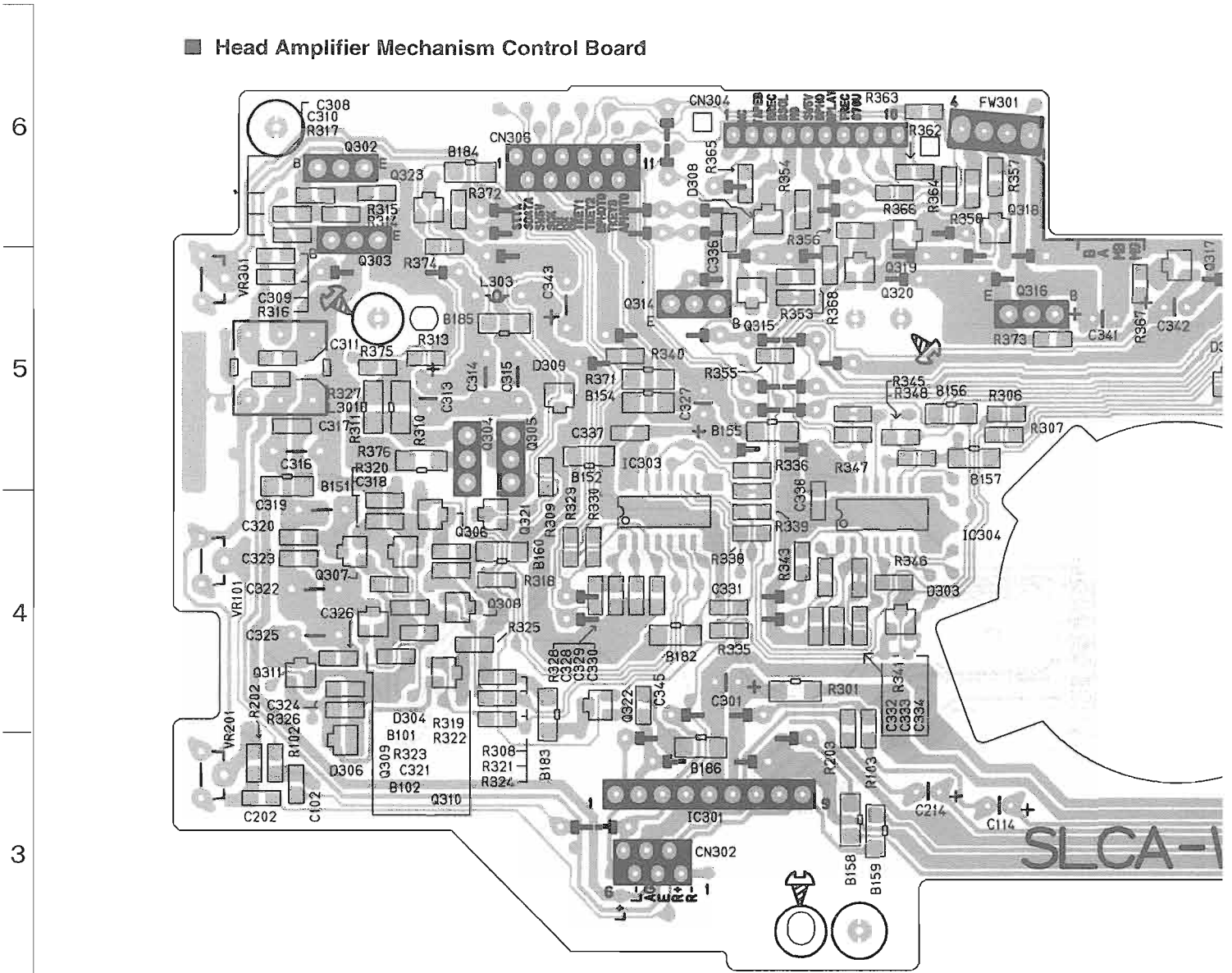
G

H

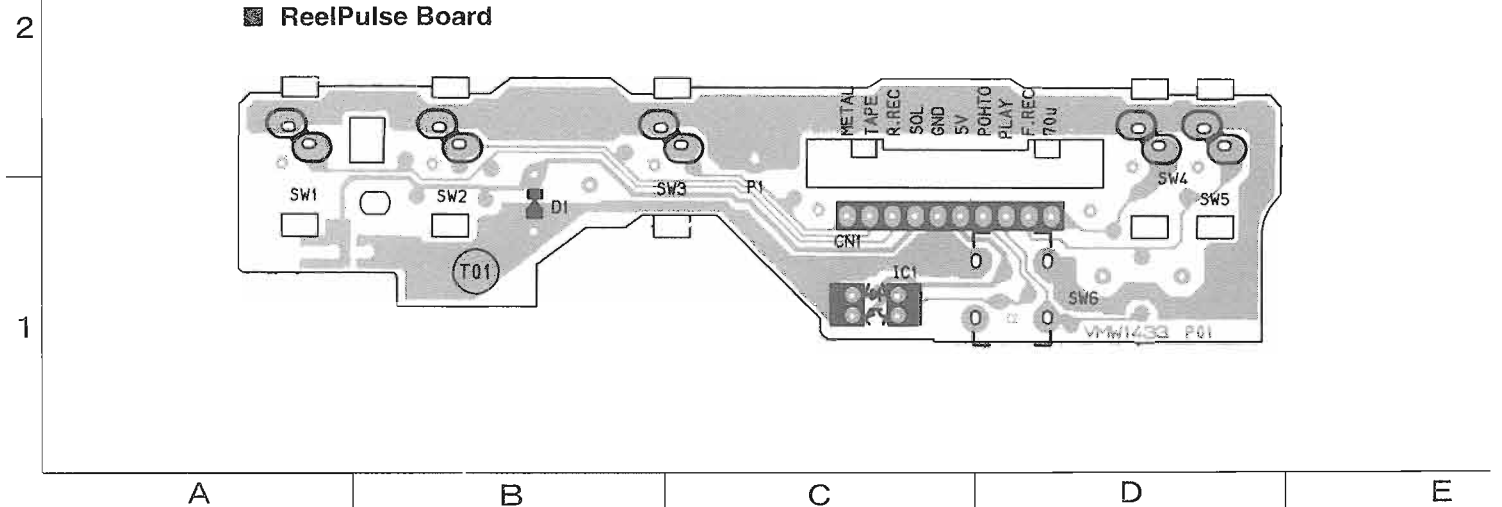
I

■ Head Amplifier Mechanism Control Board & Reelpulse Board

■ Head Amplifier Mechanism Control Board

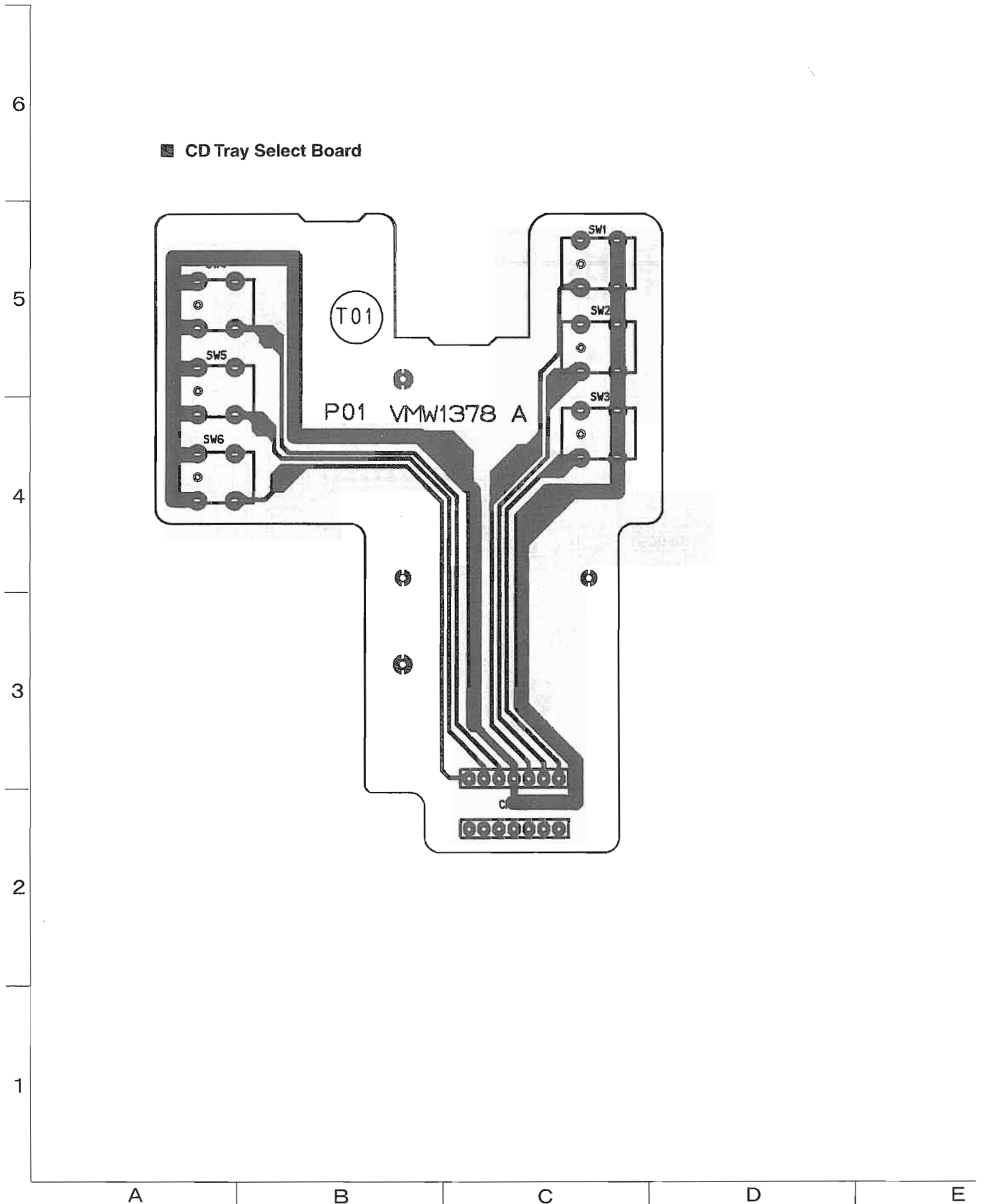


■ ReelPulse Board

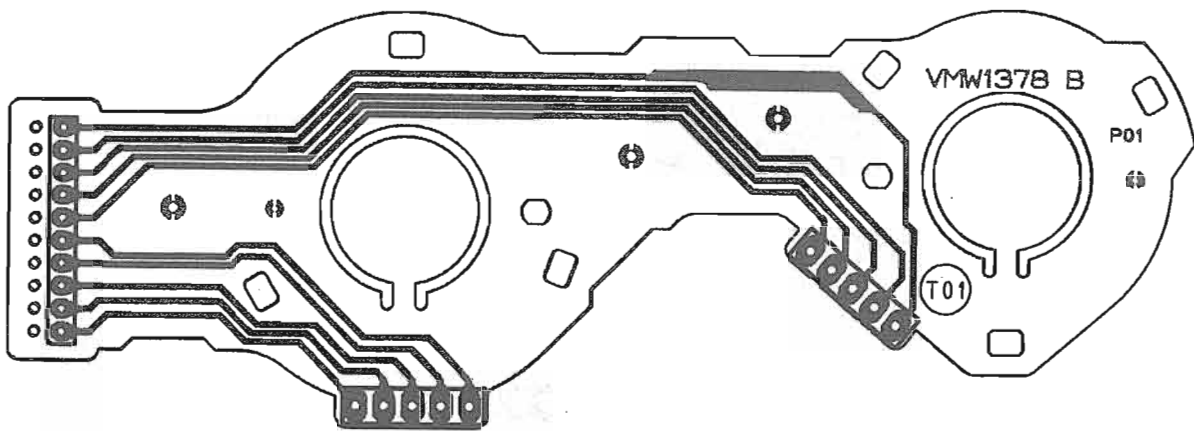




■ CDTray Select Board & Cam Switch Board



■ Cam Switch Board





# PARTS LIST

## [ CA-D702T/D752TR ]

1. Those parts can not be sent as a rule that has not printed or be displayed 「—」 on the parts list.
2. The printed circuit board will be not sent as a rule.
3. ⚠ Parts are safety assurance parts. When replacing those parts, make sure to use to specified one.
4. All printed circuit boards and its assemblies are not available as service parts.

| <b>Area Suffix</b> |                       |
|--------------------|-----------------------|
| <b>CA-D702T</b>    |                       |
| U .....            | Other Areas           |
| UT .....           | Taiwan                |
| US .....           | Singapore             |
| UB .....           | Hong Kong             |
| UP .....           | Korea                 |
| UX .....           | Saudi arabia          |
| A .....            | Austraria             |
| <b>CA-D752TR</b>   |                       |
| B .....            | U.K                   |
| E .....            | Continental<br>Europe |
| EN .....           | Northan Europe        |
| EE .....           | Eastern Europe        |

### - Contents -

|                                                            |      |
|------------------------------------------------------------|------|
| Exploded View of General Assembly and Parts List .....     | 3- 3 |
| Exploded View of CD Changer Mechanism and Parts List ..... | 3- 5 |
| Exploded View of CD Mechanism and Parts List .....         | 3- 7 |
| Exploded View Cassette Mechanism and Parts List.....       | 3- 8 |
| Electrical Parts List .....                                | 3-10 |
| Power Supply & Amplifier P.C.B. ....                       | 3-10 |
| Pre Amplifier & Tuner P.C.B. ....                          | 3-13 |
| System Micon & Operation P.C.B. ....                       | 3-18 |
| CD Servo Control P.C.B. ....                               | 3-22 |
| CD Select Switch P.C.B. ....                               | 3-23 |
| Head Amp & Mechanism Control P.C.B.....                    | 3-24 |
| Reel Pulse P.C.B. ....                                     | 3-25 |
| Reel Pulse P.C.B. ....                                     | 3-25 |
| Packing Materials and Accessories Parts List .....         | 3-26 |

CA-D702T/D752TR





# General Exploded View and Parts List

Block No. **M 1 A**

6

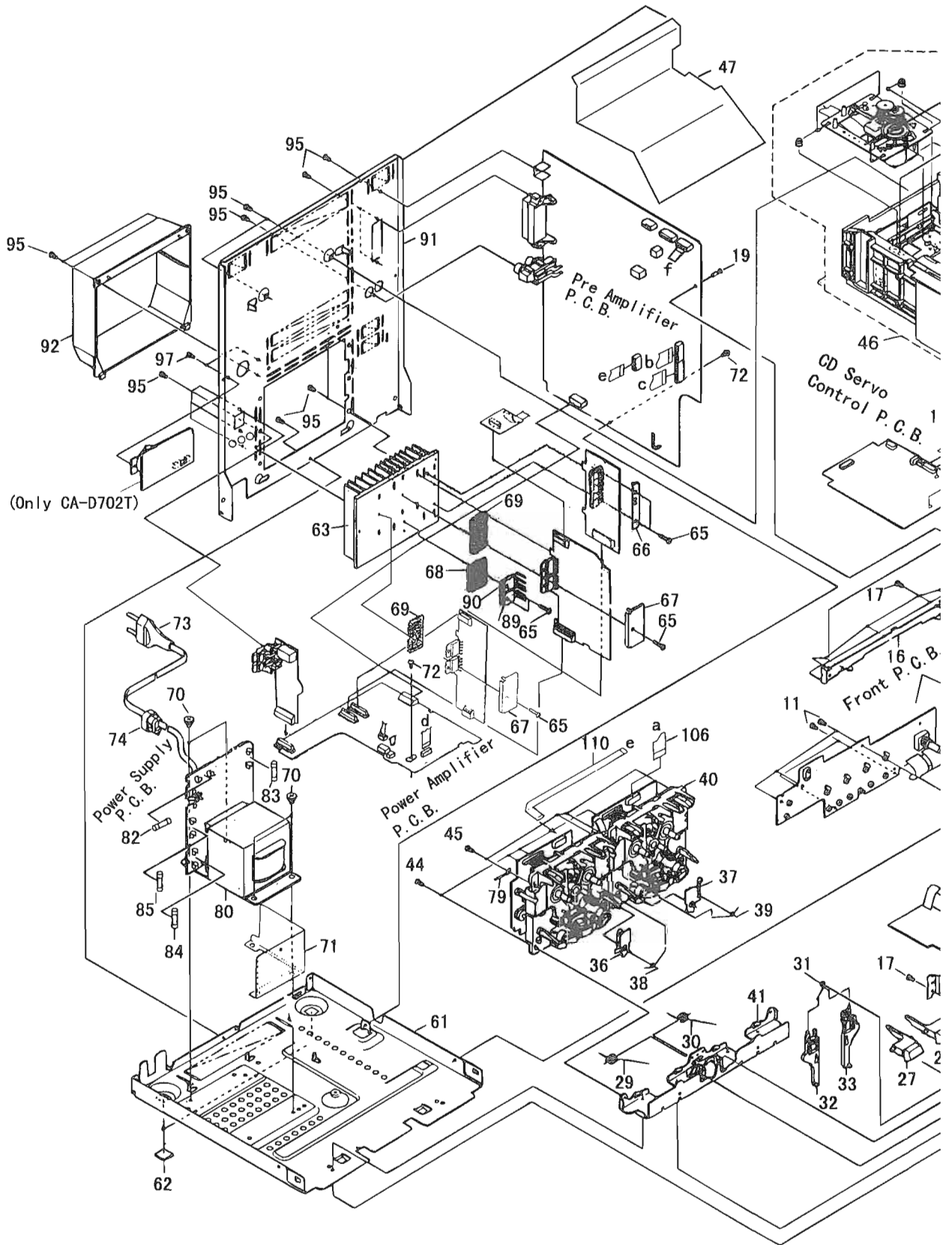
5

4

3

2

1



A

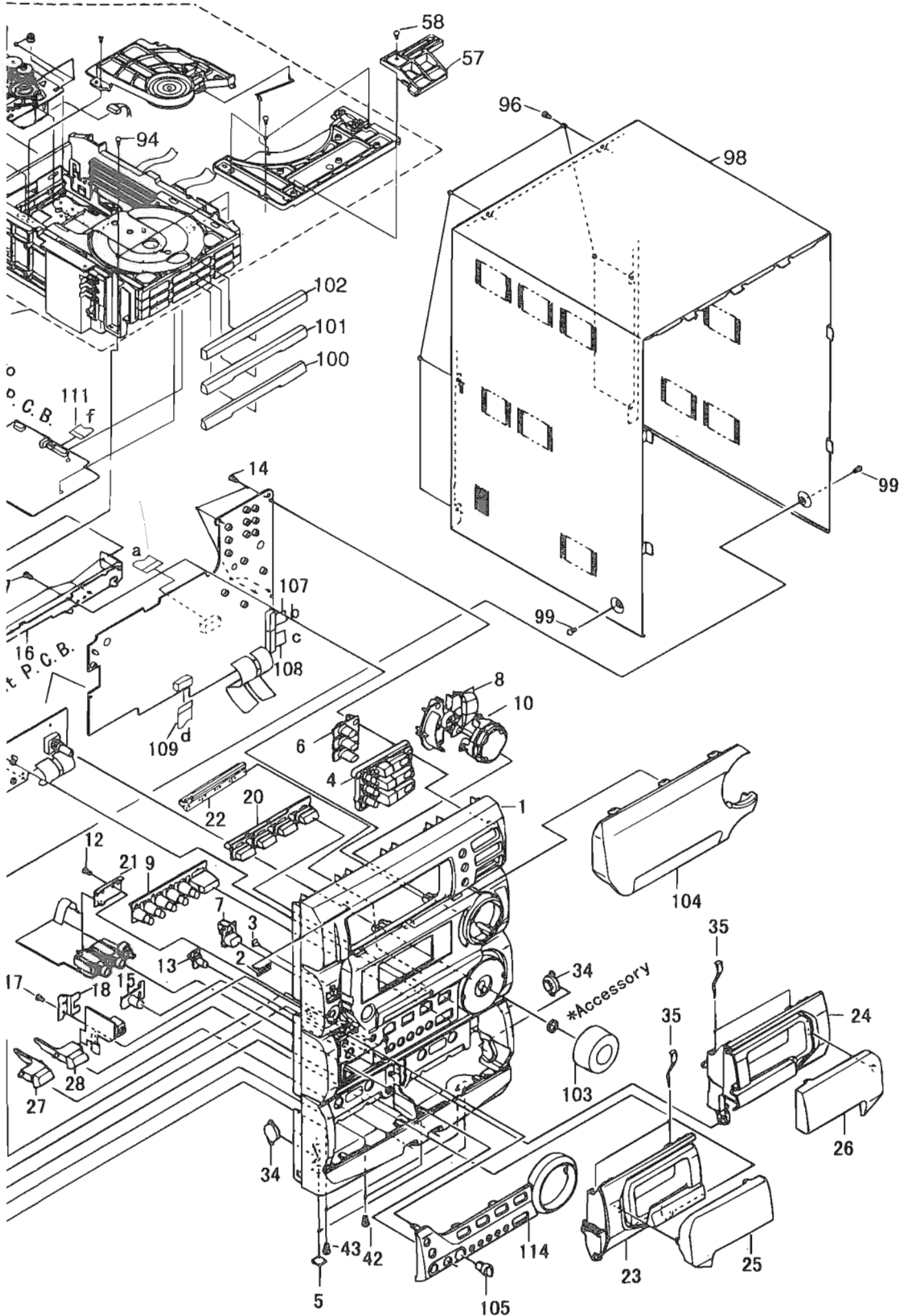
B

C

D

E

M 1 M M



E F G H I

BLOCK NO.

| REF. | PARTS NO.      | PARTS NAME      | REMARKS         | QTY | SUFFIX | CLR |
|------|----------------|-----------------|-----------------|-----|--------|-----|
| 1    | GV10001-005AKP | FRONT PANEL     |                 | 1   |        |     |
| 2    | E406971-001SM  | JVC MARK        |                 | 1   |        |     |
| 3    | GV40003-001AKP | STBY.INDICATOR  |                 | 1   |        |     |
| 4    | GV20009-002AKP | CD BUTTON       |                 | 1   |        |     |
| 5    | E75896-001     | SPACER          |                 | 2   |        |     |
| 6    | GV30008-002AKP | DISC BUTTON     | ATTACH TO CD BT | 1   |        |     |
| 7    | GV30010-004AKP | POWER BUTTON    |                 | 1   |        |     |
| 8    | GV20006-001AKP | SOUND BUTTON    |                 | 1   |        |     |
| 9    | GV30009-002BKP | CONTROL BUTTON  | CA-D752TR       | 1   |        |     |
|      | GV30009-002BKP | CONTROL BUTTON  | CA-D702T        | 1   |        |     |
| 10   | GV30018-003BKP | SEARCH BTN.ASSY |                 | 1   |        |     |
| 11   | SDSF2608Z      | SCREW           | SWITCH BOARD    | 5   |        |     |
| 12   | SDSF2608Z      | SCREW           | ONLY CA-D702T   | 1   |        |     |
| 13   | GV30016-002AKP | PUSH BUTTON     |                 | 1   |        |     |
| 14   | SDSF2608Z      | SCREW           | MICOM BOARD     | 4   |        |     |
| 15   | GV30017-002AKP | PUSH BUTTON     |                 | 1   |        |     |
| 16   | GV30003-001AKP | STAY BRACKET    |                 | 1   |        |     |
| 17   | SDSF2608Z      | SCREW           |                 | 7   |        |     |
| 18   | GV40001-001AKP | H.P BRACKET     |                 | 1   |        |     |
| 19   | FMYH4004-001   | PLASTIC RIVET   | MAIN BOARD&BKT. | 1   |        |     |
| 20   | GV30013-001AKP | SOURCE BUTTON   |                 | 1   |        |     |
| 21   | GV40004-001AKP | MIC BRACKET     |                 | 1   |        |     |
| 22   | GV30012-001AKP | RDS BUTTON      | ONLY CA-D752TR  | 1   |        |     |
| 23   | GV20001-004AKP | CASS HOLDER (L) |                 | 1   |        |     |
| 24   | GV20002-004AKP | CASS HOLDER (R) |                 | 1   |        |     |
| 25   | GV20003-001AKP | CASS LENS (L)   |                 | 1   |        |     |
| 26   | GV20004-001AKP | CASS LENS (R)   |                 | 1   |        |     |
| 27   | GV30014-005AKP | EJECT BUTTON(A) |                 | 1   |        |     |
| 28   | GV30015-005AKP | EJECT BUTTON(B) |                 | 1   |        |     |
| 29   | FMKW4009-001   | HOLDER SPRING A |                 | 1   |        |     |
| 30   | FMKW4010-001   | HOLDER SPRING B |                 | 1   |        |     |
| 31   | FMKW4011-001   | SPRING          | FOR EJECT LEVER | 1   |        |     |
| 32   | FMKS3002-002KP | EJECT LEVER(A)  |                 | 1   |        |     |
| 33   | FMKS3003-002KP | EJECT LEVER(B)  |                 | 1   |        |     |
| 34   | VYH7779-00B    | DUMPER ASS'Y    |                 | 2   |        |     |
| 35   | VKY4180-001    | CASSETTE SPRING |                 | 4   |        |     |
| 36   | FMKL4012-003   | EJECT SAFETY(A) |                 | 1   |        |     |
| 37   | FMKL4013-001   | EJECT SAFETY(B) |                 | 1   |        |     |
| 38   | FMKW4007-001   | SPRING (A)      | EJECT SAFETY A  | 1   |        |     |
| 39   | FMKW4008-001   | SPRING (B)      | EJECT SAFETY B  | 1   |        |     |
| 40   | -----          | CASSETTE MECHA  |                 | 1   |        |     |
| 41   | FMKL2002-001   | HOLDER BRACKET  |                 | 1   |        |     |
| 42   | SBSG3010Z      | T.SCREW         | F.P.TO H.BRKT.  | 2   |        |     |
| 43   | SBSG3010Z      | T.SCREW         | F.P.TO CHS.BASE | 2   |        |     |
| 44   | SBSG3010Z      | T.SCREW         | MECHA & H.BRKT. | 4   |        |     |
| 45   | SBSF3010Z      | SCREW           | MECHA & F.PANEL | 4   |        |     |
| 46   | -----          | CHENGER MECHA   |                 | 1   |        |     |
| 47   | GV30022-001A   | PROTECT SHEET   |                 | 1   |        |     |
| 57   | E309662-001    | DISC STOPPER    |                 | 1   |        |     |
| 58   | SBSF3008Z      | SCREW           | FOR DISC STOPPE | 1   |        |     |
| 61   | GV10003-001AKP | CHASSIS BASE    |                 | 1   |        |     |
| 62   | E75896-006     | FELT SPACER     | CHAS.BASE FOOT  | 2   |        |     |
| 63   | GV30006-001AKP | HEAT SINK       |                 | 1   |        |     |
| 65   | SBSG3014CC     | T.SCREW         |                 | 6   |        |     |
| 66   | E406969-002SM  | LEAF SPRING     |                 | 1   |        |     |

CA-D702T/D752TR

BLOCK NO.

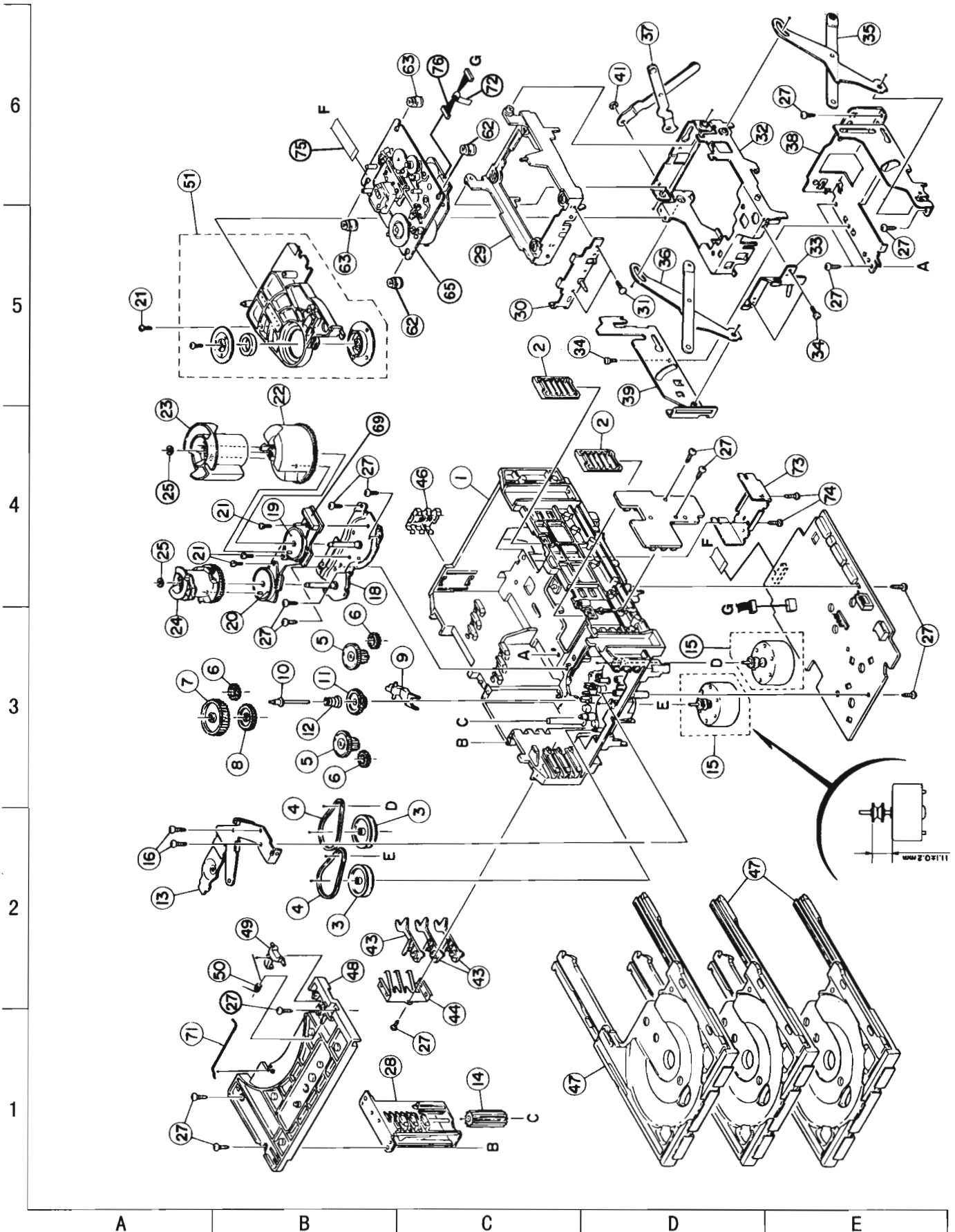
| REF. | PARTS NO.       | PARTS NAME    | REMARKS         | QTY | SUFFIX       | CLR |
|------|-----------------|---------------|-----------------|-----|--------------|-----|
| 67   | FMKL4007-001    | BRACKET       | FOR POWER IC    | 2   |              |     |
| 68   | FMPK4004-001    | MICA SHEET    |                 | 1   |              |     |
| 69   | FMPK4003-001    | MICA SHEET    |                 | 2   |              |     |
| 70   | E65389-002      | SPECIAL SCREW |                 | 4   |              |     |
| 71   | E409015-001SM   | SHIELD PLATE  |                 | 1   |              |     |
| 72   | GBSG3008CC      | T.SCREW       | M.BOARD & C.BAS | 2   |              |     |
| 73   | QMPK090-205-JN  | POWER CORD    | CA-D702T        | 1   | U,US         |     |
|      | QMPK090-205-JN  | POWER CORD    | CA-D752TR       | 1   | E,EE,EN      |     |
|      | QMP7520-200     | POWER CORD    | CA-D702T        | 1   | UT,UX        |     |
|      | QMP5530-0085BS  | POWER CORD    | CA-D702T        | 1   | UB           |     |
|      | QMPN090-200-JC  | POWER CORD    | CA-D752TR       | 1   | B            |     |
|      | QMPG020-244-JC  | POWER CORD    | CA-D702T        | 1   | A            |     |
|      | EMP7000-200     | POWER CORD    | CA-D702T        | 1   | UP           |     |
| 74   | QHS3771-108     | CORD STOPPER  |                 | 1   |              |     |
| 79   | VKZ4001-110     | WIRE HOLDER   |                 | 1   |              |     |
| 80   | QQT0157-002     | POWER TRANSF  | T001 CA-D752TR  | 1   |              |     |
|      | QQT0157-003     | POWER TRANS   | T001 CA-D702T   | 1   |              |     |
| 82   | QMF51E2-1R25    | FUSE          | F001 CA-D752TR  | 1   |              |     |
|      | QMF51E2-1R25    | FUSE          | F001 CA-D702T   | 1   | UP           |     |
|      | QMF51E2-2R5     | FUSE          | F001 CA-D702T   | 1   | A,U,UB       |     |
|      | QMF51E2-2R5     | FUSE          | F001 CA-D702T   | 1   | US,UX,UT     |     |
| 83   | QMF51E2-1R25    | FUSE          | F003 CA-D702T   | 1   |              |     |
| 84   | QMF51E2-3R15J1  | FUSE          | F101            | 1   |              |     |
| 85   | QMF51E2-3R15J1  | FUSE          | F102            | 1   |              |     |
| 89   | 2SC4467/OPY/-F1 | TRANSISTOR    | Q757            | 1   |              |     |
| 90   | 2SA1694/OPY/-F1 | TRANSISTOR    | Q758            | 1   |              |     |
| 91   | GV10004-016AKP  | REAR PANEL    | CA-D702T        | 1   | UT           |     |
|      | GV10004-017AKP  | REAR PANEL    | CA-D752TR       | 1   | B,E,EN       |     |
|      | GV10004-018AKP  | REAR PANEL    | CA-D752TR       | 1   | EE           |     |
|      | GV10004-014AKP  | REAR PANEL    | CA-D702T        | 1   | A,U,US,UX,UB |     |
|      | GV10004-015AKP  | REAR PANEL    | CA-D702T        | 1   | UP           |     |
| 92   | E207356-001SM   | REAR COVER    |                 | 1   |              |     |
| 94   | SBSG3008Z       | T.SCREW       | C3 & STAY BRKT. | 2   |              |     |
| 95   | E73273-003      | SPECIAL SCREW |                 | 15  |              |     |
| 96   | E73273-003      | SPECIAL SCREW |                 | 6   |              |     |
| 97   | E73273-003      | SPECIAL SCREW | CA-D702T        | 2   |              |     |
| 98   | GV10002-008A(S) | METAL COVER   |                 | 1   |              |     |
| 99   | SBSB3006M       | T.SCREW       |                 | 2   |              |     |
| 100  | E209153-004SMKP | CD FITTING    | DISC 1          | 1   |              |     |
| 101  | E209155-003SMKP | CD FITTING    | DISC 2          | 1   |              |     |
| 102  | E209157-004SMKP | CD FITTING    | DISC 3          | 1   |              |     |
| 103  | E310080-231SMKP | M.VOL.KNOB    |                 | 1   |              |     |
| 104  | GV20005-007AKP  | WINDOW SCREEN | CA-D752T        | 1   |              |     |
|      | GV20005-008AKP  | WINDOW SCREEN | CA-D702T        | 1   |              |     |
| 105  | E408765-005SMKP | MIC KNOB      | CA-D602T        | 1   |              |     |
| 106  | VWF1211-15TTB   | CARD WIRE     | FMB-SLC         | 1   |              |     |
| 107  | VWF1220-10TTB   | CARD WIRE     | FMB-MAIN        | 1   |              |     |
| 108  | VWF1216-10TTB   | CARD WIRE     | FMB-MAIN        | 1   |              |     |
| 109  | VWF1212-25TTB   | TAF CARD      | FMB-FMH         | 1   |              |     |
| 110  | VWF1210-20TTB   | CARD WIRE     | MAIN-SLC        | 1   |              |     |
| 111  | VWF1019-20TTA   | CARD WIRE     | MAIN-VC3        | 1   |              |     |
| 114  | GV20007-005AKP  | ORNAMENT      | CA-D752T        | 1   |              |     |
|      | GV20007-006AKP  | ORNAMENT      | CA-D702T        | 1   |              |     |



# CD Changer Mechanism and Parts List

Block No. M 2 M M

VC3-1M



## ■ Parts List

Block No. **M2MM**

| △ | Item | Parts Number    | Parts Name       | Q'ty | Description    | Area |
|---|------|-----------------|------------------|------|----------------|------|
|   | 1    | VKS1144-003     | CHASSIS BASE     | 1    |                |      |
|   | 2    | VKS3698-003     | TRAY GUIDE       | 2    |                |      |
|   | 3    | VKS5532-003     | GEAR             | 2    |                |      |
|   | 4    | VKB3000-164     | DRIVE BELT       | 2    |                |      |
|   | 5    | VKS5505-003     | GEAR             | 2    |                |      |
|   | 6    | VKS5506-002     | GEAR             | 3    |                |      |
|   | 7    | VKS5507-002     | GEAR             | 1    |                |      |
|   | 8    | VKS5508-002     | GEAR             | 1    |                |      |
|   | 9    | VKS5510-003     | SELECT LEVER     | 1    |                |      |
|   | 10   | VKH5769-001     | GEAR STUD        | 1    |                |      |
|   | 11   | VKS5511-002     | GEAR             | 1    |                |      |
|   | 12   | VKW5155-003     | COMPRESS SPRING  | 1    | SELECT GEAR    |      |
|   | 13   | VKM3846-002     | GEAR BRACKET     | 1    |                |      |
|   | 14   | VKS5509-002MM   | CYLINDER GEAR    | 1    |                |      |
|   | 15   | MSN5D257A-SA2   | DC MOTOR         | 2    |                |      |
|   | 16   | QYSPSPD2616Z    | SCREW            | 2    | DC MOTOR ASS'Y |      |
|   | 18   | VKM3825-00AMM   | GEAR BASE        | 1    |                |      |
|   | 19   | VKZ3172-00ASS   | CAM SWITCH (R)   | 1    |                |      |
|   | 20   | VKZ3173-00ASS   | CAM SWITCH (L)   | 1    |                |      |
|   | 21   | QYSPST2606Z     | SCREW            | 4    |                |      |
|   | 22   | VKS2263-002MM   | DRIVING CAM      | 1    |                |      |
|   | 23   | VKS2264-002MM   | DRIVING CAM      | 1    |                |      |
|   | 24   | VKS2265-002MM   | SUB GEAR         | 1    |                |      |
|   | 25   | WDL316050MM     | SLIT WASHER      | 2    |                |      |
|   | 27   | QYSBSF2608Z     | TAPPING SCREW    | 16   |                |      |
|   | 28   | VKS3702-00FMM   | DRIVE UNIT       | 1    |                |      |
|   | 29   | VKS2247-004     | MECHA HOLDER     | 1    |                |      |
|   | 30   | VKL7767-00B     | MECHA BRACKET    | 1    |                |      |
|   | 31   | QYSBSF2606Z     | SCREW            | 2    | BRACKET        |      |
|   | 32   | VKM3860-00A     | MECHA HOLDER     | 1    |                |      |
|   | 33   | VKL7802-00C     | MECHA HOLDER     | 1    |                |      |
|   | 34   | QYSDST2604Z     | SCREW            | 3    |                |      |
|   | 35   | VKL7810-00A     | LIFTER           | 1    |                |      |
|   | 36   | VKL7811-00A     | LIFTER           | 1    |                |      |
|   | 37   | VKL7812-00A     | LIFTER           | 1    |                |      |
|   | 38   | VKL2732-002     | LIFTER BASE      | 1    |                |      |
|   | 39   | VKM3857-001     | LIFTER BRACKET   | 1    |                |      |
|   | 41   | WDL266035-2     | SLIT WASHER      | 1    |                |      |
|   | 43   | VKS5514-002MM   | ROCK LEVER       | 3    |                |      |
|   | 44   | VKY3133-002MM   | RETURN SPRING    | 1    |                |      |
|   | 46   | VKY3134-003MM   | SPRING           | 1    |                |      |
|   | 47   | VKS2252-00E     | TRAY ASS'Y       | 3    |                |      |
|   | 48   | VKS2250-003     | TRAY BRACKET     | 1    |                |      |
|   | 49   | VKS5515-002     | TRAY STOPPER     | 1    |                |      |
|   | 50   | VKW5156-004     | TORSION SPRING   | 1    |                |      |
|   | 51   | VKS3703-00FMMKP | CLAMPER ASS'Y    | 1    |                |      |
|   | 62   | FMYH4003-002    | INSULATOR        | 2    |                |      |
|   | 63   | FMYH4003-001    | INSULATOR        | 2    |                |      |
|   | 65   | -----           | CD MECHA ASS'Y   | 1    |                |      |
|   | 69   | QGB2021L1-10    | CONNECT TERMINAL | 1    | CN805          |      |
|   | 71   | VKW5187-001     | ROD              | 1    |                |      |
|   | 72   | VYSA1R2-033     | SPACER           | 1    | EWS176-008     |      |
|   | 73   | LE30611-001A    | P. W. B. HOLDER  | 1    | CD P. W. B.    |      |
|   | 74   | QYSBSF3008Z     | SCREW            | 2    | HOLDER         |      |
|   | 75   | QUQ110-1509AJ   | FLAT WIRE        | 1    |                |      |
|   | 76   | EWS176-008      | FLAT WIRE        | 1    |                |      |

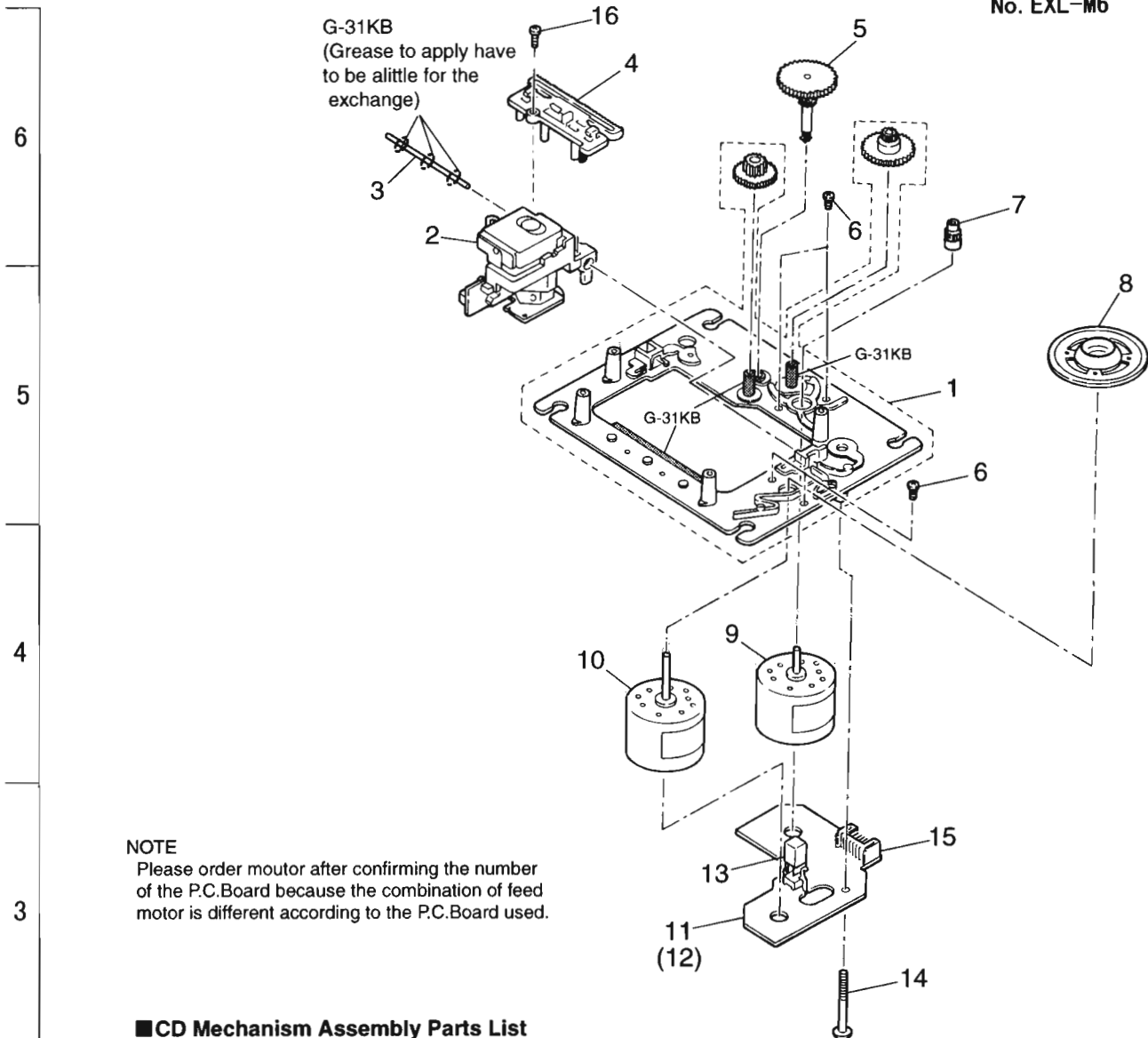


# CD Mechanism Ass'y and Parts List

## ■ Grease Point

Block No. **M3MM**

No. EXL-M6



**NOTE**  
Please order motor after confirming the number of the P.C.Board because the combination of feed motor is different according to the P.C.Board used.

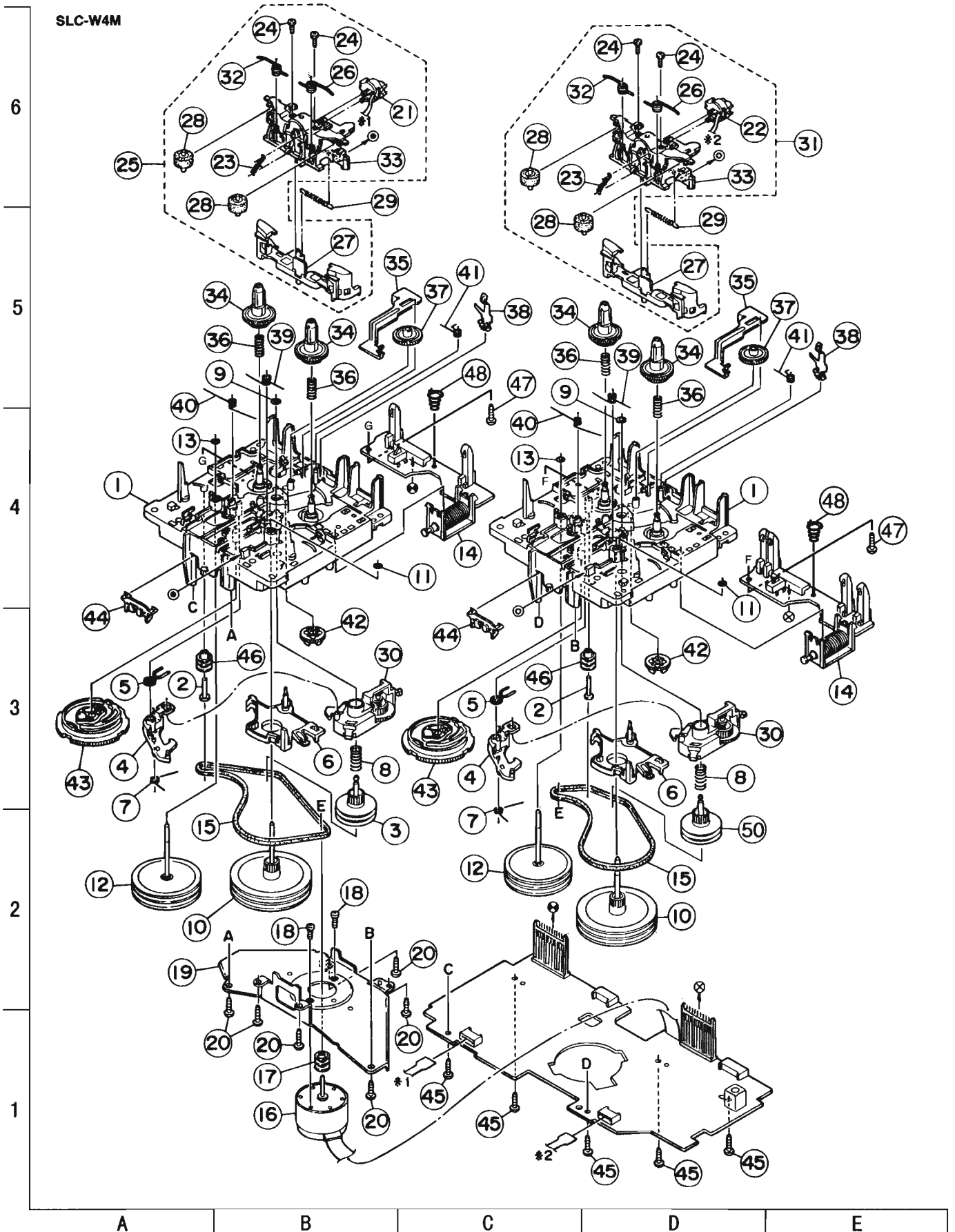
## ■ CD Mechanism Assembly Parts List

| Item | Parts Number     | Parts Name       | Q'ty | Description             | Area |
|------|------------------|------------------|------|-------------------------|------|
| 1    | EPB-002PK        | MECHA. BASE ASSY | 1    |                         |      |
| 2    | OPTIMA-150S      | OPTICAL PICK UP  | 1    |                         |      |
| 3    | E407782-001      | CD SHAFT         | 1    |                         |      |
| 4    | E307746-001      | CD RACK          | 1    |                         |      |
| 5    | EPB-003A         | MECHA GEAR       | 1    |                         |      |
| 6    | SDSP2003N        | SCREW            | 4    |                         |      |
| 7    | E406750-001      | PINION GEAR      | 1    |                         |      |
| 8    | EPB309173A       | TURN TABLE       | 1    |                         |      |
| 9    | E406784-001      | FEED MOTOR       | 1    | Use the No.11 P.C.Board |      |
|      | MDN-4RA3ETA-1    | FEED MOTOR       | 1    | Use the No.12 P.C.Board |      |
| 10   | E406783-001      | SPINDLE MOTOR    | 1    |                         |      |
| 11   | EMW10190-001 (S) | P. C. BOARD      | 1    |                         |      |
| 12   | EMW10190-221 (S) | P. C. BOARD      | 1    |                         |      |
| 13   | ESB1100-005      | LEAF SWITCH      | 1    |                         |      |
| 14   | E75832-001       | SCREW            | 1    |                         |      |
| 15   | EMV5109-006B     | CONN. TERMINAL   | 1    |                         |      |
| 16   | SDSF2006Z        | SCREW            | 1    |                         |      |

A B C D E

# Cassette Mechanism & Parts List

Block No. M 4 M M



## ■ Parts List (Cassette Mechanism Ass'y)

Block No. **M4MM**

| △ | Item | Parts Number  | Parts Name         | Q'ty | Description | Area |
|---|------|---------------|--------------------|------|-------------|------|
|   | 1    | VKS1165-00F   | CHASSIS BASE ASS'Y | 2    |             |      |
|   | 2    | VKH5786-002   | SHAFT              | 2    |             |      |
|   | 3    | VKS5603-00C   | MAIN PULLY         | 1    |             |      |
|   | 4    | VKS3785-001MM | F.F/REW ARM        | 2    |             |      |
|   | 5    | VKW5284-002   | SWING SPRING       | 2    |             |      |
|   | 6    | VKS2278-001   | TRIGGER ARM        | 2    |             |      |
|   | 7    | VKW5301-001   | SPRING             | 2    |             |      |
|   | 8    | VKW5266-001   | ELEVATOR SPRING    | 2    |             |      |
|   | 9    | WDL214025     | WASHER             | 2    |             |      |
|   | 10   | VKF3205-00B   | FLY WHEEL          | 2    |             |      |
|   | 11   | WDL183425     | WASHER             | 2    |             |      |
|   | 12   | VKF3207-00B   | FLY WHEEL          | 2    |             |      |
|   | 13   | WDL173525-6   | WASHER             | 2    |             |      |
|   | 14   | VGP2401-00A   | SOLENOID           | 2    |             |      |
|   | 15   | VKB3000-182   | CAPSTAN BELT       | 2    |             |      |
|   | 16   | MSI-5U2LWA    | DC MOTOR           | 1    |             |      |
|   | 17   | VKR4761-001   | MOTOR PULLY        | 1    |             |      |
|   | 18   | QYSPSP2604Z   | SCREW              | 2    |             |      |
|   | 19   | VKM3907-001   | JOINT BRACKET      | 1    |             |      |
|   | 20   | QYSBSF2608Z   | TAPPING SCREW      | 6    |             |      |
|   | 21   | VGH0424-037   | ERASE HEAD         | 1    |             |      |
|   | 22   | VGH0425-544   | R/P HEAD           | 1    |             |      |
|   | 23   | VKW5302-001   | HEAD SPRING        | 2    |             |      |
|   | 24   | VKZ4730-001   | SPECIAL SCREW      | 4    |             |      |
|   | 25   | VKS2279-00C   | HEAD MOUNT ASS'Y   | 1    |             |      |
|   | 26   | VKW5299-001   | P. ROLLER SPRING   | 2    |             |      |
|   | 27   | VKS2277-005   | DIRECTION LEVER    | 2    |             |      |
|   | 28   | VKP4233-00A   | PINCH ROLLER       | 4    |             |      |
|   | 29   | VKW5285-001   | RETURN SPRING      | 2    |             |      |
|   | 30   | VKS3786-00E   | CLUTCH ASS'Y       | 2    |             |      |
|   | 31   | VKS2275-00C   | HEAD MOUNT ASS'Y   | 1    |             |      |
|   | 32   | VKW5300-001   | P. ROLLER SPRING   | 2    |             |      |
|   | 33   | VKS1167-001   | HEAD MOUNT BASE    | 2    |             |      |
|   | 34   | VKS2274-002   | REEL GEAR          | 4    |             |      |
|   | 35   | VKM3906-002   | PLAY LEVER         | 2    |             |      |
|   | 36   | VKW5286-002   | BASE SPRING        | 4    |             |      |
|   | 37   | VKS5559-001   | IDLER GEAR         | 2    |             |      |
|   | 38   | VKY3149-001   | CASSETTE SPRING    | 2    |             |      |
|   | 39   | VKW5279-001   | HEAD SPRING        | 2    |             |      |
|   | 40   | VKW5280-001   | HEAD SPRING        | 2    |             |      |
|   | 41   | VKW5296-001   | SPRING             | 2    |             |      |
|   | 42   | VKS5560-001   | IDLER GEAR         | 2    |             |      |
|   | 43   | VKS1166-003   | CONTROL CAM        | 2    |             |      |
|   | 44   | VKS5577-001   | TAPE HOLDER        | 2    |             |      |
|   | 45   | QYSBSF2608Z   | TAPPING SCREW      | 5    | P. C. B.    |      |
|   | 46   | VKR4749-001KP | IDLE PULLY         | 2    |             |      |
|   | 47   | QYSBSF2006Z   | SPRING             | 2    |             |      |
|   | 48   | LV40450-001A  | SPRING             | 2    |             |      |
|   | 50   | VKS5603-00C   | MAIN PULLY         | 1    |             |      |
|   |      | VKS5603-00D   | MAIN PULLY         | 1    | #74501~     |      |

■ Electric Parts List (Power Supply & Amplifier P.C.B.)

| BLOCK NO. 01111111 |      |               |              |                 |        | BLOCK NO. 01111111 |      |               |                 |                |        |
|--------------------|------|---------------|--------------|-----------------|--------|--------------------|------|---------------|-----------------|----------------|--------|
| A                  | REF. | PARTS NO.     | PARTS NAME   | REMARKS         | SUFFIX | A                  | REF. | PARTS NO.     | PARTS NAME      | REMARKS        | SUFFIX |
|                    | C001 | QFV82AJ-104   | M.CAPA. I.M  | .10MF 5% 100V   |        |                    | C722 | QTEIV06-106Z  | E CAPACITOR     |                |        |
|                    | C002 | QFV82AJ-104   | M.CAPA. I.M  | .10MF 5% 100V   |        |                    | C726 | QET41EM-106   | E CAPACITOR     | 1.0MF 20% 25V  |        |
|                    | C003 | QFV82AJ-104   | M.CAPA. I.M  | .10MF 5% 100V   |        |                    | C729 | QET41CM-476   | E CAPACITOR     | 4.7MF 20% 16V  |        |
|                    | C004 | QEZ0360-568   | E.CAPA.      | 5600MF          |        |                    | C739 | QFLC1HJ-103ZM | M CAPACITOR     | .010MF 5% 50V  |        |
|                    | C005 | QEZ0360-568   | E.CAPA.      | 5600MF          |        |                    | C751 | QCY31HK-272Z  | C.CAPA. I.M     | 2700PF 10% 50V |        |
|                    | C011 | QFV41HJ-104ZM | TF CAPACITOR | .10MF 5% 50V    |        |                    | C752 | QCY31HK-272Z  | C.CAPA. I.M     | 2700PF 10% 50V |        |
|                    | C012 | QFV41HJ-104ZM | TF CAPACITOR | .10MF 5% 50V    |        |                    | C753 | QCY31HK-472Z  | C.CAPA. I.M     | 4700PF 10% 50V |        |
|                    | C013 | QFV41HJ-104ZM | TF CAPACITOR | .10MF 5% 50V    |        |                    | C754 | QCY31HK-472Z  | C.CAPA. I.M     | 4700PF 10% 50V |        |
|                    | C014 | QETM1VM-338   | E CAPACITOR  | 3300MF 20% 35V  |        |                    | C755 | QFV41HJ-105   | TF.CAPA. I.M XX | 1.0MF 5% 50V   |        |
|                    | C015 | QETM1VM-338   | E CAPACITOR  | 3300MF 20% 35V  |        |                    | C756 | QFV41HJ-105   | TF.CAPA. I.M XX | 1.0MF 5% 50V   |        |
|                    | C016 | QET41VM-107   | E CAPACITOR  | 100MF 20% 35V   |        |                    | C757 | QCXB1CM-152Y  | C CAPACITOR     | 1500PF 20% 16V |        |
|                    | C017 | QETM1JM-476Z  | E CAPACITOR  | 47MF 20% 63V    |        |                    | C758 | QCXB1CM-152Y  | C CAPACITOR     | 1500PF 20% 16V |        |
|                    | C018 | QET41HM-226   | E CAPACITOR  | 22MF 20% 50V    |        |                    | C781 | QETM1HM-225Z  | E CAPACITOR     | 2.2MF 20% 50V  |        |
|                    | C019 | QCVB1CN-103Y  | C CAPACITOR  | .010MF 30% 16V  |        |                    | C782 | QETM1HM-225Z  | E CAPACITOR     | 2.2MF 20% 50V  |        |
|                    | C020 | QET41HM-226   | E CAPACITOR  | 22MF 20% 50V    |        |                    | C783 | QCBB1HK-101Y  | C CAPACITOR     | 100PF 10% 50V  |        |
|                    | C021 | QET41HM-475   | E CAPACITOR  | 4.7MF 20% 50V   |        |                    | C784 | QCBB1HK-101Y  | C CAPACITOR     | 100PF 10% 50V  |        |
|                    | C022 | QET41HM-475   | E CAPACITOR  | 4.7MF 20% 50V   |        |                    | C785 | QCBB1HK-181Y  | C CAPACITOR     | 180PF 10% 50V  |        |
|                    | C023 | QET41HM-225   | E CAPACITOR  | .47MF 20% 50V   |        |                    | C786 | QCBB1HK-181Y  | C CAPACITOR     | 180PF 10% 50V  |        |
|                    | C024 | QET41HM-105   | E CAPACITOR  | 1.0MF 20% 50V   |        |                    | C787 | QET41EM-476   | E CAPACITOR     | 4.7MF 20% 25V  |        |
|                    | C025 | QET41HM-105   | E CAPACITOR  | 1.0MF 20% 50V   |        |                    | C788 | QET41EM-476   | E CAPACITOR     | 4.7MF 20% 25V  |        |
|                    | C030 | QETN1EM-226Z  | E CAPACITOR  | 22MF 20% 25V    |        |                    | C789 | QCS11HJ-100   | C CAPACITOR     | 10PF 5% 50V    |        |
|                    | C031 | QCVB1CN-103Y  | C CAPACITOR  | .010MF 30% 16V  |        |                    | C790 | QCS11HJ-100   | C CAPACITOR     | 10PF 5% 50V    |        |
|                    | C032 | QETN1EM-226Z  | E CAPACITOR  | 22MF 20% 25V    |        |                    | C791 | QET41HM-226   | E CAPACITOR     | 22MF 20% 50V   |        |
|                    | C033 | QFV41HJ-224   | CAPACITOR    | CA-D702T        |        |                    | C792 | QET41HM-226   | E CAPACITOR     | 22MF 20% 50V   |        |
|                    | C033 | QFV41HJ-224   | CAPACITOR    | CA-D752TR       |        |                    | C793 | QFV41HJ-104ZM | TF CAPACITOR    | .10MF 5% 50V   |        |
|                    | C038 | QFLC1HJ-223ZM | M CAPACITOR  | CA-D752TR       |        |                    | C794 | QFV41HJ-104ZM | TF CAPACITOR    | .10MF 5% 50V   |        |
|                    | C039 | QFLC1HJ-223ZM | M CAPACITOR  | CA-D752TR       |        |                    | C795 | QFV41HJ-104ZM | TF CAPACITOR    | .10MF 5% 50V   |        |
|                    | C045 | QET41EM-476   | E CAPACITOR  | 4.7MF 20% 25V   |        |                    | C796 | QFV41HJ-104ZM | TF CAPACITOR    | .10MF 5% 50V   |        |
|                    | C060 | QETN1EM-226Z  | E CAPACITOR  | 22MF 20% 25V    |        |                    | D001 | 1N5402M-20    | DIODE           | HIGH           |        |
|                    | C061 | QCF11HP-103   | C CAPACITOR  | .010MF +80:-20% |        |                    | D002 | 1N5402M-20    | DIODE           | HIGH           |        |
|                    | C062 | QETN1EM-226Z  | E CAPACITOR  | 22MF 20% 25V    |        |                    | D003 | 1N5402M-20    | DIODE           | HIGH           |        |
|                    | C066 | QETN1EM-226Z  | E CAPACITOR  | 22MF 20% 25V    |        |                    | D004 | 1N5402M-20    | DIODE           | HIGH           |        |
|                    | C067 | QCF11HP-103   | C CAPACITOR  | .010MF +80:-20% |        |                    | D011 | 30DF2FC       | DIODE           | LOW            |        |
|                    | C068 | QETN1EM-226Z  | E CAPACITOR  | 22MF 20% 25V    |        |                    | D012 | 30DF2FC       | DIODE           | LOW            |        |
|                    | C069 | QETN1EM-226Z  | E CAPACITOR  | 22MF 20% 25V    |        |                    | D013 | 30DF2FC       | DIODE           | LOW            |        |
|                    | C070 | QCF11HP-103   | C CAPACITOR  | .010MF +80:-20% |        |                    | D014 | 30DF2FC       | DIODE           | LOW            |        |
|                    | C071 | QETN1EM-226Z  | E CAPACITOR  | 22MF 20% 25V    |        |                    | D015 | 30DF2FC       | DIODE           | CHANGE         |        |
|                    | C072 | QETN1EM-226Z  | E CAPACITOR  | 22MF 20% 25V    |        |                    | D016 | 30DF2FC       | DIODE           | CHANGE         |        |
|                    | C073 | QCF11HP-103   | C CAPACITOR  | .010MF +80:-20% |        |                    | D017 | 1SR35-100     | SI DIODE        |                |        |
|                    | C074 | QETN1EM-226Z  | E CAPACITOR  | 22MF 20% 25V    |        |                    | D018 | 1SR35-100     | SI DIODE        |                |        |
|                    | C703 | QCBB1HK-101Y  | C CAPACITOR  | 100PF 10% 50V   |        |                    | D019 | MTZ30JC       | ZENER DIODE     |                |        |
|                    | C704 | QCBB1HK-101Y  | C CAPACITOR  | 100PF 10% 50V   |        |                    | D020 | UZ6.2B5A      | Z.DIODE 1DM     |                |        |
|                    | C705 | QCBB1HK-181Y  | C CAPACITOR  | 180PF 10% 50V   |        |                    | D021 | MTZ5.1B       | ZENER DIODE     |                |        |
|                    | C706 | QCBB1HK-181Y  | C CAPACITOR  | 180PF 10% 50V   |        |                    | D022 | 1SS133-12     | DIODE           |                |        |
|                    | C707 | QET41EM-476   | E CAPACITOR  | 4.7MF 20% 25V   |        |                    | D023 | 1SS133-12     | DIODE           |                |        |
|                    | C708 | QET41EM-476   | E CAPACITOR  | 4.7MF 20% 25V   |        |                    | D024 | 1SS133-12     | DIODE           |                |        |
|                    | C709 | QCS11HJ-100   | C CAPACITOR  | 10PF 5% 50V     |        |                    | D025 | 1SS133-12     | DIODE           |                |        |
|                    | C710 | QCS11HJ-100   | C CAPACITOR  | 10PF 5% 50V     |        |                    | D027 | 1SR35-100     | SI DIODE        |                |        |
|                    | C711 | QET41HM-226   | E CAPACITOR  | 22MF 20% 50V    |        |                    | D030 | MTZ11JA       | Z.DIODE I.M     |                |        |
|                    | C712 | QET41HM-226   | E CAPACITOR  | 22MF 20% 50V    |        |                    | D060 | MTZ5.1B       | ZENER DIODE     |                |        |
|                    | C713 | QFV41HJ-104ZM | TF CAPACITOR | .10MF 5% 50V    |        |                    | D061 | MTZ11JC       | Z.DIODE I.M     |                |        |
|                    | C714 | QFV41HJ-104ZM | TF CAPACITOR | .10MF 5% 50V    |        |                    | D062 | MTZ6.8JC      | ZENER DIODE     |                |        |
|                    | C715 | QFV41HJ-104ZM | TF CAPACITOR | .10MF 5% 50V    |        |                    | D065 | MTZ8.2JC      | ZENER DIODE     |                |        |
|                    | C716 | QFV41HJ-104ZM | TF CAPACITOR | .10MF 5% 50V    |        |                    | D066 | MTZ13JC       | ZENER DIODE     |                |        |
|                    | C721 | QTEIV06-106Z  | E.CAPA. I.M  |                 |        |                    | D067 | MTZ13JC       | ZENER DIODE     |                |        |

BLOCK NO. 01111111

| REF. | PARTS NO.      | PARTS NAME    | REMARKS    | SUFFIX |
|------|----------------|---------------|------------|--------|
| A048 | MTZ13JC        | ZENER DIODE   |            |        |
| 0069 | MTZ13JC        | ZENER DIODE   | SHORT TEST |        |
| 0070 | MTZ13JC        | ZENER DIODE   |            |        |
| 0703 | 1S5133-T2      | DIODE         |            |        |
| 0704 | 1S5133-T2      | DIODE         |            |        |
| 0719 | 1S5133-T2      | DIODE         |            |        |
| 0720 | 1S5133-T2      | DIODE         |            |        |
| 0728 | 1S5133-T2      | DIODE         |            |        |
| 0751 | 1S5133-T2      | DIODE         |            |        |
| 0752 | 1S5133-T2      | DIODE         |            |        |
| 0753 | 1S5133-T2      | DIODE         |            |        |
| 0754 | 1S5133-T2      | DIODE         |            |        |
| 0755 | 1S5133-T2      | DIODE         |            |        |
| 0756 | 1S5133-T2      | DIODE         |            |        |
| 0757 | MTZ3-9J8       | Z DIODE       |            |        |
| 0758 | MTZ3-9J8       | Z DIODE       |            |        |
| 0759 | 1S5133-T2      | DIODE         |            |        |
| 0760 | 1S5133-T2      | DIODE         |            |        |
| 0789 | 1S5133-T2      | DIODE         |            |        |
| 0790 | 1S5133-T2      | DIODE         |            |        |
| L001 | VQZ0048-009    | INDUCTOR      | CA-D752TR  | B,E,EN |
| L701 | EQL0011-R45J1  | INDUCTOR      |            |        |
| L702 | EQL0011-R45J1  | INDUCTOR      |            |        |
| L781 | EQL0011-R45J1  | INDUCTOR      |            |        |
| L782 | EQL0011-R45J1  | INDUCTOR      |            |        |
| 0001 | 2SB1187(F,G)   | TRANSISTOR X* |            |        |
| 0003 | DTC114YSA-T    | D.TR.I.M      |            |        |
| 0004 | DTC114YSA-T    | D.TR.I.M      |            |        |
| 0005 | DTC114YS       | TR. I.M       |            |        |
| 0030 | 2SD2061/EF/    | TR.           |            |        |
| 0040 | 2SC945A        | TRANSISTOR    |            |        |
| 0041 | 2SC945A        | TRANSISTOR    |            |        |
| 0060 | 2SD2061/EF/    | TR.           |            |        |
| 0061 | 2SC945A        | TRANSISTOR    |            |        |
| 0062 | 2SC945A        | TRANSISTOR    |            |        |
| 0065 | 2SD2061/EF/    | TR.           |            |        |
| 0066 | 2SD2061/EF/    | TR.           |            |        |
| 0067 | 2SA933S(RS)    | TR.I.M        |            |        |
| 0068 | 2SC945A        | TRANSISTOR    |            |        |
| 0069 | 2SD2061/EF/    | TR.           |            |        |
| 0070 | 2SC945A        | TRANSISTOR    |            |        |
| 0071 | 2SB1187(F,G)   | TRANSISTOR X* |            |        |
| 0072 | 2SA933S(RS)    | TR.I.M        |            |        |
| 0073 | KRA104M-T      | D.TR.I.M      |            |        |
| 0074 | DTC144ESA-T    | D.TR.I.M      |            |        |
| 0075 | KRC104M-T      | D.TR.I.M      |            |        |
| 0076 | DTA144ES       | D.TRANSISTOR  |            |        |
| 0701 | 2SA1038(R,S)   | TR.I.M        |            |        |
| 0702 | 2SA1038(R,S)   | TR.I.M        |            |        |
| 0726 | 2SC2389S/SE/-T | TR.I.M        |            |        |
| 0727 | 2SA1038(R,S)   | TR.I.M        |            |        |
| 0728 | 2SC1740S/RS/-T | TRANSISTOR    |            |        |
| 0733 | 2SD2144S(VW)   | TRANSISTOR    |            |        |
| 0734 | 2SD2144S(VW)   | TRANSISTOR    |            |        |
| 0735 | 2SD2144S(VW)   | TRANSISTOR    |            |        |

BLOCK NO. 01111111

| REF.  | PARTS NO.     | PARTS NAME    | REMARKS      | SUFFIX |
|-------|---------------|---------------|--------------|--------|
| A0736 | 2SD2144S(VW)  | TRANSISTOR    |              |        |
| 0737  | KRA111M-T     | D.TR.I.M      |              |        |
| 0751  | 2SC1685       | TR.I.M        |              |        |
| 0752  | 2SA933S(RS)   | TR.I.M        |              |        |
| 0753  | 2SC1685       | TR.I.M        |              |        |
| 0754  | 2SA933S(RS)   | TR.I.M        |              |        |
| 0755  | 2SA965(Y)     | TR.I.M        |              |        |
| 0756  | 2SC2235(O,Y)  | TR.I.M        |              |        |
| 0781  | 2SA1038(R,S)  | TR.I.M        |              |        |
| 0782  | 2SA1038(R,S)  | TR.I.M        |              |        |
| R003  | QRD161J-332   | C RESISTOR    | 3-3K 5% 1/4W |        |
| R004  | QRD161J-223   | C RESISTOR    | 22K 5% 1/4W  |        |
| R005  | QRD161J-104   | C RESISTOR    | 100K 5% 1/4W |        |
| R006  | QRZ0077-4R7X  | C RESISTOR    | 4.7 1/0W     |        |
| R007  | QRZ0077-4R7X  | F RESISTOR    | 4.7 1/0W     |        |
| R008  | QRD161J-103   | C RESISTOR    | 10K 5% 1/4W  |        |
| R009  | QRD161J-103   | C RESISTOR    | 10K 5% 1/4W  |        |
| R010  | QRD161J-472   | C RESISTOR    | 4.7K 5% 1/4W |        |
| R011  | QRD161J-472   | C RESISTOR    | 4.7K 5% 1/4W |        |
| R012  | QRD161J-683   | C RESISTOR    | 100K 5% 1/4W |        |
| R013  | QRD161J-103   | C RESISTOR    | 10K 5% 1/4W  |        |
| R030  | QRD14CJ-4R7SX | C RESISTOR    | 4.7 5% 1/4W  |        |
| R031  | QRD161J-681   | C RESISTOR    | 680 5% 1/4W  |        |
| R038  | QRD14CJ-4R7SX | C RESISTOR    | CA-D752TR    |        |
| R039  | QRD14CJ-4R7SX | C RESISTOR    | CA-D752TR    |        |
| R040  | QRK126J-271X  | C RESISTOR    | CA-D702T     |        |
| R040  | QRD12CJ-331SX | C RESISTOR    | CA-D752TR    |        |
| R041  | QRD12CJ-331SX | C RESISTOR    | 330 5% 1/2W  |        |
| R042  | QRD161J-222   | C RESISTOR    | 2.2K 5% 1/4W |        |
| R043  | QRK126J-271X  | C RESISTOR    | CA-D702T     |        |
| R043  | QRD12CJ-331SX | C RESISTOR    | CA-D752TR    |        |
| R044  | QRD12CJ-331SX | C RESISTOR    | 330 5% 1/2W  |        |
| R045  | QRD161J-222   | C RESISTOR    | 2.2K 5% 1/4W |        |
| R046  | QRD161J-222   | C RESISTOR    | 2.2K 5% 1/4W |        |
| R047  | QRD161J-222   | C RESISTOR    | 2.2K 5% 1/4W |        |
| R062  | QRD161J-331   | C RESISTOR    | 330 5% 1/4W  |        |
| R063  | QRD161J-331   | C RESISTOR    | 330 5% 1/4W  |        |
| R064  | QRD161J-122   | C RESISTOR    | 1.2K 5% 1/4W |        |
| R065  | QRD161J-561   | C RESISTOR    | 560 5% 1/4W  |        |
| R066  | QRD161J-561   | C RESISTOR    | 560 5% 1/4W  |        |
| R067  | QRD161J-122   | C RESISTOR    | 1.2K 5% 1/4W |        |
| R068  | QRD161J-331   | C RESISTOR    | 330 5% 1/4W  |        |
| R071  | QRD167J-4R7   | C RESISTOR    | 4.7 5% 1/4W  |        |
| R072  | QRD167J-4R7   | C RESISTOR    | 4.7 5% 1/4W  |        |
| R074  | QRZ9021-220   | FUSI.RESISTOR | 22 1/0W      |        |
| R075  | QRZ9021-220   | FUSI.RESISTOR | 22 1/0W      |        |
| R076  | QRD161J-221   | C RESISTOR    | 220 5% 1/4W  |        |
| R077  | QRD161J-681   | C RESISTOR    | 680 5% 1/4W  |        |
| R078  | QRD161J-182   | C RESISTOR    | 1.8K 5% 1/4W |        |
| R081  | QRD161J-272   | C RESISTOR    | 2.7K 5% 1/4W |        |
| R082  | QRD167J-562   | C RESISTOR    | 5.6K 5% 1/4W |        |
| R083  | QRG010J-150X  | OMF RESISTOR  | 15 5% 1/1W   |        |
| R084  | QRD161J-272   | C RESISTOR    | 2.7K 5% 1/4W |        |
| R085  | QRD167J-562   | C RESISTOR    | 5.6K 5% 1/4W |        |
| R086  | QRD161J-103   | C RESISTOR    | 10K 5% 1/4W  |        |

BLOCK NO. 04111111

| REF.  | PARTS NO.     | PARTS NAME     | REMARKS         | SUFFIX |
|-------|---------------|----------------|-----------------|--------|
| R750  | GRD161J-471   | C RESISTOR     | 470 5% 1/4W     |        |
| R751  | GRD161J-223   | C RESISTOR     | 22K 5% 1/4W     |        |
| R752  | GRD161J-223   | C RESISTOR     | 22K 5% 1/4W     |        |
| R753  | GRD161J-222   | C RESISTOR     | 2.2K 5% 1/4W    |        |
| R754  | GRD161J-222   | C RESISTOR     | 2.2K 5% 1/4W    |        |
| R755  | GRD161J-221   | C RESISTOR     | 220 5% 1/4W     |        |
| R756  | GRD161J-221   | C RESISTOR     | 220 5% 1/4W     |        |
| R757  | GRD161J-223   | C RESISTOR     | 22K 5% 1/4W     |        |
| R758  | GRD161J-223   | C RESISTOR     | 22K 5% 1/4W     |        |
| R759  | GRD167J-682   | C RESISTOR     | 6.8K 5% 1/4W    |        |
| R760  | GRD167J-682   | C RESISTOR     | 6.8K 5% 1/4W    |        |
| R761  | GRD161J-222   | C RESISTOR     | 2.2K 5% 1/4W    |        |
| R762  | GRD161J-222   | C RESISTOR     | 2.2K 5% 1/4W    |        |
| R763  | GRD161J-223   | C RESISTOR     | 22K 5% 1/4W     |        |
| R764  | GRD161J-223   | C RESISTOR     | 22K 5% 1/4W     |        |
| R765  | GRG010J-182X  | OMF RESISTOR   | 1.8K 5% 1/1W    |        |
| R766  | GRG010J-182X  | OMF RESISTOR   | 1.8K 5% 1/1W    |        |
| R767  | GRD14CJ-681SX | UNF.C.RES.I.M  | 680 5% 1/4W     |        |
| R768  | GRD14CJ-681SX | UNF.C.RES.I.M  | 680 5% 1/4W     |        |
| R769  | GRD14CJ-821SX | C RESISTOR     | 820 5% 1/4W     |        |
| R770  | GRD14CJ-821SX | C RESISTOR     | 820 5% 1/4W     |        |
| R771  | GRD161J-821   | C RESISTOR     | 820 5% 1/4W     |        |
| R772  | GRD161J-821   | C RESISTOR     | 820 5% 1/4W     |        |
| R773  | GRD14CJ-101SX | UF RESISTOR    | 100 5% 1/4W     |        |
| R774  | GRD14CJ-101SX | UF RESISTOR    | 100 5% 1/4W     |        |
| R775  | GRD161J-471   | C RESISTOR     | 470 5% 1/4W     |        |
| R776  | GRD161J-471   | C RESISTOR     | 470 5% 1/4W     |        |
| R777  | GRD14CJ-4R7SX | C RESISTOR     | 4.7 5% 1/4W     |        |
| R778  | GRD14CJ-4R7SX | C RESISTOR     | 4.7 5% 1/4W     |        |
| R779  | GRD161J-222   | C RESISTOR     | 2.2K 5% 1/4W    |        |
| R780  | GRD161J-222   | C RESISTOR     | 2.2K 5% 1/4W    |        |
| R781  | GRD14CJ-100SX | UNF.C.RES.I.M  | 10 5% 1/4W      |        |
| R782  | GRD14CJ-100SX | UNF.C.RES.I.M  | 10 5% 1/4W      |        |
| R783  | GRD161J-563   | C RESISTOR     | 56K 5% 1/4W     |        |
| R784  | GRD161J-563   | C RESISTOR     | 56K 5% 1/4W     |        |
| R785  | GRD14CJ-182SX | UNF.C.RES.I.M  | 1.8K 5% 1/4W    |        |
| R786  | GRD14CJ-182SX | UNF.C.RES.I.M  | 1.8K 5% 1/4W    |        |
| R787  | GRD161J-563   | C RESISTOR     | 56K 5% 1/4W     |        |
| R788  | GRD161J-563   | C RESISTOR     | 56K 5% 1/4W     |        |
| R789  | GRX014J-R22   | UNF.MF.RES.I.M | 5% 1/1W         |        |
| R790  | GRX014J-R22   | UNF.MF.RES.I.M | 5% 1/1W         |        |
| R791  | GRX014J-R22   | UNF.MF.RES.I.M | 5% 1/1W         |        |
| R792  | GRX014J-R22   | UNF.MF.RES.I.M | 5% 1/1W         |        |
| R793  | GRD14CJ-100SX | UNF.C.RES.I.M  | 10 5% 1/4W      |        |
| R794  | GRD14CJ-100SX | UNF.C.RES.I.M  | 10 5% 1/4W      |        |
| R795  | GRD14CJ-100SX | UNF.C.RES.I.M  | 10 5% 1/4W      |        |
| R796  | GRD14CJ-122   | C RESISTOR     | 1.2K 5% 1/4W    |        |
| R797  | GRD161J-122   | C RESISTOR     | 1.2K 5% 1/4W    |        |
| R798  | GRD161J-122   | C RESISTOR     | 1.2K 5% 1/4W    |        |
| S001  | GSW0524-001   | VOLTAGE SW     | CA-D702T        |        |
| CN002 | EMV7163-011   | CONNECTOR      | TO FMH-014-3 RE |        |
| CN003 | EMV7163-011   | CONNECTOR      | TO FMH-014-4 FR |        |
| CN004 | EMV7163-005   | CONNECTOR      | TO FMH-014-5 R/ |        |
| CN005 | EMV7163-011   | CONNECTOR      | TO SPK BOARD    |        |
| CN006 | EMV5163-010R  | CONNECTOR      | TO FMC (MAIN)   |        |

BLOCK NO. 04111111

| REF. | PARTS NO.     | PARTS NAME      | REMARKS      | SUFFIX |
|------|---------------|-----------------|--------------|--------|
| R087 | GRD161J-103   | C RESISTOR      | 10K 5% 1/4W  |        |
| R090 | GRD161J-102   | C RESISTOR      | FMB REQUEST  |        |
| R091 | GRD161J-102   | C RESISTOR      | FMB REQUEST  |        |
| R092 | GRD161J-102   | C RESISTOR      | FMB REQUEST  |        |
| R093 | GRD161J-102   | C RESISTOR      | FMB REQUEST  |        |
| R094 | GRD161J-103   | C RESISTOR      | 10K 5% 1/4W  |        |
| R100 | GRD161J-104   | C RESISTOR      | CA-D702T     |        |
| R102 | GRD161J-103   | BUS WIRE I/M    | CA-D702T     |        |
| R701 | GRD14CJ-100SX | UNF.C.RES.I.M   | 10 5% 1/4W   |        |
| R702 | GRD14CJ-100SX | UNF.C.RES.I.M   | 10 5% 1/4W   |        |
| R703 | GRD161J-563   | C RESISTOR      | 56K 5% 1/4W  |        |
| R704 | GRD161J-563   | C RESISTOR      | 56K 5% 1/4W  |        |
| R705 | GRD14CJ-182SX | UNF.C.RES.I.M   | 1.8K 5% 1/4W |        |
| R706 | GRD14CJ-182SX | UNF.C.RES.I.M   | 1.8K 5% 1/4W |        |
| R707 | GRD161J-563   | C RESISTOR      | 56K 5% 1/4W  |        |
| R708 | GRD161J-563   | C RESISTOR      | 56K 5% 1/4W  |        |
| R709 | GRX014J-R22   | UNF.MF.RES.I.M  | 5% 1/1W      |        |
| R710 | GRX014J-R22   | UNF.MF.RES.I.M  | 5% 1/1W      |        |
| R711 | GRX014J-R22   | UNF.MF.RES.I.M  | 5% 1/1W      |        |
| R712 | GRX014J-R22   | UNF.MF.RES.I.M  | 5% 1/1W      |        |
| R713 | GRD14CJ-100SX | UNF.C.RES.I.M   | 10 5% 1/4W   |        |
| R714 | GRD14CJ-100SX | UNF.C.RES.I.M   | 10 5% 1/4W   |        |
| R715 | GRD14CJ-100SX | UNF.C.RES.I.M   | 10 5% 1/4W   |        |
| R716 | GRD14CJ-100SX | UNF.C.RES.I.M   | 10 5% 1/4W   |        |
| R717 | GRD161J-122   | C RESISTOR      | 1.2K 5% 1/4W |        |
| R718 | GRD161J-122   | C RESISTOR      | 1.2K 5% 1/4W |        |
| R719 | GRD161J-223   | C RESISTOR      | 22K 5% 1/4W  |        |
| R720 | GRD161J-223   | C RESISTOR      | 22K 5% 1/4W  |        |
| R721 | GRD161J-103   | C RESISTOR      | 10K 5% 1/4W  |        |
| R722 | GRD161J-103   | C RESISTOR      | 10K 5% 1/4W  |        |
| R723 | GRD161J-473   | C RESISTOR      | 47K 5% 1/4W  |        |
| R724 | GRD161J-473   | C RESISTOR      | 47K 5% 1/4W  |        |
| R725 | GRD161J-823   | C RESISTOR      | 82K 5% 1/4W  |        |
| R726 | GRD161J-104   | C RESISTOR      | 100K 5% 1/4W |        |
| R727 | GRD161J-104   | C RESISTOR      | 100K 5% 1/4W |        |
| R728 | GRD161J-103   | C RESISTOR      | 10K 5% 1/4W  |        |
| R729 | GRD161J-104   | C RESISTOR      | 100K 5% 1/4W |        |
| R730 | GRD161J-103   | C RESISTOR      | 10K 5% 1/4W  |        |
| R731 | GRD161J-183Y  | C RESISTOR      | 18K 5% 1/4W  |        |
| R732 | GRD161J-183Y  | C RESISTOR      | 18K 5% 1/4W  |        |
| R733 | GRD161J-472   | CARBON RESISTOR | 4.7K 5% 1/4W |        |
| R734 | GRD161J-472   | C RESISTOR      | 47K 5% 1/4W  |        |
| R735 | GRD161J-472   | C RESISTOR      | 47K 5% 1/4W  |        |
| R736 | GRD161J-472   | C RESISTOR      | 4.7K 5% 1/4W |        |
| R739 | GRG010J-821X  | OMF RESISTOR    | 820 5% 1/1W  |        |
| R740 | GRG010J-821X  | OMF RESISTOR    | 820 5% 1/1W  |        |
| R741 | GRD161J-473   | C RESISTOR      | 47K 5% 1/4W  |        |
| R742 | GRD161J-473   | C RESISTOR      | 47K 5% 1/4W  |        |
| R743 | GRD161J-223   | C RESISTOR      | 22K 5% 1/4W  |        |
| R744 | GRD161J-223   | C RESISTOR      | 22K 5% 1/4W  |        |
| R745 | GRD161J-103   | C RESISTOR      | 10K 5% 1/4W  |        |
| R746 | GRD161J-103   | C RESISTOR      | 10K 5% 1/4W  |        |
| R747 | GRD161J-823   | C RESISTOR      | PROTECT      |        |
| R748 | GRD161J-104   | C RESISTOR      | PROTECT      |        |
| R749 | GRD161J-471   | C RESISTOR      | 470 5% 1/4W  |        |

■ Electric Parts List (Pre Amplifier & Tuner P.C.B.)

| REF. | PARTS NO.     | PARTS NAME      | REMARKS         | SUFFIX |
|------|---------------|-----------------|-----------------|--------|
| C 1  | QCC11EM-223V  | C CAPACITOR     | .022MF 20% 25V  |        |
| C 3  | QCC11EM-473V  | C CAPACITOR     | .047MF 20% 25V  |        |
| C 4  | QCVB1CN-103Y  | C CAPACITOR     | .010MF 30% 16V  |        |
| C 5  | QETN1CM-476Z  | E CAPACITOR     | CA-D702T        |        |
| C 5  | QETN1AM-107Z  | AL E-CAPACITOR  | CA-D752TR       |        |
| C 8  | QCS11HJ-150   | C CAPACITOR     | CA-D752T        | B,E,EN |
| C 12 | QCSB1HJ-150Y  | C CAPACITOR     | CA-D752TR       |        |
| C 12 | QCSB1HJ-100Y  | CER-CAPACITOR-S | CA-D702T        |        |
| C 13 | QCVB1CN-103Y  | C CAPACITOR     | EXCEPTCA-752 EE | EE     |
| C 16 | QFV41HJ-104ZM | TF CAPACITOR    | CA-D752TR       |        |
| C 18 | QCB1HK-471Y   | C CAPACITOR     | 470PF 10% 50V   |        |
| C 19 | QCB1HK-471Y   | C CAPACITOR     | 470PF 10% 50V   |        |
| C 20 | QCC11EM-473V  | C CAPACITOR     | .047MF 20% 25V  |        |
| C 30 | QEK41CM-476   | E CAPACITOR     | 47MF 20% 16V    |        |
| C 31 | QCS31HJ-390Z  | C CAPACITOR     | CA-D752TR       | EE     |
| C 31 | QCSB1HJ-330Y  | CER-CAPACITOR   | CA-D752TR       | B,E,EN |
| C 32 | QCGD1HK-102   | C CAPACITOR     | 1000PF 10% 50V  |        |
| C 33 | QEK61AM-107ZM | E CAPACITOR     | 100MF 20% 10V   |        |
| C 34 | QCS11HJ-150   | C CAPACITOR     | 15PF 5% 50V     |        |
| C 35 | QCVB1CN-103Y  | C CAPACITOR     | .010MF 30% 16V  |        |
| C 36 | QEK41CM-106   | E CAPACITOR     | 10MF 20% 16V    |        |
| C 37 | QCVB1CN-103Y  | C CAPACITOR     | .010MF 30% 16V  |        |
| C 38 | QCC11EM-473V  | C CAPACITOR     | .047MF 20% 25V  |        |
| C 39 | QCC11EM-473V  | C CAPACITOR     | .047MF 20% 25V  |        |
| C 40 | QCVB1CN-103Y  | C CAPACITOR     | .010MF 30% 16V  |        |
| C 41 | QEK41HM-104   | E CAPACITOR     | .10MF 20% 50V   |        |
| C 42 | QEK41HM-474   | E CAPACITOR     | .47MF 20% 50V   | B,E,EN |
| C 43 | QEK61HM-335ZN | E CAPACITOR     | CA-D752TR       |        |
| C 44 | QCSB1HJ-680Y  | AL E-CAPACITOR  | CA-D702T        |        |
| C 44 | QCB1HK-221Y   | C CAPACITOR     | CA-D752TR       | B,E,EN |
| C 45 | QEK61EM-106ZN | E CAPACITOR     | CA-D752TR       |        |
| C 45 | QEK61HM-335ZN | E CAPACITOR     | CA-D702T        |        |
| C 46 | QCC11EM-223V  | C CAPACITOR     | .022MF 20% 25V  |        |
| C 47 | QCVB1CN-103Y  | C CAPACITOR     | .010MF 30% 16V  |        |
| C 49 | QFLC1HJ-223ZM | M CAPACITOR     | CA-D702T        |        |
| C 49 | QFLC1HJ-393ZM | M CAPACITOR     | CA-D702T        |        |
| C 50 | QFLC1HJ-393ZM | M CAPACITOR     | CA-D702T        |        |
| C 50 | QFLC1HJ-223ZM | M CAPACITOR     | CA-D752TR       |        |
| C 51 | QEK41HM-105   | E CAPACITOR     | 1.0MF 20% 50V   |        |
| C 52 | QEK41HM-105   | E CAPACITOR     | 1.0MF 20% 50V   |        |
| C 53 | QCG1HK-102    | C CAPACITOR     | CA-D752TR       | B,E,EN |
| C 54 | QEK61HM-335ZN | E CAPACITOR     | CA-D752TR       | B,E,EN |
| C 55 | QCS11HJ-120   | C CAPACITOR     | CA-D752TR       |        |
| C 60 | QEK61AM-107ZM | E CAPACITOR     | 100MF 20% 10V   |        |
| C 61 | QCS11HJ-120   | C CAPACITOR     | 12PF 5% 50V     |        |
| C 62 | QCS11HJ-120   | C CAPACITOR     | 12PF 5% 50V     |        |
| C 63 | QCC11EM-473V  | C CAPACITOR     | .047MF 20% 25V  |        |
| C 65 | QCG1HK-102    | C CAPACITOR     | 1000PF 10% 50V  |        |
| C 66 | QCB1HK-151Y   | C CAPACITOR     | 150PF 10% 50V   |        |
| C 67 | QCB1HK-151Y   | C CAPACITOR     | 150PF 10% 50V   |        |
| C 68 | QCB1HK-101Y   | C CAPACITOR     | EXCEPTCA-D752EE |        |
| C 69 | QFV41HJ-105   | TF-CAPA. I.M XX | 1.0MF 5% 50V    |        |
| C 70 | QCVB1CN-392Y  | C CAPACITOR     | 3900PF 20% 16V  |        |
| C 71 | QET41CM-476   | E CAPACITOR     | 47MF 20% 16V    |        |
| C 72 | QCG1HK-102    | C CAPACITOR     | 1000PF 10% 50V  |        |

| REF.  | PARTS NO.    | PARTS NAME     | REMARKS        | SUFFIX |
|-------|--------------|----------------|----------------|--------|
| CN007 | QGF1201C3-12 | VMC0332-012    | TO FMB (MICOM) |        |
| CN009 | EMV5138-005  | CONNECTOR      | TO TRANS       |        |
| CN012 | EMV5163-011R | CONNECTOR      | TO FMH-014-2   |        |
| CN013 | EMV5163-011R | CONNECTOR      | TO FMH-014-2   |        |
| CN014 | EMV5163-005R | CONNECTOR      |                |        |
| CN019 | EMV5285-202V | SKT WIRE       | TO TRANS       |        |
| CN111 | EMV7145-004Z | SOCKET I.M     | TO CONN. BOARD |        |
| CN103 | EMV5163-007R | CONNECTOR      | TO CONN. BOARD |        |
| CN704 | EMV5163-006R | CONNECTOR      | FOR H/PHONE FW |        |
| CN705 | EMV7145-004Z | SOCKET I.M     | FOR H/PHONE FW |        |
| EP001 | EM4002-002Z  | IM EARTH PLATE | TO GND CHASSIS |        |
| FT011 | EMG7331-003Z | FUSE CLIP      | F001 LIVE FUSE |        |
| FT012 | EMG7331-003Z | FUSE CLIP      | F001 LIVE FUSE |        |
| FT031 | EMG7331-003Z | FUSE CLIP      | F001 LIVE FUSE |        |
| FT032 | EMG7331-003Z | FUSE CLIP      | CA-D702T       |        |
| FT511 | EMG7331-003Z | FUSE CLIP      | CA-D702T       |        |
| FT512 | EMG7331-003Z | FUSE CLIP      | F101 SEC FUSE  |        |
| FT521 | EMG7331-003Z | FUSE CLIP      | F101 SEC FUSE  |        |
| FT522 | EMG7331-003Z | FUSE CLIP      | F102 SEC FUSE  |        |
| FW101 | EMR34D-14LSV | EF WIRE        | F102 SEC FUSE  |        |
| IC701 | TDA7294      | I.C.           |                |        |
| IC702 | TDA7294      | I.C.           |                |        |
| IC781 | TDA7295      | IC             |                |        |
| IC782 | TDA7295      | IC             |                |        |
| R 098 | QRD161J-104  | C RESISTOR     | CA-D702T       |        |
| R 099 | QRD161J-104  | C RESISTOR     | CA-D702T       |        |
| TB001 | EMZ4001-002Z | TAB I.M        |                |        |
| TB002 | EMZ4001-002Z | TAB I.M        |                |        |
| TH002 | GAD0095-4R7Z | POSISTOR I.M   |                |        |
| W 003 | QWE884-18RR  | WIRE           | CA-D702T       |        |
| W 004 | QWE883-18RR  | WIRE           | CA-D702T       |        |
| W 006 | QWE881-14RR  | WIRE           | CA-D702T       |        |
| W 008 | QWE886-18RR  | WIRE           | CA-D702T       |        |
| W 009 | QWE888-18RR  | S-WIRE         | CA-D702T       |        |
| W 059 | QWE880-07RR  | WIRE           | CA-D702T       | UP     |

BLOCK NO. 01111111

BLOCK NO. 02111111

BLOCK NO. 02111111

| REF. | PARTS NO.      | PARTS NAME   | REMARKS        | SUFFIX |
|------|----------------|--------------|----------------|--------|
| C 80 | QCBB1HK-820V   | C CAPACITOR  | CA-D752TR      |        |
| C 81 | QC511HJ-470    | C CAPACITOR  | CA-D752TR      |        |
| C 82 | EETC1CM-106ZJC | E. CAPACITOR | CA-D752TR      |        |
| C 83 | QC11EM-473V    | C CAPACITOR  | CA-D752TR      |        |
| C 84 | QETC1HM-225ZM  | E. CAPA. I.M | CA-D752TR      |        |
| C 85 | QCBB1HK-331Y   | C CAPACITOR  | CA-D752TR      |        |
| C 86 | QCBB1HK-561Y   | C CAPACITOR  | CA-D752TR      |        |
| C 89 | QCGB1HK-102    | C CAPACITOR  | CA-D752TR      |        |
| C 90 | QCVB1CN-103Y   | C CAPACITOR  | CA-D752TR      |        |
| C 98 | QC511HJ-100    | C CAPACITOR  | CA-D752TR      | B,E,EN |
| CF 1 | VCF2L3B-108Z   | C FILTER     | CA-D702T       |        |
| CF 2 | VCF2M3B-104    | C FILTER     | CA-D752TR      |        |
| CF 2 | VCF2L3B-108Z   | C FILTER     | CA-D702T       |        |
| CF 2 | GAX0403-001    | C FILTER     | CA-D752TR      |        |
| C360 | QFV41HJ-104ZM  | TF CAPACITOR | .10MF 5% 50V   |        |
| C361 | QFV41HJ-104ZM  | TF CAPACITOR | .10MF 5% 50V   |        |
| C365 | QET41CM-227    | E CAPACITOR  | 220MF 20% 16V  |        |
| C366 | QET41AM-108    | E CAPACITOR  | 1000MF 20% 10V |        |
| C372 | EETB1HM-475E   | E. CAPA. I.M |                |        |
| C373 | QCVB1CN-103Y   | C CAPACITOR  | .010MF 30% 16V |        |
| C380 | QFV41HJ-104ZM  | TF CAPACITOR | .10MF 5% 50V   |        |
| C381 | QFV41HJ-104ZM  | TF CAPACITOR | .10MF 5% 50V   |        |
| C382 | QFV41HJ-104ZM  | TF CAPACITOR | .10MF 5% 50V   |        |
| C383 | QFV41HJ-104ZM  | TF CAPACITOR | .10MF 5% 50V   |        |
| C383 | QETC1EM-476ZM  | E CAPACITOR  | 47MF 20% 25V   |        |
| C385 | EETB1HM-105E   | E. CAPA. I.M |                |        |
| C386 | QCBB1HK-681Y   | C CAPACITOR  | 680PF 10% 50V  |        |
| C387 | QFLC1HJ-153ZM  | M CAPACITOR  | .015MF 5% 50V  |        |
| C388 | QCXB1CM-182Y   | C CAPACITOR  | 1800PF 20% 16V |        |
| C389 | QCS11HJ-330    | C CAPACITOR  | 33PF 5% 50V    |        |
| C390 | QFV41HJ-104ZM  | TF CAPACITOR | .10MF 5% 50V   |        |
| C398 | QFV71HJ-103    | TF CAPACITOR | CA-D702T       |        |
| C399 | QFV71HJ-103    | TF CAPACITOR | CA-D702T       |        |
| C401 | QFLM1HJ-222Z   | M CAPACITOR  | 2200PF 5% 50V  |        |
| C402 | QFLM1HJ-222Z   | M CAPACITOR  | 2200PF 5% 50V  |        |
| C403 | QFLM1HJ-102Z   | M CAPACITOR  | 1000PF 5% 50V  |        |
| C404 | QFLM1HJ-102Z   | M CAPACITOR  | 1000PF 5% 50V  |        |
| C407 | QTE1V06-106Z   | E. CAPA. I.M |                |        |
| C408 | QTE1V06-106Z   | E. CAPA. I.M |                |        |
| C411 | EETB1EM-106E   | E. CAPA. I.M |                |        |
| C412 | EETB1EM-106E   | E. CAPA. I.M |                |        |
| C413 | QCBB1HK-471Y   | C CAPACITOR  | 470PF 10% 50V  |        |
| C414 | QCBB1HK-471Y   | C CAPACITOR  | 470PF 10% 50V  |        |
| C415 | EETB1EM-106E   | E. CAPA. I.M |                |        |
| C416 | EETB1EM-106E   | E. CAPA. I.M |                |        |
| C417 | EETB1EM-106E   | E. CAPA. I.M |                |        |
| C418 | QETC1HM-225ZM  | E. CAPA. I.M | 2.2MF 20% 50V  |        |
| C419 | EETB1EM-106E   | E. CAPA. I.M |                |        |
| C420 | QET41AM-227    | E CAPACITOR  | 220MF 20% 10V  |        |
| C421 | QFV41HJ-104ZM  | TF CAPACITOR | .10MF 5% 50V   |        |
| C422 | QFV41HJ-104ZM  | TF CAPACITOR | .10MF 5% 50V   |        |
| C423 | QFV41HJ-104ZM  | TF CAPACITOR | .10MF 5% 50V   |        |
| C424 | QFV41HJ-104ZM  | TF CAPACITOR | .10MF 5% 50V   |        |
| C425 | QFLC1HJ-183ZM  | M CAPACITOR  | .018MF 5% 50V  |        |
| C426 | QFLC1HJ-183ZM  | M CAPACITOR  | .018MF 5% 50V  |        |

BLOCK NO. 02111111

| REF. | PARTS NO.     | PARTS NAME   | REMARKS         | SUFFIX |
|------|---------------|--------------|-----------------|--------|
| C427 | QFLC1HJ-223ZM | M CAPACITOR  | .022MF 5% 50V   |        |
| C428 | QFLC1HJ-223ZM | M CAPACITOR  | .022MF 5% 50V   |        |
| C429 | QFLM1HJ-562Z  | M CAPACITOR  | 5600PF 5% 50V   |        |
| C430 | QFLM1HJ-562Z  | M CAPACITOR  | 5600PF 5% 50V   |        |
| C431 | QETC1HM-225ZM | E. CAPA. I.M | 2.2MF 20% 50V   |        |
| C432 | QETC1HM-225ZM | E. CAPA. I.M | 2.2MF 20% 50V   |        |
| C433 | EETB1HM-105E  | E. CAPA. I.M |                 |        |
| C434 | EETB1HM-105E  | E. CAPA. I.M |                 |        |
| C435 | EETB1EM-106E  | E. CAPA. I.M |                 |        |
| C436 | EETB1EM-106E  | E. CAPA. I.M |                 |        |
| C439 | QETC1HM-224Z  | E. CAPA. I.M | CA-D702T        |        |
| C440 | EETB1EM-106E  | E. CAPA. I.M | CA-D702T        |        |
| C441 | EETB1EM-106E  | E. CAPA. I.M |                 |        |
| C442 | EETB1EM-106E  | E. CAPA. I.M |                 |        |
| C445 | QCBB1HK-101Y  | C CAPACITOR  | 100PF 10% 50V   |        |
| C446 | QCBB1HK-101Y  | C CAPACITOR  | 100PF 10% 50V   |        |
| C447 | EETB1EM-106E  | E. CAPA. I.M |                 |        |
| C448 | EETB1EM-106E  | E. CAPA. I.M |                 |        |
| C454 | QCBB1HK-101Y  | C CAPACITOR  | 100PF 10% 50V   |        |
| C457 | EETB1EM-106E  | E. CAPA. I.M |                 |        |
| C458 | EETB1EM-106E  | E. CAPA. I.M |                 |        |
| C459 | QFLM1HJ-333Z  | M CAPACITOR  | .033MF 5% 50V   |        |
| C460 | EETB1HM-475E  | E. CAPA. I.M |                 |        |
| C461 | QETB1HM-474N  | E. CAPA. I.M | .47MF 20% 50V   |        |
| C462 | QFLC1HJ-393ZM | M CAPACITOR  | .039MF 5% 50V   |        |
| C463 | QETB1HM-474N  | E. CAPA. I.M | .47MF 20% 50V   |        |
| C465 | QFLC1HJ-393ZM | M CAPACITOR  | .039MF 5% 50V   |        |
| C466 | QFLC1HJ-473ZM | M CAPACITOR  | .047MF 5% 50V   |        |
| C467 | EETB1HM-105E  | E. CAPA. I.M |                 |        |
| C468 | QETC1EM-476ZM | E. CAPA. I.M | 47MF 20% 25V    |        |
| C469 | QCBB1HK-101Y  | C CAPACITOR  | EXCEPTCA-D752EE |        |
| C470 | QCBB1HK-101Y  | C CAPACITOR  | EXCEPTCA-D752EE |        |
| C471 | QCBB1HK-101Y  | C CAPACITOR  | 100PF 10% 50V   |        |
| C472 | QCBB1HK-101Y  | C CAPACITOR  | 100PF 10% 50V   |        |
| C473 | QETC1EM-476ZM | E. CAPA. I.M | 47MF 20% 25V    |        |
| C474 | QETC1EM-476ZM | E. CAPA. I.M | 47MF 20% 25V    |        |
| C475 | QTE1V06-106Z  | E. CAPA. I.M |                 |        |
| C476 | QTE1V06-106Z  | E. CAPA. I.M |                 |        |
| C477 | EETB1HM-475E  | E. CAPA. I.M |                 |        |
| C484 | QCBB1HK-101Y  | C CAPACITOR  | 100PF 10% 50V   |        |
| C489 | QET41CM-476   | E CAPACITOR  | 47MF 20% 16V    |        |
| C490 | QET41CM-476   | E CAPACITOR  | 47MF 20% 16V    |        |
| C493 | QFV41HJ-104ZM | TF CAPACITOR | .10MF 5% 50V    |        |
| C494 | QFV41HJ-104ZM | TF CAPACITOR | .10MF 5% 50V    |        |
| C495 | QFV41HJ-104ZM | TF CAPACITOR | .10MF 5% 50V    |        |
| C496 | QFV41HJ-104ZM | TF CAPACITOR | .10MF 5% 50V    |        |
| C501 | EETB1EM-106E  | E. CAPA. I.M |                 |        |
| C502 | EETB1EM-106E  | E. CAPA. I.M |                 |        |
| C503 | QFLC1HJ-223ZM | M CAPACITOR  | .022MF 5% 50V   |        |
| C504 | QFLC1HJ-223ZM | M CAPACITOR  | .047MF 5% 50V   |        |
| C505 | QET41AM-227   | E CAPACITOR  | 220MF 20% 10V   |        |
| C506 | EETB1EM-106E  | E. CAPA. I.M |                 |        |
| C507 | EETB1EM-106E  | E. CAPA. I.M |                 |        |
| C508 | EETB1EM-106E  | E. CAPA. I.M |                 |        |
| C509 | EETB1EM-106E  | E. CAPA. I.M |                 |        |



BLOCK NO. 021111

| A | REF. | PARTS NO.      | PARTS NAME   | REMARKS          | SUFFIX |
|---|------|----------------|--------------|------------------|--------|
|   | D 1  | 1SS133-12      | DIODE        |                  |        |
|   | D 2  | 1SS133-12      | DIODE        |                  |        |
|   | D 3  | 1SS133-12      | DIODE        |                  |        |
|   | D 4  | 1SS133-12      | DIODE        |                  |        |
|   | D301 | 1SR35-100      | SI DIODE     |                  |        |
|   | D302 | MTZ3-9JB       | Z DIODE      |                  |        |
|   | D303 | 1SS133-12      | DIODE        |                  |        |
|   | D304 | 1SR35-100      | SI DIODE     |                  |        |
|   | D305 | 1SS133-12      | DIODE        |                  |        |
|   | D306 | 1SS133-12      | DIODE        | EXCEPT CA-D702A  |        |
|   | D307 | 1SS133-12      | DIODE        |                  |        |
|   | D401 | MTZ5.1B        | ZENER DIODE  |                  |        |
|   | D402 | MTZ5.1B        | ZENER DIODE  |                  |        |
|   | D403 | 1SR35-100      | SI DIODE     |                  |        |
|   | D481 | 1SS133-12      | DIODE        |                  |        |
|   | D482 | 1SS133-12      | DIODE        |                  |        |
|   | J 1  | EMB41YV-302K   | ANT TERMINAL | CA-D752TR        |        |
|   | J 1  | FMB10YV-401K   | ANT TERMINAL | CA-D702T         |        |
|   | J401 | EMN00TV-222AJ2 | PIN JACK     |                  |        |
|   | L 1  | QQR0884-001    | COIL BLOCK   | CA-D752TR        |        |
|   | L 1  | VQZ0098-202    | COIL BLOCK   | CA-D702T         |        |
|   | L 4  | VQ0018-221     | INDUCTOR     |                  |        |
|   | L 5  | EQL4007-101    | INDUCTOR     | CA-D752TR        | B,E,EN |
|   | L 10 | VQZ0069-002S   | TRAP COIL    | CA-D752TR        |        |
|   | L 11 | VQ0018-2R7     | INDUCTOR     | CA-D752TR        |        |
|   | L 12 | VQ0018-330     | INDUCTOR     | CA-D752TR        | B,E,EN |
|   | L401 | QQL29BJ-100Z   | INDUCTOR     | EXCEPT CA-D752EE |        |
|   | L402 | VQZ0048-009    | INDUCTOR     |                  |        |
|   | L403 | VQZ0048-009    | INDUCTOR     |                  |        |
|   | L405 | VQZ0048-009    | INDUCTOR     |                  |        |
|   | L405 | VQZ0048-009    | INDUCTOR     | CA-D752T         | B,E,EN |
|   | Q 1  | 2SC1923        | TR TAPE      |                  |        |
|   | Q 2  | DTA114YS       | D.TR.I.M     | CA-D752TR        |        |
|   | Q 3  | 2SC2785        | TRANSISTOR   | CA-D752TR        |        |
|   | Q 4  | 2SC2785        | TRANSISTOR   | CA-D752TR        |        |
|   | Q 6  | DTA114YS       | D.TR.I.M     |                  |        |
|   | Q 14 | 2SA1175        | TRANSISTOR   | CA-D752TR        | B,E,EN |
|   | Q 16 | 2SC2785        | TRANSISTOR   | CA-D752TR        |        |
|   | Q301 | 2SD2144S(VW)   | TRANSISTOR   |                  |        |
|   | Q302 | 2SD2144S(VW)   | TRANSISTOR   |                  |        |
|   | Q304 | 2SA1175        | TRANSISTOR   |                  |        |
|   | Q305 | 2SC2785        | TRANSISTOR   |                  |        |
|   | Q306 | 2SC2785        | TRANSISTOR   |                  |        |
|   | Q307 | 2SC2785        | TRANSISTOR   |                  |        |
|   | Q308 | DTC144TSA-T    | D.TR.I.M     |                  |        |
|   | Q401 | 2SD2144S(VW)   | TRANSISTOR   |                  |        |
|   | Q402 | 2SD2144S(VW)   | TRANSISTOR   |                  |        |
|   | Q403 | KRA102M-T      | D.TR.I.M     |                  |        |
|   | Q501 | 2SD2144S(VW)   | TRANSISTOR   |                  |        |
|   | Q502 | 2SD2144S(VW)   | TRANSISTOR   |                  |        |
|   | R 1  | QRD161J-102    | C RESISTOR   | 1.0K 5% 1/4W     |        |
|   | R 2  | QRD161J-181    | C RESISTOR   | CA-D752TR        | B,E,EN |
|   | R 2  | QRD161J-821    | C RESISTOR   | CA-D702T         | EE     |
|   | R 3  | QRD167J-121    | C RESISTOR   | CA-D752TR        | B,E,EN |
|   | R 3  | QRD161J-101    | C RESISTOR   | CA-D752TR        |        |
|   | R 3  | QRD161J-560    | C RESISTOR   | CA-D702T         |        |

BLOCK NO. 021111

| A | REF. | PARTS NO.     | PARTS NAME   | REMARKS          | SUFFIX   |
|---|------|---------------|--------------|------------------|----------|
|   | C510 | QET41AM-227   | E CAPACITOR  | 220MF 20% 10V    |          |
|   | C511 | QFV41HJ-104ZM | TF CAPACITOR | .10MF 5% 50V     |          |
|   | C512 | QFV41HJ-104ZM | TF CAPACITOR | .10MF 5% 50V     |          |
|   | C513 | QFV41HJ-104ZM | TF CAPACITOR | .10MF 5% 50V     |          |
|   | C514 | QFV41HJ-104ZM | TF CAPACITOR | .10MF 5% 50V     |          |
|   | C515 | QETB1HM-474N  | E.CAPA. I.M  | .47MF 20% 50V    |          |
|   | C516 | QETB1HM-474N  | E.CAPA. I.M  | .47MF 20% 50V    |          |
|   | C517 | EETB1HM-475E  | E.CAPA. I.M  |                  |          |
|   | C518 | EETB1HM-475E  | E.CAPA. I.M  |                  |          |
|   | C519 | QETB1HM-474N  | E.CAPA. I.M  | .47MF 20% 50V    |          |
|   | C520 | QETB1HM-474N  | E.CAPA. I.M  | .47MF 20% 50V    |          |
|   | C521 | EETB1HM-475E  | E.CAPA. I.M  |                  |          |
|   | C522 | EETB1HM-475E  | E.CAPA. I.M  |                  |          |
|   | C523 | QFV81HJ-154   | TF CAPACITOR | .15MF 5% 50V     |          |
|   | C524 | QFV81HJ-154   | TF CAPACITOR | .15MF 5% 50V     |          |
|   | C525 | QETC1EM-335Z  | E CAPACITOR  | 3.3MF 20% 50V    |          |
|   | C526 | QETM1HM-335Z  | E CAPACITOR  | 3.3MF 20% 50V    |          |
|   | C527 | QFV81HJ-154   | TF CAPACITOR | .15MF 5% 50V     |          |
|   | C528 | QFV81HJ-154   | TF CAPACITOR | .15MF 5% 50V     |          |
|   | C529 | QFV41HJ-474   | CAPACITOR    | .47MF 5% 50V     |          |
|   | C530 | QETC1EM-476ZM | E.CAPA. I.M  | .47MF 20% 25V    |          |
|   | C531 | QET41CM-227   | E CAPACITOR  | 220MF 20% 16V    |          |
|   | C532 | QCBB1HK-681Y  | C CAPACITOR  | 680PF 10% 50V    |          |
|   | C533 | QCBB1HK-101Y  | C CAPACITOR  | 100PF 10% 50V    |          |
|   | C535 | QCBB1HK-561Y  | C CAPACITOR  | 560PF 10% 50V    |          |
|   | C541 | QETC1HM-225ZM | E.CAPA. I.M  | 2.2MF 20% 50V    |          |
|   | C543 | QCF11HP-473   | C CAPACITOR  | .047MF +80% -20% |          |
|   | C544 | QETB1HM-474N  | E.CAPA. I.M  | .47MF 20% 50V    |          |
|   | C545 | QETB1HM-474N  | E.CAPA. I.M  | .47MF 20% 50V    |          |
|   | C546 | QFLM1HJ-823Z  | M CAPACITOR  | .082MF 5% 50V    |          |
|   | C547 | QCY41HK-33Z   | C CAPACITOR  | 3300PF 10% 50V   |          |
|   | C548 | QFLM1HJ-823Z  | M CAPACITOR  | .082MF 5% 50V    |          |
|   | C549 | QET41AM-227   | E CAPACITOR  | 220MF 20% 10V    |          |
|   | C550 | QCF11HP-473   | C CAPACITOR  | .047MF +80% -20% |          |
|   | C551 | QCS11HJ-300   | C CAPACITOR  | X.TAL            |          |
|   | C552 | QCS11HJ-300   | C CAPACITOR  | X.TAL            |          |
|   | C553 | EETB1EM-106E  | E.CAPA. I.M  | SIGNAL OUT       |          |
|   | C554 | EETB1EM-106E  | E.CAPA. I.M  | SIGNAL OUT       |          |
|   | C555 | QCBB1HK-101Y  | C CAPACITOR  | EXCEPT CA-D752EE |          |
|   | C556 | QCBB1HK-101Y  | C CAPACITOR  | EXCEPT CA-D752EE |          |
|   | C561 | QETC1HM-225ZM | E.CAPA. I.M  | CENTER, REAR IN  |          |
|   | C562 | QETC1HM-225ZM | E.CAPA. I.M  | CENTER, REAR IN  |          |
|   | C563 | EETB1HM-105E  | E.CAPA. I.M  | CENTER, REAR OUT |          |
|   | C564 | EETB1HM-105E  | E.CAPA. I.M  | CENTER, REAR OUT |          |
|   | C565 | EETB1EM-106E  | E.CAPA. I.M  |                  |          |
|   | C567 | QCBB1HK-101Y  | C CAPACITOR  | 100PF 10% 50V    |          |
|   | C568 | QCBB1HK-101Y  | C CAPACITOR  | 100PF 10% 50V    |          |
|   | C569 | EETB1EM-106E  | E.CAPA. I.M  |                  |          |
|   | C570 | EETB1EM-106E  | E.CAPA. I.M  |                  |          |
|   | C581 | QCVB1CN-103Y  | C CAPACITOR  | .010MF 30% 16V   |          |
|   | C582 | QCVB1CN-103Y  | C CAPACITOR  | .010MF 30% 16V   |          |
|   | C584 | QFV71HJ-103   | TF CAPACITOR | CA-D702T         | US,UT,UX |
|   | C585 | QCBB1HK-102   | C CAPACITOR  | CA-D702T         | U,UB,UP  |
|   | C585 | QCBB1HK-102   | C CAPACITOR  | CA-D702T         |          |
|   | C586 | EETB1EM-106E  | E.CAPA. I.M  | CA-D702T         |          |

BLOCK NO. 02111111

| A | REF. | PARTS NO.    | PARTS NAME | REMARKS      | SUFFIX |
|---|------|--------------|------------|--------------|--------|
|   | R 83 | QRD161J-102  | C RESISTOR | CA-D752TR    |        |
|   | R 84 | QRD161J-102  | C RESISTOR | CA-D752TR    |        |
|   | R 84 | QRD161J-103  | C RESISTOR | CA-D752TR    |        |
|   | R 91 | QRD161J-103  | C RESISTOR | 1.0K 5% 1/4W |        |
|   | R100 | QRD161J-103  | C RESISTOR | 100K 5% 1/4W |        |
|   | R101 | QRD161J-103  | C RESISTOR | 10K 5% 1/4W  |        |
|   | R102 | QRD161J-103  | C RESISTOR | 10K 5% 1/4W  |        |
|   | R103 | QRD161J-512  | C RESISTOR | CA-D752TR    |        |
|   | R103 | QRD161J-222  | C RESISTOR | CA-D702T     |        |
|   | R104 | QRD161J-512  | C RESISTOR | CA-D752TR    |        |
|   | R104 | QRD161J-222  | C RESISTOR | CA-D702T     |        |
|   | R105 | QRD161J-1R0  | C RESISTOR | 1.0 5% 1/4W  |        |
|   | R360 | QRD161J-222  | C RESISTOR | 2.2K 5% 1/4W |        |
|   | R362 | QRD161J-221  | C RESISTOR | CA-D752TR    |        |
|   | R370 | QRD161J-102  | C RESISTOR | 1.0K 5% 1/4W |        |
|   | R371 | QRD161J-103  | C RESISTOR | 10K 5% 1/4W  |        |
|   | R372 | QRD161J-103  | C RESISTOR | 10K 5% 1/4W  |        |
|   | R373 | QRZ0077-470  | C RESISTOR | 47 1/0W      |        |
|   | R375 | QRD161J-331  | C RESISTOR | 330 5% 1/4W  |        |
|   | R377 | QRD161J-103  | C RESISTOR | 10K 5% 1/4W  |        |
|   | R378 | QRD161J-104  | C RESISTOR | 100K 5% 1/4W |        |
|   | R383 | QRD161J-472  | C RESISTOR | 4.7K 5% 1/4W |        |
|   | R384 | QRD161J-472  | C RESISTOR | 4.7K 5% 1/4W |        |
|   | R386 | QRD161J-104  | C RESISTOR | 100K 5% 1/4W |        |
|   | R387 | QRD161J-473  | C RESISTOR | 47K 5% 1/4W  |        |
|   | R388 | QRD161J-220  | C RESISTOR | 22 5% 1/4W   |        |
|   | R401 | QRD161J-222  | C RESISTOR | 2.2M 5% 1/4W |        |
|   | R402 | QRD161J-222  | C RESISTOR | 2.2K 5% 1/4W |        |
|   | R403 | QRD161J-222  | C RESISTOR | 2.2K 5% 1/4W |        |
|   | R404 | QRD161J-222  | C RESISTOR | 2.2K 5% 1/4W |        |
|   | R405 | QRD161J-102  | C RESISTOR | 1.0K 5% 1/4W |        |
|   | R406 | QRD161J-102  | C RESISTOR | 1.0K 5% 1/4W |        |
|   | R407 | QRD167J-562  | C RESISTOR | 5.6K 5% 1/4W |        |
|   | R408 | QRD167J-562  | C RESISTOR | 5.6K 5% 1/4W |        |
|   | R413 | QRD161J-123  | C RESISTOR | 12K 5% 1/4W  |        |
|   | R414 | QRD161J-123  | C RESISTOR | 12K 5% 1/4W  |        |
|   | R415 | QRD161J-823  | C RESISTOR | 82K 5% 1/4W  |        |
|   | R416 | QRD161J-823  | C RESISTOR | 82K 5% 1/4W  |        |
|   | R417 | QRD167J-562  | C RESISTOR | 5.6K 5% 1/4W |        |
|   | R418 | QRD167J-562  | C RESISTOR | 5.6K 5% 1/4W |        |
|   | R419 | QRD161J-272  | C RESISTOR | 2.7K 5% 1/4W |        |
|   | R420 | QRD161J-272  | C RESISTOR | 2.7K 5% 1/4W |        |
|   | R421 | QRD161J-104  | C RESISTOR | 100K 5% 1/4W |        |
|   | R422 | QRD161J-104  | C RESISTOR | 100K 5% 1/4W |        |
|   | R423 | QRD161J-303Y | C RESISTOR | CA-D702T     |        |
|   | R424 | QRD161J-153  | C RESISTOR | CA-D702T     |        |
|   | R425 | QRD161J-153  | C RESISTOR | CA-D702T     |        |
|   | R426 | QRD161J-303Y | C RESISTOR | CA-D702T     |        |
|   | R427 | QRD161J-153  | C RESISTOR | CA-D702T     |        |
|   | R428 | QRD161J-104  | C RESISTOR | CA-D702T     |        |
|   | R429 | QRD161J-152  | C RESISTOR | 1.5K 5% 1/4W |        |
|   | R430 | QRD161J-152  | C RESISTOR | 1.5K 5% 1/4W |        |
|   | R433 | QRD167J-562  | C RESISTOR | 5.6K 5% 1/4W |        |
|   | R434 | QRD167J-562  | C RESISTOR | 5.6K 5% 1/4W |        |

BLOCK NO. 02111111

| A | REF. | PARTS NO.   | PARTS NAME | REMARKS      | SUFFIX |
|---|------|-------------|------------|--------------|--------|
|   | R 3  | QRD161J-560 | C RESISTOR | CA-D752TR    | EE     |
|   | R 10 | QRD161J-102 | C RESISTOR | CA-D702T     |        |
|   | R 10 | QRD161J-152 | C RESISTOR | CA-D752TR    |        |
|   | R 12 | QRD161J-102 | C RESISTOR | 1.0K 5% 1/4W |        |
|   | R 13 | QRD161J-104 | C RESISTOR | 100K 5% 1/4W |        |
|   | R 15 | QRD161J-103 | C RESISTOR | CA-D752TR    |        |
|   | R 16 | QRD161J-103 | C RESISTOR | CA-D752TR    |        |
|   | R 20 | QRD161J-331 | C RESISTOR | 330 5% 1/4W  |        |
|   | R 21 | QRD161J-224 | C RESISTOR | 220K 5% 1/4W |        |
|   | R 22 | QRD161J-331 | C RESISTOR | 330 5% 1/4W  |        |
|   | R 23 | QRD161J-270 | C RESISTOR | CA-D702T     |        |
|   | R 24 | QRD161J-271 | C RESISTOR | 270 5% 1/4W  |        |
|   | R 25 | QRD161J-273 | C RESISTOR | CA-D702T     |        |
|   | R 25 | QRD161J-473 | C RESISTOR | CA-D752TR    |        |
|   | R 26 | QRD161J-223 | C RESISTOR | CA-D752TR    | B,E,EN |
|   | R 27 | QRD161J-223 | C RESISTOR | 22K 5% 1/4W  |        |
|   | R 29 | QRD161J-473 | C RESISTOR | 47K 5% 1/4W  |        |
|   | R 30 | QRD161J-103 | C RESISTOR | 10K 5% 1/4W  |        |
|   | R 31 | QRD161J-103 | C RESISTOR | 10K 5% 1/4W  |        |
|   | R 32 | QRD161J-273 | C RESISTOR | CA-D702T     |        |
|   | R 32 | QRD161J-273 | C RESISTOR | CA-D752TR    | EE     |
|   | R 33 | QRD161J-560 | C RESISTOR | CA-D702T     |        |
|   | R 34 | QRD161J-222 | C RESISTOR | 2.2K 5% 1/4W |        |
|   | R 35 | QRD161J-222 | C RESISTOR | 2.2K 5% 1/4W |        |
|   | R 36 | QRD161J-103 | C RESISTOR | 10K 5% 1/4W  |        |
|   | R 37 | QRD167J-562 | C RESISTOR | 5.6K 5% 1/4W |        |
|   | R 38 | QRD161J-392 | C RESISTOR | 3.9K 5% 1/4W |        |
|   | R 39 | QRD161J-392 | C RESISTOR | 3.9K 5% 1/4W |        |
|   | R 42 | QRD161J-102 | C RESISTOR | 1.0K 5% 1/4W |        |
|   | R 43 | QRD161J-102 | C RESISTOR | 1.0K 5% 1/4W |        |
|   | R 44 | QRD161J-102 | C RESISTOR | 1.0K 5% 1/4W |        |
|   | R 45 | QRD161J-102 | C RESISTOR | 1.0K 5% 1/4W |        |
|   | R 46 | QRD161J-563 | C RESISTOR | 5.6K 5% 1/4W |        |
|   | R 47 | QRD161J-103 | C RESISTOR | 10K 5% 1/4W  |        |
|   | R 48 | QRD161J-331 | C RESISTOR | 330 5% 1/4W  |        |
|   | R 49 | QRD161J-102 | C RESISTOR | 1.0K 5% 1/4W |        |
|   | R 52 | QRD161J-472 | C RESISTOR | 4.7K 5% 1/4W |        |
|   | R 54 | QRD161J-472 | C RESISTOR | 4.7K 5% 1/4W |        |
|   | R 55 | QRD161J-182 | C RESISTOR | 1.8K 5% 1/4W |        |
|   | R 56 | QRD167J-332 | C RESISTOR | 3.3K 5% 1/4W |        |
|   | R 57 | QRD161J-102 | C RESISTOR | 1.0K 5% 1/4W |        |
|   | R 60 | QRD161J-102 | C RESISTOR | CA-D752TR    |        |
|   | R 61 | QRD161J-102 | C RESISTOR | CA-D752TR    |        |
|   | R 64 | QRD161J-473 | C RESISTOR | 47K 5% 1/4W  |        |
|   | R 65 | QRD161J-222 | C RESISTOR | 2.2K 5% 1/4W |        |
|   | R 66 | QRD161J-222 | C RESISTOR | 2.2K 5% 1/4W |        |
|   | R 69 | QRD161J-103 | C RESISTOR | 10K 5% 1/4W  |        |
|   | R 70 | QRD161J-393 | C RESISTOR | CA-D752TR    | B,E,EN |
|   | R 71 | QRD161J-823 | C RESISTOR | CA-D752TR    | B,E,EN |
|   | R 72 | QRD161J-122 | C RESISTOR | CA-D752TR    | B,E,EN |
|   | R 73 | QRD161J-222 | C RESISTOR | CA-D752TR    | B,E,EN |
|   | R 74 | QRD167J-332 | C RESISTOR | CA-D752TR    | B,E,EN |
|   | R 75 | QRD161J-822 | C RESISTOR | CA-D752TR    | B,E,EN |
|   | R 76 | QRD161J-102 | C RESISTOR | CA-D752TR    |        |
|   | R 80 | QRD161J-222 | C RESISTOR | CA-D752TR    |        |

BLOCK NO. 02111111

| REF. | PARTS NO.    | PARTS NAME | REMARKS      | SUFFIX |
|------|--------------|------------|--------------|--------|
| R435 | QRD161J-822  | C RESISTOR | 8.2K 5% 1/4W |        |
| R436 | QRD161J-472  | C RESISTOR | 4.7K 5% 1/4W |        |
| R437 | QRD161J-472  | C RESISTOR | 4.7K 5% 1/4W |        |
| R438 | QRD161J-472  | C RESISTOR | 4.7K 5% 1/4W |        |
| R439 | QRD161J-432  | C RESISTOR | 4.3K 5% 1/4W |        |
| R440 | QRD161J-432  | C RESISTOR | 4.3K 5% 1/4W |        |
| R441 | QRD161J-104  | C RESISTOR | 100K 5% 1/4W |        |
| R442 | QRD161J-104  | C RESISTOR | 100K 5% 1/4W |        |
| R443 | QRD167J-113  | C RESISTOR | CA-D702T     |        |
| R444 | QRD167J-113  | C RESISTOR | CA-D702T     |        |
| R445 | QRD161J-303Y | C RESISTOR | 30K 5% 1/4W  |        |
| R446 | QRD161J-303Y | C RESISTOR | 30K 5% 1/4W  |        |
| R447 | QRD161J-153  | C RESISTOR | 15K 5% 1/4W  |        |
| R450 | QRD161J-224  | C RESISTOR | 220K 5% 1/4W |        |
| R453 | QRD161J-104  | C RESISTOR | 100K 5% 1/4W |        |
| R454 | QRD161J-104  | C RESISTOR | 100K 5% 1/4W |        |
| R455 | QRD161J-103  | C RESISTOR | 10K 5% 1/4W  |        |
| R456 | QRD161J-103  | C RESISTOR | 10K 5% 1/4W  |        |
| R457 | QRD167J-562  | C RESISTOR | 5.6K 5% 1/4W |        |
| R458 | QRD161J-752  | C RESISTOR | 7.5K 5% 1/4W |        |
| R459 | QRD161J-472  | C RESISTOR | 4.7K 5% 1/4W |        |
| R460 | QRD161J-472  | C RESISTOR | 4.7K 5% 1/4W |        |
| R461 | QRD161J-221  | C RESISTOR | 220 5% 1/4W  |        |
| R462 | QRD161J-222  | C RESISTOR | 2.2K 5% 1/4W |        |
| R463 | QRD161J-103  | C RESISTOR | 10K 5% 1/4W  |        |
| R464 | QRD161J-103  | C RESISTOR | 10K 5% 1/4W  |        |
| R465 | QRD161J-102  | C RESISTOR | 1.0K 5% 1/4W |        |
| R469 | QRD161J-221  | C RESISTOR | 220 5% 1/4W  |        |
| R470 | QRD161J-221  | C RESISTOR | 220 5% 1/4W  |        |
| R471 | QRD161J-103  | C RESISTOR | 10K 5% 1/4W  |        |
| R472 | QRD161J-103  | C RESISTOR | 10K 5% 1/4W  |        |
| R473 | QRD161J-103  | C RESISTOR | 10K 5% 1/4W  |        |
| R493 | QRD161J-203  | C RESISTOR | 20K 5% 1/4W  |        |
| R494 | QRD161J-203  | C RESISTOR | 20K 5% 1/4W  |        |
| R497 | QRD161J-104  | C RESISTOR | 100K 5% 1/4W |        |
| R498 | QRD161J-104  | C RESISTOR | 100K 5% 1/4W |        |
| R501 | QRD161J-102  | C RESISTOR | SIGNAL IN    |        |
| R502 | QRD161J-102  | C RESISTOR | SIGNAL IN    |        |
| R541 | QRD161J-105  | C RESISTOR | 1.0M 5% 1/4W |        |
| R542 | QRD161J-593  | C RESISTOR | 39K 5% 1/4W  |        |
| R543 | QRD161J-102  | C RESISTOR | 1.0K 5% 1/4W |        |
| R544 | QRD161J-102  | C RESISTOR | 1.0K 5% 1/4W |        |
| R545 | QRD161J-203  | C RESISTOR | 20K 5% 1/4W  |        |
| R546 | QRD161J-473  | C RESISTOR | 47K 5% 1/4W  |        |
| R547 | QRD161J-473  | C RESISTOR | 47K 5% 1/4W  |        |
| R548 | QRD161J-563  | C RESISTOR | 56K 5% 1/4W  |        |
| R549 | QRD161J-563  | C RESISTOR | 56K 5% 1/4W  |        |
| R553 | QRD161J-104  | C RESISTOR | 100K 5% 1/4W |        |
| R554 | QRD161J-104  | C RESISTOR | 100K 5% 1/4W |        |
| R555 | QRD161J-102  | C RESISTOR | 1.0K 5% 1/4W |        |
| R556 | QRD161J-102  | C RESISTOR | 1.0K 5% 1/4W |        |
| R562 | QRD161J-473  | C RESISTOR | 47K 5% 1/4W  |        |
| R563 | QRD161J-103  | C RESISTOR | 10K 5% 1/4W  |        |
| R564 | QRD161J-103  | C RESISTOR | 10K 5% 1/4W  |        |

BLOCK NO. 02111111

| REF.  | PARTS NO.     | PARTS NAME     | REMARKS      | SUFFIX |
|-------|---------------|----------------|--------------|--------|
| R565  | QRD161J-162   | C RESISTOR     | 1.6K 5% 1/4W |        |
| R566  | QRD161J-162   | C RESISTOR     | 1.6K 5% 1/4W |        |
| R567  | QRD161J-104   | C RESISTOR     | 100K 5% 1/4W |        |
| R568  | QRD161J-104   | C RESISTOR     | 100K 5% 1/4W |        |
| R569  | QRD161J-221   | C RESISTOR     | 220 5% 1/4W  |        |
| R570  | QRD161J-221   | C RESISTOR     | 220 5% 1/4W  |        |
| R571  | QRD161J-103   | C RESISTOR     | 10K 5% 1/4W  |        |
| R572  | QRD161J-103   | C RESISTOR     | 10K 5% 1/4W  |        |
| R573  | QRD161J-103   | C RESISTOR     | 10K 5% 1/4W  |        |
| R574  | QRD161J-103   | C RESISTOR     | SIGNAL IN    |        |
| R575  | QRD161J-103   | C RESISTOR     | 10K 5% 1/4W  |        |
| R576  | QRD161J-102   | C RESISTOR     | 1.0K 5% 1/4W |        |
| R577  | QRD161J-102   | C RESISTOR     | 1.0K 5% 1/4W |        |
| R578  | QRD161J-103   | C RESISTOR     | 10K 5% 1/4W  |        |
| R579  | QRD161J-102   | C RESISTOR     | 1.0K 5% 1/4W |        |
| R580  | QRD161J-103   | C RESISTOR     | 10K 5% 1/4W  |        |
| R581  | QRD161J-102   | C RESISTOR     | 1.0K 5% 1/4W |        |
| R582  | QRD161J-102   | C RESISTOR     | 1.0K 5% 1/4W |        |
| R583  | QRD161J-102   | C RESISTOR     | 1.0K 5% 1/4W |        |
| R584  | QRD161J-102   | C RESISTOR     | 1.0K 5% 1/4W |        |
| R585  | QRD161J-102   | C RESISTOR     | 1.0K 5% 1/4W |        |
| R586  | QRD161J-103   | C RESISTOR     | 10K 5% 1/4W  |        |
| R587  | QRD161J-102   | C RESISTOR     | 1.0K 5% 1/4W |        |
| R588  | QRD161J-103   | C RESISTOR     | 10K 5% 1/4W  |        |
| R589  | QRD161J-102   | C RESISTOR     | 1.0K 5% 1/4W |        |
| R590  | QRD161J-223   | C RESISTOR     | 22K 5% 1/4W  |        |
| R591  | QRD161J-223   | C RESISTOR     | 22K 5% 1/4W  |        |
| R593  | QRD161J-102   | C RESISTOR     | 1.0K 5% 1/4W |        |
| R594  | QRD161J-181   | C RESISTOR     | 180 5% 1/4W  |        |
| R595  | QRD161J-181   | C RESISTOR     | 180 5% 1/4W  |        |
| R597  | QRD161J-222   | C RESISTOR     | 4.7K 5% 1/4W |        |
| R599  | QRD161J-222   | C RESISTOR     | 2.2K 5% 1/4W |        |
| T 1   | VGT7A21-113   | IFT            |              |        |
| TU 1  | QAU0034-001   | FRONT END      |              |        |
| X 1   | QAX0402-001   | CRYSTAL        |              |        |
| X 2   | VCX5057-001   | CRYSTAL        |              |        |
| X541  | ECXP8R0-001Z  | RESONATOR I.M  | CA-D752TR    |        |
| CF 3  | VCF4722-115Z  | C FILTER       | X.TAL        |        |
| CF 4  | CMU2-456A05   | CERA LOCK      |              |        |
| CN410 | EMV7171-119   | CONNECTOR      | MAIN-VC3     |        |
| CN411 | GGF1201C3-20  | FFC/FPC CONNE  | FMB-MAIN     |        |
| CN412 | VMC0332-010V  | CONNECTOR      | MAIN-SLC     |        |
| CN413 | VMC0332-016V  | FFC/FPC CONNE  | FMB-MAIN     |        |
| CN414 | EMV7145-005Z  | SOCKET I.M     | CA-D702T     |        |
| CN415 | EMV7145-004Z  | SOCKET I.M     | MAIN-C-BRD   |        |
| CN416 | GGB2510J1-10  | CONNECTOR      | FMH-FMC**    |        |
| CN420 | EMV7163-009   | CONNECTOR      | CA-D752TR    |        |
| CN430 | EMV7145-003Z  | SOCKET I.M     | MAIN VOL     |        |
| EP001 | E409182-001SM | GRAND TERMINAL |              |        |
| IC 1  | TA2057N       | IC             |              |        |
| IC 2  | LC72136N      | IC             |              |        |
| IC 4  | BU1923        | IC(RDS)        | CA-D752TR    |        |
| IC601 | TDA7439       | IC             | MAIN VOL     |        |
| IC602 | BA15218       | IC             |              |        |
| IC603 | BA15218       | IC             | KARAOKE      |        |

■ Electric Parts List (System Micon & Operation Switch P. C. B.)

| REF.  | PARTS NO.     | PARTS NAME   | REMARKS        | SUFFIX |
|-------|---------------|--------------|----------------|--------|
| C 100 | EETC1HM-105E  | E.CAPA. I.M  | CA-D752TR      | EE     |
| C 101 | EETC1HM-335ZE | E.CAPACITOR  | CA-D752TR      | EE     |
| C 103 | QFLC1HJ-1032M | M CAPACITOR  | CA-D752TR      | EE     |
| C 104 | QFLC1HJ-1032M | M CAPACITOR  | CA-D752TR      | EE     |
| C 105 | QCB1HK-271Y   | C CAPACITOR  | CA-D752TR      | EE     |
| C 106 | QCB1HK-271Y   | C CAPACITOR  | CA-D752TR      | EE     |
| C 107 | EETB1HM-475E  | E.CAPA. I.M  | CA-D752TR      | EE     |
| C 108 | EETB1HM-475E  | E.CAPA. I.M  | CA-D752TR      | EE     |
| C 109 | QCXB1CM-222Y  | C CAPACITOR  | CA-D752TR      | EE     |
| C 110 | QCXB1CM-222Y  | C CAPACITOR  | CA-D752TR      | EE     |
| C 111 | QET41AM-226   | E CAPACITOR  | CA-D752TR      | EE     |
| C 112 | QFLM1HJ-822Z  | M CAPACITOR  | CA-D752TR      | EE     |
| C 113 | QFLC1HJ-1032M | M CAPACITOR  | CA-D752TR      | EE     |
| C 114 | QFLC1HJ-1032M | M CAPACITOR  | CA-D752TR      | EE     |
| C 115 | EETB1HM-105E  | E.CAPA. I.M  | CA-D752TR      | EE     |
| C 116 | QETC1HM-225ZM | E.CAPA. I.M  | CA-D752TR      | EE     |
| C 117 | QETC1HM-225ZM | E.CAPA. I.M  | CA-D752TR      | EE     |
| C 118 | EETC1HM-335ZE | E.CAPACITOR  | CA-D752TR      | EE     |
| C 201 | EETB1HM-475E  | E.CAPA. I.M  | CA-D702T       | EE     |
| C 202 | EETB1AM-107E  | E.CAPA. I.M  | CA-D702T       | EE     |
| C 203 | QFV41HJ-1042M | TF CAPACITOR | CA-D702T       | EE     |
| C 204 | QCB1HK-101Y   | C CAPACITOR  | CA-D702T       | EE     |
| C 205 | QCVB1CN-103Y  | C CAPACITOR  | CA-D702T       | EE     |
| C 206 | QCXB1CM-472Y  | C.CAPACITOR  | CA-D702T       | EE     |
| C 207 | EETC1HM-226ZE | E.CAPA. I.M  | CA-D702T       | EE     |
| C 208 | QCVB1CN-103Y  | C CAPACITOR  | CA-D702T       | EE     |
| C 209 | QCXB1CM-332Y  | C CAPACITOR  | CA-D702T       | EE     |
| C 210 | QFV41HJ-474   | CAPACITOR    | CA-D702T       | EE     |
| C 211 | QCVB1CN-103Y  | C CAPACITOR  | CA-D702T       | EE     |
| C 212 | QETC1HM-225ZM | E.CAPA. I.M  | CA-D702T       | EE     |
| C 223 | QCVB1CN-103Y  | C CAPACITOR  | CA-D702T       | EE     |
| C 224 | QCVB1CN-103Y  | C CAPACITOR  | CA-D702T       | EE     |
| C 225 | QET41HM-105   | E CAPACITOR  | CA-D702T       | EE     |
| C 226 | QCB1HK-101Y   | C CAPACITOR  | CA-D702T       | EE     |
| C 227 | QETC1HM-1062M | E.CAPA. I.M  | CA-D702T       | EE     |
| C 228 | QCB1HK-151Y   | C CAPACITOR  | CA-D702T       | EE     |
| C 229 | QCB1HK-561Y   | C CAPACITOR  | CA-D702T       | EE     |
| C 230 | QETC1HM-225ZM | E.CAPA. I.M  | CA-D702T       | EE     |
| C 231 | QCB1HK-102    | C CAPACITOR  | CA-D702T       | EE     |
| C 232 | QCB1HK-102    | C CAPACITOR  | CA-D702T       | EE     |
| C 233 | QCB1HK-102    | C CAPACITOR  | CA-D702T       | EE     |
| C 234 | QCVB1CN-103Y  | C CAPACITOR  | CA-D702T       | EE     |
| C 235 | QFLC1HJ-1032M | M CAPACITOR  | CA-D702T       | EE     |
| C 801 | QCB1HK-102    | C CAPACITOR  | 1000PF 10% 50V | EE     |
| C 802 | QCB1HK-102    | C CAPACITOR  | 1000PF 10% 50V | EE     |
| C 803 | QCS1HJ-220    | C CAPACITOR  | 22PF 5% 50V    | EE     |
| C 804 | QCS1HJ-220    | C CAPACITOR  | 22PF 5% 50V    | EE     |
| C 805 | QCS3HJ-390Z   | C CAPACITOR  | 39PF 5% 50V    | EE     |
| C 806 | QCS3HJ-390Z   | C CAPACITOR  | 39PF 5% 50V    | EE     |
| C 807 | QCS1HJ-220    | C CAPACITOR  | 22PF 5% 50V    | EE     |
| C 808 | QCS1HJ-220    | C CAPACITOR  | 22PF 5% 50V    | EE     |
| C 809 | QEK60JM-227ZM | E.CAPA. I.M  | 220MF 20% 6.3V | EE     |
| C 810 | QEK40JM-227   | E.CAPACITOR  | 220MF 20% 6.3V | EE     |
| C 811 | QER41AM-227N  | E.CAPA. I.M  | 220MF 20% 10V  | EE     |
| C 812 | QCB1HK-102    | C CAPACITOR  | 1000PF 10% 50V | EE     |

| REF.  | PARTS NO. | PARTS NAME | REMARKS | SUFFIX |
|-------|-----------|------------|---------|--------|
| IC404 | TC4052BP  | IC         |         |        |
| IC405 | BA15218   | IC         |         |        |
| IC406 | LA2650    | IC         |         |        |
| IC407 | BA15218   | IC         |         |        |
| IC501 | LA2786    | IC         |         |        |
| IC541 | LV1016    | IC         |         |        |
| IC542 | BA38355   | IC         |         |        |
| IC561 | TDA7439   | IC         |         |        |
| IC562 | BA15218   | IC         |         |        |

BLOCK NO. 03

| REF.  | PARTS NO.       | PARTS NAME     | REMARKS     | SUFFIX |
|-------|-----------------|----------------|-------------|--------|
| D 910 | SLR-342MCA47    | LED I.M        |             |        |
| D 911 | SLR-342MCA47    | LED I.M        |             |        |
| D 912 | SLR-342MCA47    | LED I.M        |             |        |
| D 913 | SLR-342MCA47    | LED I.M        |             |        |
| D 914 | SLR-342MCA47    | LED I.M        |             |        |
| D 915 | SLR-342MCA47    | LED I.M        |             |        |
| D 916 | SLR-342MCA47    | LED I.M        |             |        |
| D 917 | SLR-342MCA47    | LED I.M        |             |        |
| D 918 | SLR-342VC-T     | LED I.M        |             |        |
| D 919 | 1SS133-T2       | DIODE          | CA-D702T    |        |
| D 920 | 1SS133-T2       | DIODE          | CA-D702T    |        |
| D 921 | 1SS133-T2       | DIODE          |             |        |
| D1041 | 1SS133-T2       | DIODE          |             |        |
| D1042 | 1SS133-T2       | DIODE          |             |        |
| FLHOL | GV30005-001AKP  | FL HOLDER      |             |        |
| FLSPA | E3400-439       | FELT SPACER    |             |        |
| FL801 | QLF0040-001     | FL TUBE        | CA-D702T    |        |
| FW202 | EMR350-21LSV    | FLAT WIRE      |             |        |
| FW411 | EMR370-10LS     | FLAT WIRE      |             |        |
| FW801 | VMSC06-093K3K   | EF FLAT WIRE   |             |        |
| FW802 | VMSC06-093K3K   | EF FLAT WIRE   | H-PONE WIRE |        |
| IC 6  | BU4066BC        | IC             | CA-D752TR   | EE     |
| IC 7  | BA15218         | IC             | CA-D752TR   | EE     |
| IC201 | BU9253AS        | IC             | CA-D702T    |        |
| IC202 | BA15218N        | IC             | CA-D702T    |        |
| IC801 | UPD780206GF-039 | IC             |             |        |
| IC802 | NJU3718L        | IC             |             |        |
| IC900 | GPIU261X        | IR DETECT UNIT |             |        |
| J 81  | EMBI0TV-401AJ3  | SPK.TERMINAL   |             |        |
| J 83  | GN0197-001      | PIN JACK       |             |        |
| J 201 | QNS0080-001     | 6.3 JACK       | CA-D702T    |        |
| J 202 | QNS0080-001     | 6.3 JACK       | CA-D702T    |        |
| J 850 | QNS0032-001     | JACK           | HEAD PHONE  |        |
| JS900 | QSW0538-001     | ROTARY ENCODER |             |        |
| L 100 | QGR0522-001     | COIL           | CA-D752TR   | EE     |
| L 801 | QQL29BJ-100Z    | INDUCTOR       |             |        |
| L 802 | VQP0026-470Z    | INDUCTOR       |             |        |
| L 803 | VQP0018-220     | INDUCTOR       |             |        |
| L 804 | VQP0026-470Z    | INDUCTOR       |             |        |
| L 805 | VQP0026-470Z    | INDUCTOR       |             |        |
| L 807 | VQZ0048-009     | INDUCTOR       |             |        |
| L 840 | VQZ0048-009     | INDUCTOR       |             |        |
| L 841 | VQP0018-470     | INDUCTOR       | CA-D752TR   | B,E,EN |
| L 842 | VQP0018-470     | INDUCTOR       | CA-D752TR   | B,E,EN |
| PW 3  | FMWES30-124KNT  | TRANSISTOR     | CA-D702T    | EE     |
| Q 100 | 2SC2785         | D.TR.I.M       | CA-D752TR   | EE     |
| Q 101 | DTC144ESA-T     | TRANSISTOR     | CA-D752TR   | EE     |
| Q 102 | 2SC3785         | D.TRANSISTOR   | CA-D752TR   | EE     |
| Q 200 | DTC114ESA-T     | D.TRANSISTOR   | CA-D702T    |        |
| Q 801 | 2SC2668(O)      | TRANSISTOR     |             |        |
| Q 802 | 2SC2668(O)      | TRANSISTOR     |             |        |
| Q 803 | DTA114ES        | D.TRANSISTOR   |             |        |
| Q 804 | DTC114ESA-T     | D.TRANSISTOR   |             |        |
| Q 805 | DTC114ESA-T     | D.TRANSISTOR   |             |        |

BLOCK NO. 03

| REF.  | PARTS NO.     | PARTS NAME    | REMARKS             | SUFFIX |
|-------|---------------|---------------|---------------------|--------|
| C 814 | QCB1HK-221Y   | C CAPACITOR   | 220PF 10% 50V       |        |
| C 815 | QCB1HK-221Y   | C CAPACITOR   | 220PF 10% 50V       |        |
| C 816 | QFV71HJ-124ZM | TF CAPACITOR  | .12MF 5% 50V        |        |
| C 821 | QETN1HM-226Z  | E CAPACITOR   | 22MF 20% 50V        |        |
| C 822 | QETN1HM-226Z  | E CAPACITOR   | 22MF 20% 10V        |        |
| C 840 | QFLB1HJ-222   | M CAPACITOR   | CA-D752TR           | B,E,EN |
| C 841 | QCB1HK-102    | C CAPACITOR   | 1000PF 10% 50V      |        |
| C 842 | QCB1HK-102    | C CAPACITOR   | 1000PF 20% 16V      |        |
| C 843 | QCB1HK-102    | C CAPACITOR   | 1000PF 10% 50V      |        |
| C 844 | QCB1HK-102    | C CAPACITOR   | 1000PF 10% 50V      |        |
| C 845 | QCB1HK-102    | C CAPACITOR   | 1000PF 10% 50V      | EE     |
| C 845 | QCB1HK-102    | C CAPACITOR   | 1000PF 10% 50V      | EE     |
| C 900 | QCVB1CN-103Y  | C CAPACITOR   | .010MF 30% 16V      |        |
| C 901 | QCVB1CN-103Y  | C CAPACITOR   | .010MF 30% 16V      |        |
| C 902 | QCB1HK-102    | C CAPACITOR   | 1000PF 10% 50V      |        |
| C 903 | QER50JM-476   | E.CAPA. I.M   | 47MF 20% 6.5V       |        |
| CN015 | EMV5163-011R  | CONNECTOR     | CA-D752TR           | EE     |
| CN421 | EMV5163-009R  | CONNECTOR     | MAIN AMP            |        |
| CN713 | EMV7163-007   | CONNECTOR     | SURROUND AMP        |        |
| CN714 | EMV7163-006   | CONNECTOR     |                     |        |
| CN801 | QGF1201F3-20  | FFC/FPC CONNE |                     |        |
| CN802 | VMC0163-16    | CONNECTOR     |                     |        |
| CN803 | EMV7160-011   | CONNECTOR     |                     |        |
| CN804 | VMC0332-R12   | C CAPACITOR   |                     |        |
| C1050 | QCVB1CN-103Y  | C CAPACITOR   | .010MF 30% 16V      |        |
| C1051 | QFV1HJ-104ZM  | TF CAPACITOR  | CA-D752TR           | B,E,EN |
| C1052 | QFLC1HJ-683ZM | TF CAPACITOR  | CA-D752TR           | B,E,EN |
| C1053 | QCB1CM-222Y   | C CAPACITOR   | 2200PF 20% 16V      |        |
| C1054 | QCB1CM-222Y   | C CAPACITOR   | 2200PF 20% 16V      |        |
| C1055 | QFLC1HJ-393ZM | M CAPACITOR   | .039MF 5% 50V       |        |
| C1056 | QFLC1HJ-393ZM | M CAPACITOR   | .039MF 5% 50V       |        |
| C1057 | QCFB1HZ-223   | C CAPACITOR   | .022MF +80:-20% 50V |        |
| C1058 | QCFB1HZ-223   | C CAPACITOR   | .022MF +80:-20% 50V |        |
| C1059 | QFLC1HJ-393ZM | M CAPACITOR   | .039MF 5% 50V       |        |
| D 100 | MA700         | ZENER DIODE   | CA-D752TR           | EE     |
| D 101 | MA700         | ZENER DIODE   | CA-D752TR           | EE     |
| D 110 | 1SS133        | SI DIODE      | CA-D752TR           | EE     |
| D 111 | 1SS133        | SI DIODE      | CA-D752TR           | EE     |
| D 200 | MT25-1B       | ZENER DIODE   | CA-D702T            |        |
| D 801 | 1SS133-T2     | DIODE         |                     |        |
| D 802 | 1SS119-02     | SI DIODE      |                     |        |
| D 803 | 1SS119-02     | SI DIODE      |                     |        |
| D 804 | 1SS119-02     | SI DIODE      |                     |        |
| D 805 | 1SS133-T2     | DIODE         |                     |        |
| D 806 | SLR-342VC-T   | LED I.M       |                     |        |
| D 807 | SLR-342MCA47  | LED I.M       |                     |        |
| D 808 | SLR-342MCA47  | LED I.M       |                     |        |
| D 809 | SLR-342MCA47  | LED I.M       |                     |        |
| D 810 | SLR-342MCA47  | LED I.M       |                     |        |
| D 811 | SLR-342MCA47  | LED I.M       |                     |        |
| D 812 | SLR-342MCA47  | LED I.M       |                     |        |
| D 813 | SLR-342MCA47  | LED I.M       |                     |        |
| D 820 | 1SS133-T2     | DIODE         |                     |        |

BLOCK NO. 03111111

| A | REF.  | PARTS NO.   | PARTS NAME | REMARKS      | SUFFIX |
|---|-------|-------------|------------|--------------|--------|
|   | R 804 | GRD161J-472 | C RESISTOR | 4.7K 5% 1/4W |        |
|   | R 805 | GRD161J-105 | C RESISTOR | 1.0K 5% 1/4W |        |
|   | R 806 | GRD161J-224 | C RESISTOR | 220K 5% 1/4W |        |
|   | R 807 | GRD161J-201 | C.RES. I.M | 200 5% 1/4W  |        |
|   | R 808 | GRD161J-201 | C.RES. I.M | 200 5% 1/4W  |        |
|   | R 809 | GRD161J-201 | C.RES. I.M | 200 5% 1/4W  |        |
|   | R 810 | GRD161J-201 | C.RES. I.M | 200 5% 1/4W  |        |
|   | R 811 | GRD161J-201 | C.RES. I.M | 200 5% 1/4W  |        |
|   | R 812 | GRD161J-201 | C.RES. I.M | 200 5% 1/4W  |        |
|   | R 813 | GRD161J-201 | C.RES. I.M | 200 5% 1/4W  |        |
|   | R 815 | GRD161J-331 | C RESISTOR | 330 5% 1/4W  |        |
|   | R 816 | GRD167J-121 | C RESISTOR | 120 5% 1/4W  |        |
|   | R 817 | GRD161J-102 | C RESISTOR | 1.0K 5% 1/4W |        |
|   | R 818 | GRD161J-102 | C RESISTOR | 1.0K 5% 1/4W |        |
|   | R 819 | GRD161J-102 | C RESISTOR | 1.0K 5% 1/4W |        |
|   | R 820 | GRD161J-102 | C RESISTOR | 1.0K 5% 1/4W |        |
|   | R 821 | GRD161J-472 | C RESISTOR | 4.7K 5% 1/4W |        |
|   | R 822 | GRD161J-103 | C RESISTOR | 10K 5% 1/4W  |        |
|   | R 823 | GRD161J-103 | C RESISTOR | 10K 5% 1/4W  |        |
|   | R 824 | GRD161J-103 | C RESISTOR | 10K 5% 1/4W  |        |
|   | R 827 | GRD161J-563 | C RESISTOR | 56K 5% 1/4W  |        |
|   | R 828 | GRD161J-154 | C RESISTOR | 150K 5% 1/4W |        |
|   | R 829 | GRD161J-103 | C RESISTOR | CA-D702T     |        |
|   | R 847 | GRD161J-102 | C RESISTOR | 1.0K 5% 1/4W |        |
|   | R 848 | GRD161J-102 | C RESISTOR | 1.0K 5% 1/4W |        |
|   | R 856 | GRD161J-102 | C RESISTOR | 1.0K 5% 1/4W |        |
|   | R 857 | GRD161J-102 | C RESISTOR | 1.0K 5% 1/4W |        |
|   | R 860 | GRD161J-104 | C RESISTOR | 100K 5% 1/4W |        |
|   | R 861 | GRD161J-104 | C RESISTOR | 100K 5% 1/4W |        |
|   | R 862 | GRD161J-102 | C RESISTOR | 1.0K 5% 1/4W |        |
|   | R 863 | GRD161J-104 | C RESISTOR | 100K 5% 1/4W |        |
|   | R 864 | GRD161J-102 | C RESISTOR | 1.0K 5% 1/4W |        |
|   | R 865 | GRD161J-102 | C RESISTOR | 1.0K 5% 1/4W |        |
|   | R 866 | GRD161J-104 | C RESISTOR | 100K 5% 1/4W |        |
|   | R 867 | GRD161J-104 | C RESISTOR | 100K 5% 1/4W |        |
|   | R 868 | GRD161J-104 | C RESISTOR | 100K 5% 1/4W |        |
|   | R 872 | GRD161J-103 | C RESISTOR | 10K 5% 1/4W  |        |
|   | R 874 | GRD161J-103 | C RESISTOR | 10K 5% 1/4W  |        |
|   | R 875 | GRD161J-103 | C RESISTOR | 10K 5% 1/4W  |        |
|   | R 877 | GRD161J-563 | C RESISTOR | 56K 5% 1/4W  |        |
|   | R 878 | GRD161J-103 | C RESISTOR | 10K 5% 1/4W  |        |
|   | R 879 | GRD161J-103 | C RESISTOR | 10K 5% 1/4W  |        |
|   | R 880 | GRD161J-103 | C RESISTOR | 10K 5% 1/4W  |        |
|   | R 881 | GRD161J-104 | C RESISTOR | 100K 5% 1/4W |        |
|   | R 882 | GRD161J-103 | C RESISTOR | 10K 5% 1/4W  |        |
|   | R 883 | GRD161J-103 | C RESISTOR | 10K 5% 1/4W  |        |
|   | R 884 | GRD161J-103 | C RESISTOR | 10K 5% 1/4W  |        |
|   | R 885 | GRD161J-103 | C RESISTOR | 10K 5% 1/4W  |        |
|   | R 886 | GRD161J-224 | C RESISTOR | 220K 5% 1/4W |        |
|   | R 887 | GRD161J-563 | C RESISTOR | 56K 5% 1/4W  |        |
|   | R 900 | GRD161J-103 | C RESISTOR | 10K 5% 1/4W  |        |
|   | R 901 | GRD161J-103 | C RESISTOR | 10K 5% 1/4W  |        |
|   | R 910 | GRD161J-201 | C.RES. I.M | 200 5% 1/4W  |        |
|   | R 911 | GRD161J-201 | C.RES. I.M | 200 5% 1/4W  |        |
|   | R 912 | GRD161J-201 | C.RES. I.M | 200 5% 1/4W  |        |

BLOCK NO. 03111111

| A | REF.  | PARTS NO.   | PARTS NAME   | REMARKS      | SUFFIX |
|---|-------|-------------|--------------|--------------|--------|
|   | Q 806 | DT114ESA-T  | D.TRANSISTOR |              |        |
|   | Q 807 | DT114ESA-T  | D.TRANSISTOR |              |        |
|   | Q 808 | DT114ESA-T  | D.TRANSISTOR |              |        |
|   | Q 809 | 2SC2785     | D.TR.I.M     | CA-D702T     |        |
|   | Q 810 | DT114TSA-T  | D.TR.I.M     | CA-D702T     |        |
|   | Q 811 | DT114TSA-T  | D.TR.I.M     |              |        |
|   | Q 910 | DT114ESA-T  | D.TRANSISTOR |              |        |
|   | Q 912 | DT114ESA-T  | D.TRANSISTOR |              |        |
|   | Q 914 | DT114ESA-T  | D.TRANSISTOR |              |        |
|   | Q 916 | DT114ESA-T  | D.TRANSISTOR |              |        |
|   | R 100 | GRD161J-822 | C RESISTOR   | CA-D752TR    | EE     |
|   | R 101 | GRD161J-563 | C RESISTOR   | CA-D752TR    | EE     |
|   | R 102 | GRD161J-103 | C RESISTOR   | CA-D752TR    | EE     |
|   | R 103 | GRD161J-563 | C RESISTOR   | CA-D752TR    | EE     |
|   | R 104 | GRD167J-682 | C RESISTOR   | CA-D752TR    | EE     |
|   | R 105 | GRD161J-184 | C RESISTOR   | CA-D752TR    | EE     |
|   | R 106 | GRD161J-224 | C RESISTOR   | CA-D752TR    | EE     |
|   | R 107 | GRD161J-513 | C RESISTOR   | CA-D752TR    | EE     |
|   | R 109 | GRD161J-224 | C RESISTOR   | CA-D752TR    | EE     |
|   | R 110 | GRD161J-224 | C RESISTOR   | CA-D752TR    | EE     |
|   | R 111 | GRD161J-223 | C RESISTOR   | CA-D752TR    | EE     |
|   | R 112 | GRD161J-123 | C RESISTOR   | CA-D752TR    | EE     |
|   | R 113 | GRD161J-103 | C RESISTOR   | CA-D752TR    | EE     |
|   | R 114 | GRD161J-103 | C RESISTOR   | CA-D752TR    | EE     |
|   | R 115 | GRD161J-103 | C RESISTOR   | CA-D752TR    | EE     |
|   | R 116 | GRD161J-333 | C RESISTOR   | CA-D752TR    | EE     |
|   | R 117 | GRD161J-473 | C RESISTOR   | CA-D752TR    | EE     |
|   | R 118 | GRD161J-473 | C RESISTOR   | CA-D752TR    | EE     |
|   | R 200 | GRD161J-472 | C RESISTOR   | CA-D702T     |        |
|   | R 201 | GRD161J-472 | C RESISTOR   | CA-D702T     |        |
|   | R 210 | GRD161J-123 | C RESISTOR   | CA-D702T     |        |
|   | R 211 | GRD161J-333 | C RESISTOR   | CA-D702T     |        |
|   | R 212 | GRD161J-333 | C RESISTOR   | CA-D702T     |        |
|   | R 213 | GRD161J-103 | C RESISTOR   | CA-D702T     |        |
|   | R 214 | GRD161J-203 | C RESISTOR   | CA-D702T     |        |
|   | R 215 | GRD161J-822 | C RESISTOR   | CA-D702T     |        |
|   | R 216 | GRD161J-203 | C RESISTOR   | CA-D702T     |        |
|   | R 217 | GRD161J-153 | C RESISTOR   | CA-D702T     |        |
|   | R 218 | GRD161J-103 | C RESISTOR   | CA-D702T     |        |
|   | R 219 | GRD161J-472 | C RESISTOR   | CA-D702T     |        |
|   | R 220 | GRD161J-392 | C RESISTOR   | CA-D702T     |        |
|   | R 224 | GRD161J-221 | C RESISTOR   | CA-D702T     |        |
|   | R 225 | GRD161J-103 | C RESISTOR   | CA-D702T     |        |
|   | R 226 | GRD161J-203 | C RESISTOR   | CA-D702T     |        |
|   | R 227 | GRD161J-102 | C RESISTOR   | CA-D702T     |        |
|   | R 228 | GRD161J-331 | C RESISTOR   | CA-D702T     |        |
|   | R 230 | GRD161J-104 | C RESISTOR   | CA-D702T     |        |
|   | R 234 | GRD161J-104 | C RESISTOR   | CA-D702T     |        |
|   | R 236 | GRD161J-221 | C RESISTOR   | CA-D702T     |        |
|   | R 239 | GRD161J-152 | C RESISTOR   | CA-D702T     |        |
|   | R 240 | GRD161J-391 | C RESISTOR   | CA-D702T     |        |
|   | R 801 | GRD161J-823 | C RESISTOR   | CA-D702T     |        |
|   | R 802 | GRD161J-103 | C RESISTOR   | 10K 5% 1/4W  |        |
|   | R 803 | GRD161J-472 | C RESISTOR   | 4.7K 5% 1/4W |        |

BLOCK NO. 03111111

| REF.  | PARTS NO.    | PARTS NAME | REMARKS | SUFFIX |
|-------|--------------|------------|---------|--------|
| S 955 | OSW0674-001Z | TACT SW    |         |        |
| S 956 | OSW0674-001Z | TACT SW    |         |        |
| S 957 | OSW0674-001Z | TACT SW    |         |        |
| S 958 | OSW0674-001Z | TACT SW    |         |        |
| S 959 | OSW0674-001Z | TACT SW    |         |        |
| S 960 | OSW0674-001Z | TACT SW    |         |        |
| S 961 | OSW0674-001Z | TACT SW    |         |        |
| S 962 | OSW0674-001Z | TACT SW    |         |        |
| S 963 | OSW0674-001Z | TACT SW    |         |        |
| S 964 | OSW0674-001Z | TACT SW    |         |        |
| S 965 | OSW0674-001Z | TACT SW    |         |        |
| S 966 | OSW0674-001Z | TACT SW    |         |        |
| S 967 | OSW0674-001Z | TACT SW    |         |        |
| S 968 | OSW0674-001Z | TACT SW    |         |        |
| S 969 | OSW0674-001Z | TACT SW    |         |        |
| S 970 | OSW0674-001Z | TACT SW    |         |        |
| S 971 | OSW0674-001Z | TACT SW    |         |        |
| S 972 | OSW0674-001Z | TACT SW    |         |        |
| S 973 | OSW0674-001Z | TACT SW    |         |        |
| S 974 | OSW0674-001Z | TACT SW    |         |        |
| S 975 | OSW0674-001Z | TACT SW    |         |        |
| S 976 | OSW0674-001Z | TACT SW    |         |        |
| S 977 | OSW0674-001Z | TACT SW    |         |        |
| S 978 | OSW0674-001Z | TACT SW    |         |        |
| S 979 | OSW0674-001Z | TACT SW    |         |        |
| S 980 | OSW0674-001Z | TACT SW    |         |        |
| S 981 | OSW0674-001Z | TACT SW    |         |        |
| S 982 | OSW0674-001Z | TACT SW    |         |        |
| S 983 | OSW0674-001Z | TACT SW    |         |        |
| S 984 | OSW0674-001Z | TACT SW    |         |        |
| S 985 | OSW0674-001Z | TACT SW    |         |        |
| SP801 | VYH7653-001  | IC HOLDER  |         |        |
| VR100 | GVPA601-103A | V.RES. I.M |         |        |
| VR200 | GVQ0045-B54  | V RESISTOR |         |        |
| X 801 | QAX0410-001Z | CERA LOCK  |         |        |
| X 802 | GAX0401-001  | CRYSTAL    |         |        |

BLOCK NO. 03111111

| REF.  | PARTS NO.     | PARTS NAME | REMARKS      | SUFFIX |
|-------|---------------|------------|--------------|--------|
| R 913 | GRD161J-201   | C.RES. I.M | 200 5% 1/4W  |        |
| R 914 | GRD161J-201   | C.RES. I.M | 200 5% 1/4W  |        |
| R 915 | GRD161J-201   | C.RES. I.M | 200 5% 1/4W  |        |
| R 916 | GRD161J-201   | C.RES. I.M | 200 5% 1/4W  |        |
| R 917 | GRD161J-201   | C.RES. I.M | 200 5% 1/4W  |        |
| R 951 | GRD161J-102   | C RESISTOR | 1.0K 5% 1/4W |        |
| R 952 | GRD161J-102   | C RESISTOR | 1.0K 5% 1/4W |        |
| R 953 | GRD161J-122   | C RESISTOR | 1.2K 5% 1/4W |        |
| R 954 | GRD161J-152   | C RESISTOR | 1.5K 5% 1/4W |        |
| R 955 | GRD161J-222   | C RESISTOR | 2.2K 5% 1/4W |        |
| R 956 | GRD161J-272   | C RESISTOR | 2.7K 5% 1/4W |        |
| R 957 | GRD161J-392   | C RESISTOR | 3.9K 5% 1/4W |        |
| R 958 | GRD161J-562   | C RESISTOR | 5.6K 5% 1/4W |        |
| R 959 | GRD161J-103   | C RESISTOR | 10K 5% 1/4W  |        |
| R 960 | GRD161J-183Y  | C RESISTOR | 18K 5% 1/4W  |        |
| R 961 | GRD161J-102   | C RESISTOR | 1.0K 5% 1/4W |        |
| R 962 | GRD161J-102   | C RESISTOR | 1.0K 5% 1/4W |        |
| R 963 | GRD161J-562   | C RESISTOR | 5.6K 5% 1/4W |        |
| R 964 | GRD161J-103   | C RESISTOR | 10K 5% 1/4W  |        |
| R 965 | GRD161J-122   | C RESISTOR | 1.2K 5% 1/4W |        |
| R 966 | GRD161J-152   | C RESISTOR | 1.5K 5% 1/4W |        |
| R 967 | GRD161J-222   | C RESISTOR | 2.2K 5% 1/4W |        |
| R 968 | GRD161J-272   | C RESISTOR | 2.7K 5% 1/4W |        |
| R 969 | GRD161J-392   | C RESISTOR | 3.9K 5% 1/4W |        |
| R 970 | GRD161J-102   | C RESISTOR | 1.0K 5% 1/4W |        |
| R 971 | GRD161J-102   | C RESISTOR | 1.0K 5% 1/4W |        |
| R 972 | GRD161J-122   | C RESISTOR | 1.2K 5% 1/4W |        |
| R 973 | GRD161J-152   | C RESISTOR | 1.5K 5% 1/4W |        |
| R 974 | GRD161J-222   | C RESISTOR | 2.2K 5% 1/4W |        |
| R 975 | GRD161J-272   | C RESISTOR | 2.7K 5% 1/4W |        |
| R 976 | GRD161J-392   | C RESISTOR | 3.9K 5% 1/4W |        |
| R 977 | GRD161J-562   | C RESISTOR | 5.6K 5% 1/4W |        |
| R 978 | GRD161J-103   | C RESISTOR | 10K 5% 1/4W  |        |
| R 979 | GRD161J-102   | C RESISTOR | 1.0K 5% 1/4W |        |
| R 980 | GRD161J-102   | C RESISTOR | 1.0K 5% 1/4W |        |
| R 981 | GRD161J-122   | C RESISTOR | 1.2K 5% 1/4W |        |
| R 982 | GRD161J-152   | C RESISTOR | 1.5K 5% 1/4W |        |
| R 983 | GRD161J-222   | C RESISTOR | 2.2K 5% 1/4W |        |
| R 984 | GRD161J-272   | C RESISTOR | 2.7K 5% 1/4W |        |
| R 985 | GRD161J-392   | C RESISTOR | 3.9K 5% 1/4W |        |
| R 990 | GRD161J-673   | C RESISTOR | 470K 5% 1/4W |        |
| R 991 | GRD161J-823   | C RESISTOR | CA-D752TR    |        |
| R 991 | GRD161J-333   | C RESISTOR | CA-D702T     |        |
| R 992 | GRD161J-183Y  | C RESISTOR | 18K 5% 1/4W  |        |
| R 993 | GRD161J-183Y  | C RESISTOR | 18K 5% 1/4W  |        |
| RA801 | GRB169J-104   | R-NETWORK  | 100K 5% 1/6W |        |
| RA802 | GRB169J-104   | R-NETWORK  | 100K 5% 1/6W |        |
| RY 1  | ESK7D24-212J4 | RELAY      |              |        |
| RY 2  | ESK7D24-212J4 | RELAY      |              |        |
| R1051 | GRD14CJ-6R7SX | C RESISTOR | 4.7 5% 1/4W  |        |
| R1052 | GRD14CJ-6R7SX | C RESISTOR | 4.7 5% 1/4W  |        |
| S 951 | OSW0674-001Z  | TACT SW    |              |        |
| S 952 | OSW0674-001Z  | TACT SW    |              |        |
| S 953 | OSW0674-001Z  | TACT SW    |              |        |
| S 954 | OSW0674-001Z  | TACT SW    |              |        |

■Electrical Parts List (CD Servo Control P.C.B.)

| △ | Item  | Parts Number    | Description        | Area |
|---|-------|-----------------|--------------------|------|
|   |       | I. C. S         |                    |      |
|   | IC251 | UPD78055GCA28   | I. C.              |      |
|   | IC601 | AN8806SB        | IC (MONO-ANA)      |      |
|   | IC651 | MN35510         | IC (DIGI-MOS)      |      |
|   | IC801 | BA6897FP-W      | IC (MONO-ANA)      |      |
|   | IC851 | TAB409S         | IC (MONO-ANA)      |      |
|   | IC852 | TAB409S         | IC (MONO-ANA)      |      |
|   |       | TRANSISTORS     |                    |      |
|   | Q291  | 2SB1357/EF/-T   | SI TRANSISTOR      |      |
|   | Q631  | 2SA1037AK/RS/-X | SI TRANSISTOR      |      |
|   | Q842  | DTA144ES-T      | DIGI TRANSISTOR    |      |
|   |       | CAPACITORS      |                    |      |
|   | C251  | NCS21HJ-100X    | 10PF 50V CER. C    |      |
|   | C252  | NCS21HJ-100X    | 10PF 50V CER. C    |      |
|   | C253  | NCB21EK-104X    | 0.1MF 25V CER. C   |      |
|   | C254  | QERF1AM-476Z    | 47MF 10V AL. E. C  |      |
|   | C281  | NCB21HK-223X    | 0.022MF 50V CER. C |      |
|   | C291  | QERF1AM-476Z    | 47MF 10V AL. E. C  |      |
|   | C601  | NCB21HK-102X    | 1000PF 50V CER. C  |      |
|   | C602  | NCB21HK-102X    | 1000PF 50V CER. C  |      |
|   | C603  | NCB21HK-223X    | 0.022MF 50V CER. C |      |
|   | C604  | NCB21HK-223X    | 0.022MF 50V CER. C |      |
|   | C605  | NCS21HJ-271X    | 270PF 50V CER. C   |      |
|   | C606  | NCS21HJ-470X    | 47PF 50V CER. C    |      |
|   | C607  | NCB21HK-223X    | 0.022MF 50V CER. C |      |
|   | C608  | NCB21HK-223X    | 0.022MF 50V CER. C |      |
|   | C609  | NCB21HK-102X    | 1000PF 50V CER. C  |      |
|   | C610  | NCB21EK-104X    | 0.1MF 25V CER. C   |      |
|   | C611  | NCB21EK-104X    | 0.1MF 25V CER. C   |      |
|   | C612  | QER41HM-105     | 1MF 50V AL. E. C   |      |
|   | C613  | NCS21HJ-101X    | 100PF 50V CER. C   |      |
|   | C614  | NCB21HK-273X    | 0.027MF 50V CER. C |      |
|   | C615  | NCB21HK-472X    | 4700PF 50V CER. C  |      |
|   | C616  | NCB21HK-103X    | 0.01MF 50V CER. C  |      |
|   | C617  | NCS21HJ-331X    | 330PF 50V CER. C   |      |
|   | C621  | NCB21EK-104X    | 0.1MF 25V CER. C   |      |
|   | C623  | NCF21CZ-105X    | 1MF 16V CER. C     |      |
|   | C624  | QER41AM-107     | 100MF 10V AL. E. C |      |
|   | C631  | QER41CM-106     | 10MF 16V AL. E. C  |      |
|   | C632  | NCF21CZ-105X    | 1MF 16V CER. C     |      |
|   | C633  | NCB21HK-223X    | 0.022MF 50V CER. C |      |
|   | C651  | NCS21HJ-120X    | 12PF 50V CER. C    |      |
|   | C652  | NCS21HJ-150X    | 15PF 50V CER. C    |      |
|   | C653  | NCB21EK-104X    | 0.1MF 25V CER. C   |      |
|   | C654  | NCB21HK-223X    | 0.022MF 50V CER. C |      |
|   | C655  | QER41AM-227     | 220MF 10V AL. E. C |      |
|   | C656  | NCB21EK-104X    | 0.1MF 25V CER. C   |      |
|   | C657  | NCB21HK-222X    | 2200PF 50V CER. C  |      |
|   | C658  | NCB21HK-222X    | 2200PF 50V CER. C  |      |
|   | C661  | NCB21EK-104X    | 0.1MF 25V CER. C   |      |
|   | C662  | QER41AM-107     | 100MF 10V AL. E. C |      |
|   | C663  | NCB21EK-104X    | 0.1MF 25V CER. C   |      |
|   | C664  | NCB21HK-223X    | 0.022MF 50V CER. C |      |
|   | C665  | NCB21HK-223X    | 0.022MF 50V CER. C |      |
|   | C666  | NCS21HJ-471X    | 470PF 50V CER. C   |      |
|   | C667  | NCF21CZ-105X    | 1MF 16V CER. C     |      |
|   | C668  | NCB21HK-473X    | 0.047MF 50V CER. C |      |
|   | C671  | NCB21EK-104X    | 0.1MF 25V CER. C   |      |
|   | C672  | QER41AM-107     | 100MF 10V AL. E. C |      |
|   | C801  | NCB21HK-103X    | 0.01MF 50V CER. C  |      |
|   | C802  | NCB21HK-103X    | 0.01MF 50V CER. C  |      |
|   | C811  | NCS21HJ-101X    | 100PF 50V CER. C   |      |
|   | C812  | NCS21HJ-101X    | 100PF 50V CER. C   |      |
|   | C813  | NCS21HJ-101X    | 100PF 50V CER. C   |      |
|   | C814  | NCS21HJ-101X    | 100PF 50V CER. C   |      |
|   | C821  | NCF21CZ-105X    | 100PF 50V CER. C   |      |

| △ | Item | Parts Number | Description        | Area |
|---|------|--------------|--------------------|------|
|   | C822 | QER41AM-227  | 220MF 10V AL. E. C |      |
|   | C851 | QER41CM-106  | 10MF 16V AL. E. C  |      |
|   | C852 | QER41CM-106  | 10MF 16V AL. E. C  |      |
|   | C855 | NCB21EK-104X | 0.1MF 25V CER. C   |      |
|   | C859 | NCF21CZ-105X | 1MF 16V CER. C     |      |
|   | C860 | NCF21CZ-105X | 1MF 16V CER. C     |      |
|   |      | RESISTORS    |                    |      |
|   | R251 | NRSA02J-102X | M. G. RESISTOR     |      |
|   | R252 | NRSA02J-102X | M. G. RESISTOR     |      |
|   | R253 | NRSA02J-102X | M. G. RESISTOR     |      |
|   | R254 | NRSA02J-102X | M. G. RESISTOR     |      |
|   | R255 | NRSA02J-102X | M. G. RESISTOR     |      |
|   | R256 | NRSA02J-102X | M. G. RESISTOR     |      |
|   | R257 | NRSA02J-102X | M. G. RESISTOR     |      |
|   | R258 | NRSA02J-102X | M. G. RESISTOR     |      |
|   | R259 | NRSA02J-101X | M. G. RESISTOR     |      |
|   | R260 | NRSA02J-102X | M. G. RESISTOR     |      |
|   | R261 | NRSA02J-102X | M. G. RESISTOR     |      |
|   | R262 | NRSA02J-102X | M. G. RESISTOR     |      |
|   | R263 | NRSA02J-102X | M. G. RESISTOR     |      |
|   | R264 | NRSA02J-102X | M. G. RESISTOR     |      |
|   | R265 | NRSA02J-223X | M. G. RESISTOR     |      |
|   | R266 | NRSA02J-102X | M. G. RESISTOR     |      |
|   | R267 | NRSA02J-102X | M. G. RESISTOR     |      |
|   | R268 | NRSA02J-102X | M. G. RESISTOR     |      |
|   | R269 | NRSA02J-102X | M. G. RESISTOR     |      |
|   | R270 | NRSA02J-223X | M. G. RESISTOR     |      |
|   | R271 | NRSA02J-223X | M. G. RESISTOR     |      |
|   | R272 | NRSA02J-223X | M. G. RESISTOR     |      |
|   | R273 | NRSA02J-223X | M. G. RESISTOR     |      |
|   | R274 | NRSA02J-102X | M. G. RESISTOR     |      |
|   | R275 | NRSA02J-102X | M. G. RESISTOR     |      |
|   | R276 | NRSA02J-102X | M. G. RESISTOR     |      |
|   | R277 | NRSA02J-102X | M. G. RESISTOR     |      |
|   | R278 | NRSA02J-102X | M. G. RESISTOR     |      |
|   | R279 | NRSA02J-102X | M. G. RESISTOR     |      |
|   | R281 | NRSA02J-102X | M. G. RESISTOR     |      |
|   | R282 | NRSA02J-102X | M. G. RESISTOR     |      |
|   | R283 | NRSA02J-102X | M. G. RESISTOR     |      |
|   | R284 | NRSA02J-102X | M. G. RESISTOR     |      |
|   | R285 | NRSA02J-102X | M. G. RESISTOR     |      |
|   | R286 | NRSA02J-102X | M. G. RESISTOR     |      |
|   | R287 | NRSA02J-102X | M. G. RESISTOR     |      |
|   | R288 | NRSA02J-102X | M. G. RESISTOR     |      |
|   | R289 | NRSA02J-223X | M. G. RESISTOR     |      |
|   | R291 | NRSA02J-122X | M. G. RESISTOR     |      |
|   | R292 | NRSA02J-103X | M. G. RESISTOR     |      |
|   | R293 | NRSA02J-102X | M. G. RESISTOR     |      |
|   | R601 | NRSA02J-274X | M. G. RESISTOR     |      |
|   | R602 | NRSA02J-154X | M. G. RESISTOR     |      |
|   | R603 | NRSA02J-273X | M. G. RESISTOR     |      |
|   | R604 | NRSA02J-114X | M. G. RESISTOR     |      |
|   | R605 | NRSA02J-104X | M. G. RESISTOR     |      |
|   | R606 | NRSA02J-473X | M. G. RESISTOR     |      |
|   | R607 | NRSA02J-822X | M. G. RESISTOR     |      |
|   | R611 | NRSA02J-123X | M. G. RESISTOR     |      |
|   | R612 | NRSA02J-125X | M. G. RESISTOR     |      |
|   | R631 | NRSA02J-2R2X | M. G. RESISTOR     |      |
|   | R632 | NRSA02J-100X | M. G. RESISTOR     |      |
|   | R634 | NRSA02J-120X | M. G. RESISTOR     |      |
|   | R635 | NRSA02J-121X | M. G. RESISTOR     |      |
|   | R636 | NRSA02J-910X | M. G. RESISTOR     |      |
|   | R651 | NRSA02J-271X | M. G. RESISTOR     |      |
|   | R652 | NRSA02J-220X | M. G. RESISTOR     |      |
|   | R657 | NRSA02J-102X | M. G. RESISTOR     |      |
|   | R658 | NRSA02J-102X | M. G. RESISTOR     |      |



■Electrical Parts List(CD Servo Control P.C.B.)

| △ | Item | Parts Number | Description     | Area |
|---|------|--------------|-----------------|------|
|   | R661 | NRSA02J-220X | M. G. RESISITOR |      |
|   | R662 | NRSA02J-471X | M. G. RESISITOR |      |
|   | R663 | NRSA02J-124X | M. G. RESISITOR |      |
|   | R665 | NRSA02J-683X | M. G. RESISITOR |      |
|   | R666 | NRSA02J-155X | M. G. RESISITOR |      |
|   | R667 | NRSA02J-562X | M. G. RESISITOR |      |
|   | R671 | NRSA02J-102X | M. G. RESISITOR |      |
|   | R672 | NRSA02J-102X | M. G. RESISITOR |      |
|   | R673 | NRSA02J-102X | M. G. RESISITOR |      |
|   | R674 | NRSA02J-101X | M. G. RESISITOR |      |
|   | R675 | NRSA02J-102X | M. G. RESISITOR |      |
|   | R676 | NRSA02J-102X | M. G. RESISITOR |      |
|   | R677 | NRSA02J-102X | M. G. RESISITOR |      |
|   | R678 | NRSA02J-102X | M. G. RESISITOR |      |
|   | R679 | NRSA02J-102X | M. G. RESISITOR |      |
|   | R680 | NRSA02J-102X | M. G. RESISITOR |      |
|   | R681 | NRSA02J-102X | M. G. RESISITOR |      |
|   | R682 | NRSA02J-102X | M. G. RESISITOR |      |
|   | R683 | NRSA02J-102X | M. G. RESISITOR |      |
|   | R684 | NRSA02J-271X | M. G. RESISITOR |      |
|   | R685 | NRSA02J-102X | M. G. RESISITOR |      |
|   | R686 | NRSA02J-101X | M. G. RESISITOR |      |
|   | R687 | NRSA02J-102X | M. G. RESISITOR |      |
|   | R688 | NRSA02J-101X | M. G. RESISITOR |      |
|   | R689 | NRSA02J-102X | M. G. RESISITOR |      |
|   | R690 | NRSA02J-101X | M. G. RESISITOR |      |
|   | R691 | NRSA02J-101X | M. G. RESISITOR |      |
|   | R692 | NRSA02J-101X | M. G. RESISITOR |      |
|   | R693 | NRSA02J-471X | M. G. RESISITOR |      |
|   | R694 | NRSA02J-102X | M. G. RESISITOR |      |
|   | R801 | NRSA02J-182X | M. G. RESISITOR |      |
|   | R802 | NRSA02J-472X | M. G. RESISITOR |      |
|   | R803 | NRSA02J-222X | M. G. RESISITOR |      |
|   | R804 | NRSA02J-683X | M. G. RESISITOR |      |
|   | R805 | NRSA02J-822X | M. G. RESISITOR |      |
|   | R806 | NRSA02J-223X | M. G. RESISITOR |      |
|   | R807 | NRSA02J-222X | M. G. RESISITOR |      |
|   | R808 | NRSA02J-223X | M. G. RESISITOR |      |
|   | R811 | NRSA02J-473X | M. G. RESISITOR |      |
|   | R831 | NRSA02J-151X | M. G. RESISITOR |      |
|   | R832 | NRSA02J-103X | M. G. RESISITOR |      |
|   | R842 | NRSA02J-473X | M. G. RESISITOR |      |
|   | R851 | NRSA02J-102X | M. G. RESISITOR |      |
|   | R852 | NRSA02J-102X | M. G. RESISITOR |      |
|   | R853 | NRSA02J-102X | M. G. RESISITOR |      |
|   | R854 | NRSA02J-102X | M. G. RESISITOR |      |
|   | R855 | NRSA02J-102X | M. G. RESISITOR |      |
|   | R856 | NRSA02J-102X | M. G. RESISITOR |      |
|   | R859 | NRSA02J-181X | M. G. RESISITOR |      |
|   | R861 | NRSA02J-102X | M. G. RESISITOR |      |
|   | R862 | NRSA02J-102X | M. G. RESISITOR |      |
|   | R863 | NRSA02J-102X | M. G. RESISITOR |      |
|   | R864 | NRSA02J-102X | M. G. RESISITOR |      |
|   | R865 | NRSA02J-102X | M. G. RESISITOR |      |
|   | R866 | NRSA02J-102X | M. G. RESISITOR |      |
|   | R871 | NRSA02J-223X | M. G. RESISITOR |      |
|   | R872 | NRSA02J-223X | M. G. RESISITOR |      |
|   | R873 | NRSA02J-223X | M. G. RESISITOR |      |
|   | R874 | NRSA02J-223X | M. G. RESISITOR |      |
|   | R875 | NRSA02J-223X | M. G. RESISITOR |      |
|   | R876 | NRSA02J-223X | M. G. RESISITOR |      |
|   | R880 | NRSA02J-102X | M. G. RESISITOR |      |
|   | R881 | NRSA02J-102X | M. G. RESISITOR |      |
|   | R882 | NRSA02J-102X | M. G. RESISITOR |      |
|   | R883 | NRSA02J-102X | M. G. RESISITOR |      |
|   | R884 | NRSA02J-102X | M. G. RESISITOR |      |

| △ | Item  | Parts Number | Description      | Area |
|---|-------|--------------|------------------|------|
|   | R885  | NRSA02J-102X | M. G. RESISITOR  |      |
|   | R886  | NRSA02J-102X | M. G. RESISITOR  |      |
|   | R887  | NRSA02J-102X | M. G. RESISITOR  |      |
|   | R890  | NRSA02J-223X | M. G. RESISITOR  |      |
|   | R891  | NRSA02J-223X | M. G. RESISITOR  |      |
|   | R892  | NRSA02J-223X | M. G. RESISITOR  |      |
|   | R893  | NRSA02J-223X | M. G. RESISITOR  |      |
|   | R894  | NRSA02J-223X | M. G. RESISITOR  |      |
|   | R895  | NRSA02J-223X | M. G. RESISITOR  |      |
|   | R896  | NRSA02J-223X | M. G. RESISITOR  |      |
|   | R897  | NRSA02J-223X | M. G. RESISITOR  |      |
|   |       | OTHERS       |                  |      |
|   | L851  | QQL01BK-100Z | INDUCTOR         |      |
|   | L853  | QQL01BK-100Z | INDUCTOR         |      |
|   | L854  | QQL01BK-100Z | INDUCTOR         |      |
|   | X251  | QAX0360-001Z | CRYSTAL          |      |
|   | X651  | QAX0413-001Z | CRYSTAL          |      |
|   | CN151 | QGF1016F1-15 | CONNECT TERMINAL |      |
|   | CN152 | QGA2001F1-12 | CONNECT TERMINAL |      |
|   | CN601 | QGF1016F1-15 | CONNECT TERMINAL |      |
|   | CN651 | QGF1016F1-19 | CONNECT TERMINAL |      |
|   | CN652 | QGF1016F1-05 | CONNECT TERMINAL |      |
|   | CN653 | QGF1016F1-13 | CONNECT TERMINAL |      |
|   | CN801 | QGA2001C1-06 | CONNECTOR        |      |
|   | CN851 | QGD2503F1-03 | CONNECT TERMINAL |      |
|   | CN854 | QGB2016K1-07 | CONNECT TERMINAL |      |
|   | CN855 | QGG2002M4-10 | CONNECT TERMINAL |      |

■Electrical Parts List(CD Select Switch P.C.B.)

| △ | Item  | Parts Number | Description      | Area |
|---|-------|--------------|------------------|------|
|   |       | OTHERS       |                  |      |
|   | CN804 | QGB2016J1-07 | CONNECT TERMINAL |      |
|   | CN805 | QGB2021L1-10 | CONNECT TERMINAL |      |
|   | SW 1  | QSW0507-001  | LEVER SWITCH     |      |
|   | SW 2  | QSW0507-001  | LEVER SWITCH     |      |
|   | SW 3  | QSW0507-001  | LEVER SWITCH     |      |
|   | SW 4  | QSW0507-001  | LEVER SWITCH     |      |
|   | SW 5  | QSW0507-001  | LEVER SWITCH     |      |
|   | SW 6  | QSW0507-001  | LEVER SWITCH     |      |

■Electrical Parts List (Head Amp & Mechanism Control P.C.B.)

| △ | Item  | Parts Number   | Description         | Area |
|---|-------|----------------|---------------------|------|
|   |       | I. C. S        |                     |      |
|   | IC301 | BA3126N        | IC (MONO-ANA)       |      |
|   | IC302 | AN7345K        | IC (M)              |      |
|   | IC303 | BU4094BCF-X    | IC (M)              |      |
|   | IC304 | BU4094BCF-X    | IC (M)              |      |
|   |       | DIODES         |                     |      |
|   | D301  | MA704A-X       | SI DIODE            |      |
|   | D302  | HSM2838C-W     | DIODE               |      |
|   | D307  | HZM5.1NB2-X    | ZEMER DIODE         |      |
|   | D308  | HZM5.1NB2-X    | ZEMER DIODE         |      |
|   | D309  | MA704A-X       | ZEMER DIODE         |      |
|   |       | TRANSISTORS    |                     |      |
|   | Q101  | DTC114TKA-X    | DIGITAL TRANSISTOR  |      |
|   | Q102  | DTC144TKA-X    | DIGITAL TRANSISTOR  |      |
|   | Q103  | DTC144EKA-X    | DIGITAL TRANSISTOR  |      |
|   | Q104  | DTC114TKA-X    | DIGITAL TRANSISTOR  |      |
|   | Q105  | 2SC2001/LK/-T  | SI TRANSISTOR       |      |
|   | Q201  | DTC114TKA-X    | DIGITAL TRANSISTOR  |      |
|   | Q202  | DTC144TKA-X    | DIGITAL TRANSISTOR  |      |
|   | Q203  | DTC144EKA-X    | DIGITAL TRANSISTOR  |      |
|   | Q204  | DTC114TKA-X    | DIGITAL TRANSISTOR  |      |
|   | Q205  | 2SC2001/LK/-T  | SI TRANSISTOR       |      |
|   | Q301  | DTC144TKA-X    | DIGITAL TRANSISTOR  |      |
|   | Q302  | 2SC2001/K/-T   | DIGITAL TRANSISTOR  |      |
|   | Q303  | 2SC2001/K/-T   | DIGITAL TRANSISTOR  |      |
|   | Q304  | 2SC2001/LK/-T  | DIGITAL TRANSISTOR  |      |
|   | Q305  | 2SC2001/LK/-T  | DIGITAL TRANSISTOR  |      |
|   | Q306  | 2SC2412K/RS/-X | SI TRANSISTOR       |      |
|   | Q307  | 2SC2412K/RS/-X | SI TRANSISTOR       |      |
|   | Q308  | 2SC2412K/RS/-X | SI TRANSISTOR       |      |
|   | Q309  | 2SC2412K/RS/-X | SI TRANSISTOR       |      |
|   | Q312  | 2SB562/C/-T    | SI TRANSISTOR       |      |
|   | Q313  | 2SC2412K/RS/-X | SI TRANSISTOR       |      |
|   | Q314  | 2SB562/C/-T    | SI TRANSISTOR       |      |
|   | Q315  | 2SC2412K/RS/-X | SI TRANSISTOR       |      |
|   | Q316  | 2SA952/LK/-T   | SI TRANSISTOR       |      |
|   | Q317  | DTC124EKA-X    | SI TRANSISTOR       |      |
|   | Q318  | DTA144EKA-X    | DIGITAL TRANSISTOR  |      |
|   | Q319  | DTC144EKA-X    | DIGITAL TRANSISTOR  |      |
|   | Q320  | DTC144EKA-X    | DIGITAL TRANSISTOR  |      |
|   | Q321  | DTC144EKA-X    | DIGITAL TRANSISTOR  |      |
|   | Q322  | DTC144EKA-X    | DIGITAL TRANSISTOR  |      |
|   | Q323  | 2SC2412K/RS/-X | SI TRANSISTOR       |      |
|   |       | CAPACITORS     |                     |      |
|   | C101  | NCS21HJ-561X   | 560PF 50V CER. C    |      |
|   | C102  | NCS21HJ-331X   | 330PF 50V CER. C    |      |
|   | C103  | NCS21HJ-561X   | 560PF 50V CER. C    |      |
|   | C104  | NCS21HJ-221X   | 220PF 50V CER. C    |      |
|   | C105  | QEK40JM-227    | 220MF 6.3V AL. E. C |      |
|   | C106  | NCB21HK-333X   | 0.033MF 50V CER. C  |      |
|   | C107  | QEK41EM-475    | 4.7MF 25V AL. E. C  |      |
|   | C108  | NCB21HK-393X   | 0.039MF 50V CER. C  |      |
|   | C109  | NCB21HK-563X   | 0.056MF 50V CER. C  |      |
|   | C110  | NCS21HJ-221X   | 220PF 50V CER. C    |      |
|   | C111  | QEK41HM-104    | 0.1MF 50V AL. E. C  |      |
|   | C112  | QEK41CM-106    | 10MF 16V AL. E. C   |      |
|   | C113  | NCB21HK-332X   | 3300PF 50V CER. C   |      |
|   | C114  | QEK41EM-475    | 4.7MF 25V AL. E. C  |      |
|   | C115  | NCB21HK-153X   | 0.015MF 50V CER. C  |      |
|   | C116  | NCB21HK-822X   | 8200PF 50V CER. C   |      |
|   | C117  | NCB21HK-223X   | 0.022MF 50V CER. C  |      |
|   | C118  | NCB21HK-103X   | 0.01MF 50V CER. C   |      |
|   | C119  | NCB21HK-563X   | 0.056MF 50V CER. C  |      |
|   | C120  | NCS21HJ-330X   | 33PF 50V CER. C     |      |
|   | C201  | NCS21HJ-561X   | 560PF 50V CER. C    |      |
|   | C202  | NCS21HJ-331X   | 330PF 50V CER. C    |      |

| △ | Item | Parts Number | Description         | Area |
|---|------|--------------|---------------------|------|
|   | C203 | NCS21HJ-561X | 560PF 50V CER. C    |      |
|   | C204 | NCS21HJ-221X | 220PF 50V CER. C    |      |
|   | C205 | QEK40JM-227  | 220MF 6.3V AL. E. C |      |
|   | C206 | NCB21HK-333X | 0.033MF 50V CER. C  |      |
|   | C207 | QEK41EM-475  | 4.7MF 25V AL. E. C  |      |
|   | C208 | NCB21HK-393X | 0.039MF 50V CER. C  |      |
|   | C209 | NCB21HK-563X | 0.056MF 50V CER. C  |      |
|   | C210 | NCS21HJ-221X | 220PF 50V CER. C    |      |
|   | C211 | QEK41HM-104  | 0.1MF 50V AL. E. C  |      |
|   | C212 | QEK41CM-106  | 10MF 16V AL. E. C   |      |
|   | C213 | NCB21HK-332X | 3300PF 50V CER. C   |      |
|   | C214 | QEK41EM-475  | 4.7MF 25V AL. E. C  |      |
|   | C215 | NCB21HK-153X | 0.015MF 50V CER. C  |      |
|   | C216 | NCB21HK-822X | 8200PF 50V CER. C   |      |
|   | C217 | NCB21HK-223X | 0.022MF 50V CER. C  |      |
|   | C218 | NCB21HK-103X | 0.01MF 50V CER. C   |      |
|   | C219 | NCB21HK-563X | 0.056MF 50V CER. C  |      |
|   | C220 | NCS21HJ-330X | 33PF 50V CER. C     |      |
|   | C301 | QEK41CM-106  | 10MF 16V AL. E. C   |      |
|   | C302 | QEK41CM-476  | 47MF 16V AL. E. C   |      |
|   | C303 | QEK41CM-226  | 22MF 16V AL. E. C   |      |
|   | C304 | QEK41EM-475  | 4.7MF 25V AL. E. C  |      |
|   | C305 | NCB21HK-393X | 0.039MF 50V CER. C  |      |
|   | C306 | QEK40JM-227  | 220MF 6.3V AL. E. C |      |
|   | C308 | NCB21HK-562X | 5600PF 50V CER. C   |      |
|   | C309 | NCB21HK-562X | 5600PF 50V CER. C   |      |
|   | C310 | NCB21HK-223X | 0.022MF 50V CER. C  |      |
|   | C311 | NCB21HK-682X | 6800PF 50V CER. C   |      |
|   | C313 | QEKJ1AM-107Z | 100MF 10V AL. E. C  |      |
|   | C314 | QCZ0205-155  | 1.5MF 25V CER. C    |      |
|   | C315 | QCZ0205-155  | 1.5MF 25V CER. C    |      |
|   | C316 | QFG32AJ-103Z | 0.01MF 100V CER. C  |      |
|   | C318 | NCB21HK-103X | 0.01MF 50V CER. C   |      |
|   | C319 | QFG32AJ-821Z | 820PF 100V CER. C   |      |
|   | C321 | NCB21HK-103X | 0.01MF 50V CER. C   |      |
|   | C322 | QFG32AJ-152Z | 1500PF 100V CER. C  |      |
|   | C327 | QEK41CM-476  | 47MF 16V AL. E. C   |      |
|   | C328 | NCS21HJ-151X | 150PF 50V CER. C    |      |
|   | C329 | NCS21HJ-151X | 150PF 50V CER. C    |      |
|   | C330 | NCS21HJ-151X | 150PF 50V CER. C    |      |
|   | C332 | NCS21HJ-151X | 150PF 50V CER. C    |      |
|   | C335 | NCB21HK-103X | 0.01MF 50V CER. C   |      |
|   | C336 | NCB21HK-103X | 0.01MF 50V CER. C   |      |
|   | C337 | NCB21HK-103X | 0.01MF 50V CER. C   |      |
|   | C338 | NCB21HK-103X | 0.01MF 50V CER. C   |      |
|   | C339 | QEK41CM-476  | 47MF 16V AL. E. C   |      |
|   | C340 | NCB21HK-103X | 0.01MF 50V CER. C   |      |
|   | C341 | QEKJ1AM-107Z | 100MF 10V AL. E. C  |      |
|   | C342 | QEK41EM-475  | 4.7MF 25V AL. E. C  |      |
|   | C343 | QET41CM-106  | 10MF 16V AL. E. C   |      |
|   | C344 | NCB21HK-472X | 4700PF 50V CER. C   |      |
|   | C345 | NCS21HJ-331X | 330PF 50V CER. C    |      |
|   |      | RESISTORS    |                     |      |
|   | R102 | NRSA02J-102X | M. G. RESISTOR      |      |
|   | R103 | NRSA02J-183X | M. G. RESISTOR      |      |
|   | R105 | NRSA02J-220X | M. G. RESISTOR      |      |
|   | R106 | NRSA02J-392X | M. G. RESISTOR      |      |
|   | R107 | NRSA02J-123X | M. G. RESISTOR      |      |
|   | R108 | NRSA02J-222X | M. G. RESISTOR      |      |
|   | R109 | NRSA02J-152X | M. G. RESISTOR      |      |
|   | R110 | NRSA02J-152X | M. G. RESISTOR      |      |
|   | R111 | NRSA02J-562X | M. G. RESISTOR      |      |
|   | R112 | NRSA02J-122X | M. G. RESISTOR      |      |
|   | R113 | NRSA02J-271X | M. G. RESISTOR      |      |
|   | R114 | NRSA02J-391X | M. G. RESISTOR      |      |
|   | R115 | NRSA02J-332X | M. G. RESISTOR      |      |

## ■Electrical Parts List (Head Amp &amp; Mechanism Control P.C.B.)

| Item | Parts Number  | Description    | Area |
|------|---------------|----------------|------|
| R116 | NRSA02J-182X  | M. G. RESISTOR |      |
| R117 | NRSA02J-332X  | M. G. RESISTOR |      |
| R118 | NRSA02J-152X  | M. G. RESISTOR |      |
| R119 | NRSA02J-203X  | M. G. RESISTOR |      |
| R120 | NRSA02J-102X  | M. G. RESISTOR |      |
| R121 | NRSA02J-122X  | M. G. RESISTOR |      |
| R202 | NRSA02J-102X  | M. G. RESISTOR |      |
| R203 | NRSA02J-183X  | M. G. RESISTOR |      |
| R205 | NRSA02J-220X  | M. G. RESISTOR |      |
| R206 | NRSA02J-392X  | M. G. RESISTOR |      |
| R207 | NRSA02J-123X  | M. G. RESISTOR |      |
| R208 | NRSA02J-222X  | M. G. RESISTOR |      |
| R209 | NRSA02J-152X  | M. G. RESISTOR |      |
| R210 | NRSA02J-152X  | M. G. RESISTOR |      |
| R211 | NRSA02J-562X  | M. G. RESISTOR |      |
| R212 | NRSA02J-122X  | M. G. RESISTOR |      |
| R213 | NRSA02J-271X  | M. G. RESISTOR |      |
| R214 | NRSA02J-391X  | M. G. RESISTOR |      |
| R215 | NRSA02J-332X  | M. G. RESISTOR |      |
| R216 | NRSA02J-182X  | M. G. RESISTOR |      |
| R217 | NRSA02J-332X  | M. G. RESISTOR |      |
| R218 | NRSA02J-152X  | M. G. RESISTOR |      |
| R219 | NRSA02J-203X  | M. G. RESISTOR |      |
| R220 | NRSA02J-102X  | M. G. RESISTOR |      |
| R221 | NRSA02J-122X  | M. G. RESISTOR |      |
| R301 | NRS181J-221X  | M. G. RESISTOR |      |
| R302 | NRS181J-101X  | M. G. RESISTOR |      |
| R304 | NRSA02J-393X  | M. G. RESISTOR |      |
| R305 | NRSA02J-103X  | M. G. RESISTOR |      |
| R306 | NRSA02J-103X  | M. G. RESISTOR |      |
| R307 | NRSA02J-103X  | M. G. RESISTOR |      |
| R308 | NRSA02J-152X  | M. G. RESISTOR |      |
| R309 | NRSA02J-152X  | M. G. RESISTOR |      |
| R310 | NRS181J-B20X  | M. G. RESISTOR |      |
| R311 | NRS181J-B20X  | M. G. RESISTOR |      |
| R313 | NRSA02J-3R3NY | M. G. RESISTOR |      |
| R314 | NRSA02J-223X  | M. G. RESISTOR |      |
| R315 | NRSA02J-100X  | M. G. RESISTOR |      |
| R316 | NRSA02J-223X  | M. G. RESISTOR |      |
| R317 | NRSA02J-100X  | M. G. RESISTOR |      |
| R318 | NRSA02J-123X  | M. G. RESISTOR |      |
| R319 | NRSA02J-152X  | M. G. RESISTOR |      |
| R321 | NRSA02J-123X  | M. G. RESISTOR |      |
| R322 | NRSA02J-152X  | M. G. RESISTOR |      |
| R327 | NRSA02J-474X  | M. G. RESISTOR |      |
| R328 | NRSA02J-222X  | M. G. RESISTOR |      |
| R329 | NRSA02J-222X  | M. G. RESISTOR |      |
| R330 | NRSA02J-0R0X  | M. G. RESISTOR |      |
| R335 | NRSA02J-222X  | M. G. RESISTOR |      |
| R336 | NRSA02J-392X  | M. G. RESISTOR |      |
| R338 | NRSA02J-222X  | M. G. RESISTOR |      |
| R339 | NRSA02J-222X  | M. G. RESISTOR |      |
| R341 | NRSA02J-222X  | M. G. RESISTOR |      |
| R343 | NRSA02J-0R0X  | M. G. RESISTOR |      |
| R345 | NRSA02J-222X  | M. G. RESISTOR |      |
| R346 | NRSA02J-0R0X  | M. G. RESISTOR |      |
| R347 | NRSA02J-392X  | M. G. RESISTOR |      |
| R348 | NRSA02J-222X  | M. G. RESISTOR |      |
| R350 | NRSA02J-472X  | M. G. RESISTOR |      |
| R351 | NRSA02J-151X  | M. G. RESISTOR |      |
| R353 | NRSA02J-472X  | M. G. RESISTOR |      |
| R354 | NRSA02J-151X  | M. G. RESISTOR |      |
| R355 | NRSA02J-332X  | M. G. RESISTOR |      |
| R356 | NRSA02J-103X  | M. G. RESISTOR |      |
| R357 | NRSA02J-103X  | M. G. RESISTOR |      |
| R358 | NRSA02J-123X  | M. G. RESISTOR |      |

| Item  | Parts Number  | Description      | Area |
|-------|---------------|------------------|------|
| R359  | NRSA02J-123X  | M. G. RESISTOR   |      |
| R360  | NRSA02J-433NY | M. G. RESISTOR   |      |
| R361  | NRSA02J-183X  | M. G. RESISTOR   |      |
| R362  | NRSA02J-123X  | M. G. RESISTOR   |      |
| R363  | NRSA02J-183X  | M. G. RESISTOR   |      |
| R364  | NRSA02J-433NY | M. G. RESISTOR   |      |
| R365  | NRSA02J-203X  | M. G. RESISTOR   |      |
| R366  | NRSA02J-123X  | M. G. RESISTOR   |      |
| R367  | NRSA02J-102X  | M. G. RESISTOR   |      |
| R368  | NRSA02J-391X  | M. G. RESISTOR   |      |
| R369  | NRSA02J-391X  | M. G. RESISTOR   |      |
| R371  | NRS181J-222X  | M. G. RESISTOR   |      |
| R374  | NRSA02J-912X  | M. G. RESISTOR   |      |
| R375  | NRSA02J-683X  | M. G. RESISTOR   |      |
| R376  | NRS181J-6R8X  | M. G. RESISTOR   |      |
| VR101 | QVP008-503Z   | 50K V. RESISITOR |      |
| VR201 | QVP008-503Z   | 50K V. RESISITOR |      |
| VR301 | QVP008-103Z   | 10K V. RESISITOR |      |
|       | OTHERS        |                  |      |
| L301  | QQR0620-001   | OSC COIL         |      |
| L303  | QQL01BK-100Z  | INDUCTOR         |      |
| CN301 | QGF1205F1-06  | CONNECTOR        |      |
| CN302 | QGF1205F1-06  | CONNECTOR        |      |
| CN303 | QGB2011M1-10  | CONNECTOR        |      |
| CN304 | QGB2011M1-10  | CONNECTOR        |      |
| CN305 | QGF1205F1-10  | CONNECTOR        |      |
| CN306 | QGF1205F1-11  | CONNECTOR        |      |
| WIRE  | VWS304-10A13K | FLAT WIRE        |      |

## ■Electrical Parts List(Reel Pulse P.C.B)

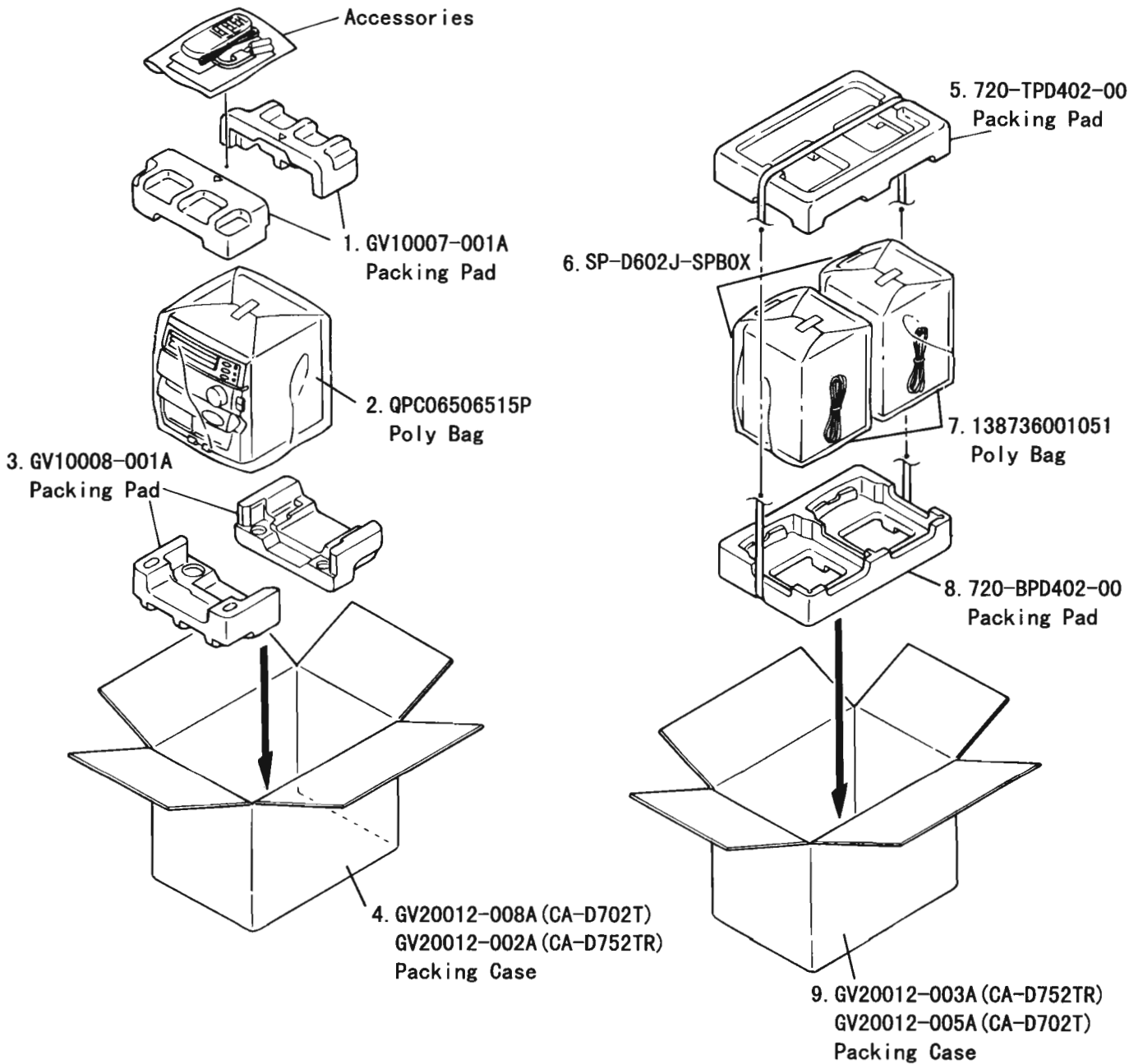
| Item | Parts Number  | Description     | Area |
|------|---------------|-----------------|------|
|      | I. C. S       |                 |      |
| IC 1 | SG-105F3-BB.C | IC(PH SENSOR)   |      |
|      | DIODES        |                 |      |
| D 1  | 1SR139-100-T2 | SI DIODE        |      |
|      | OTHERS        |                 |      |
| P 1  | QN20104-001   | PIN             |      |
| CN 1 | QGB2011L1-10  | PIN PLUG        |      |
| SW 2 | MXS00220MVLO  | CASSETTE SWITCH |      |
| SW 4 | MXS00220MVLO  | CASSETTE SWITCH |      |
| SW 6 | QSW0507-001   | LEVER SWITCH    |      |

## ■Electrical Parts List(Reel Pulse P.C.B)

| Item | Parts Number  | Description     | Area |
|------|---------------|-----------------|------|
|      | I. C. S       |                 |      |
| IC 1 | SG-105F3-BB.C | IC(PH SENSOR)   |      |
|      | DIODES        |                 |      |
| D 1  | 1SR139-100-T2 | SI DIODE        |      |
|      | OTHERS        |                 |      |
| P 1  | QN20104-001   | PIN             |      |
| CN 1 | QGB2011L1-10  | PIN PLUG        |      |
| SW 1 | MXS00220MVLO  | CASSETTE SWITCH |      |
| SW 2 | MXS00220MVLO  | CASSETTE SWITCH |      |
| SW 4 | MXS00220MVLO  | CASSETTE SWITCH |      |
| SW 5 | MXS00220MVLO  | CASSETTE SWITCH |      |
| SW 6 | QSW0507-001   | LEVER SWITCH    |      |

Packing Materials and Accessories Parts List

Block No. M 5 M M



## ■ Accessories Parts List

BLOCK NO.    

| △ | REF. | PARTS NO.      | PARTS NAME      | REMARKS   | QTY | SUFFIX  | CLR |
|---|------|----------------|-----------------|-----------|-----|---------|-----|
|   | A 1  | GVT0004-006A   | INST.BOOK       | CA-D752TR | 1   | E       |     |
|   |      | GVT0004-009A   | INST.BOOK       | CA-D752TR | 1   | EE      |     |
|   |      | GVT0004-003A   | INST.BOOK       | CA-D702T  | 1   | U,UB,US |     |
|   |      | GVT0004-004A   | INST.BOOK       | CA-D702T  | 1   | UP      |     |
|   |      | GVT0004-003A   | INST.BOOK       | CA-D702T  | 1   | UT,UX   |     |
|   |      | GVT0004-007A   | INST.BOOK       | CA-D752TR | 1   | EN      |     |
|   |      | GVT0004-005A   | INST.BOOK       | CA-D702T  | 1   | A       |     |
|   |      | GVT0004-008A   | INST.BOOK       | CA-D752TR | 1   | B       |     |
|   | A 2  | BT-56001-1     | WARRANTY CARD   | CA-D702T  | 1   | A       |     |
|   |      | BT-56004-5     | W.CARD          | CA-D702T  | 1   | UP      |     |
|   |      | BT-54008-1     | WARRANTY CARD   | CA-D752TR | 1   |         |     |
|   | A 4  | ENZ2202-001    | AC PLUG ADAPTER | CA-D702T  | 1   | U,US    |     |
|   | A 5  | VMZ0139-001    | CONTHI PLUG     | CA-D702T  | 1   | UT,UX   |     |
|   | A 6  | QAL0014-001    | AM LOOP ANT     |           | 1   |         |     |
|   | A 7  | EWP201-011     | B. IN ANT       |           | 1   |         |     |
|   | A 8  | RM-SED702TXUKP | REMOCON         | CA-D702T  | 1   |         |     |
|   |      | RM-SED752TRU   | W.LESS REMOCON  | CA-D752TR | 1   |         |     |
|   | A 10 | R6SPTT/2STS    | BATTERY         |           | 2   |         |     |
|   | A 11 | E309758-002    | POLY BAG        |           | 1   |         |     |

**CA-D752T**  
**CA-D752TR**

**JVC**

VICTOR COMPANY OF JAPAN, LIMITED

AUDIO DIVISION, 10-1, 1Chome, Ohwatari-machi, Maebashi-city, 371-8543, Japan